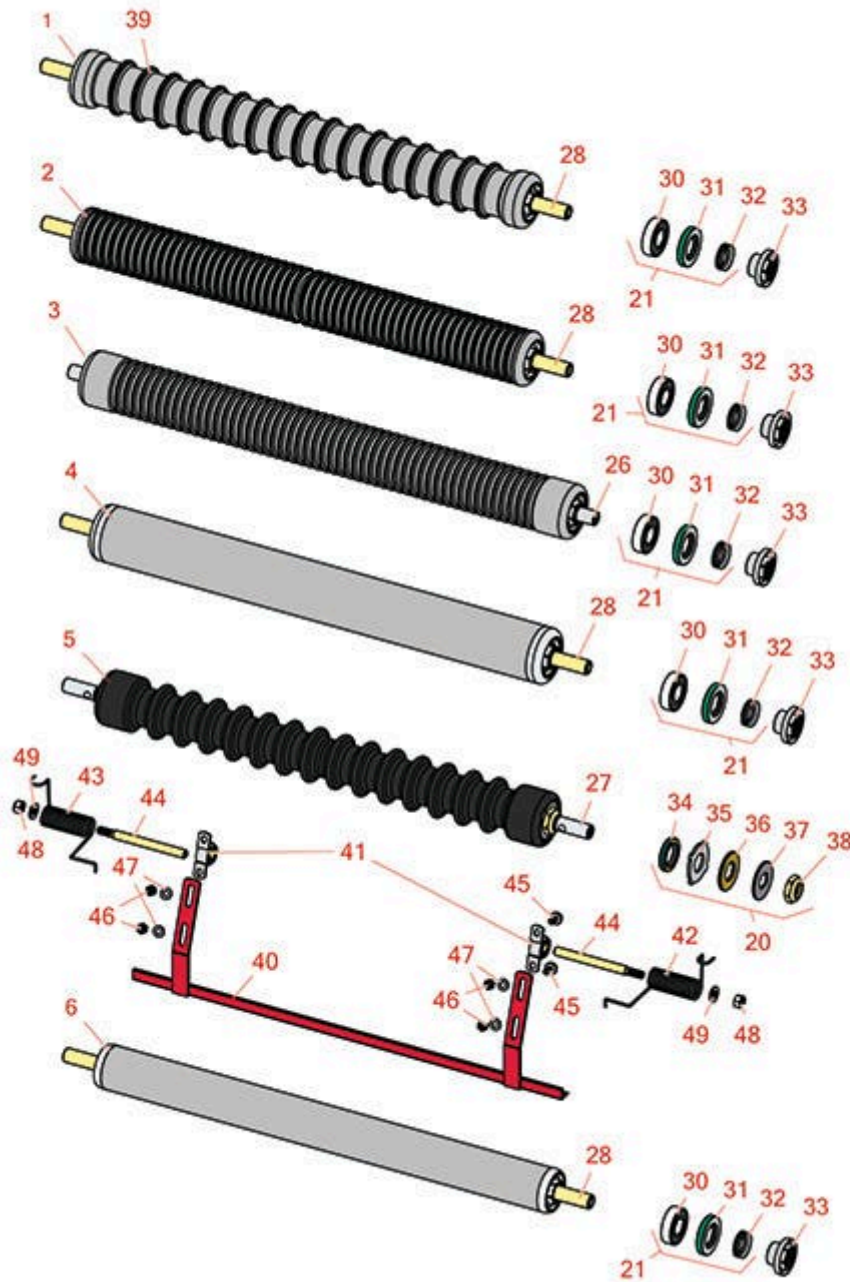




Replaces Toro Greensmaster TriFlex

3400 Parts

DPA Cutting Unit - Models 04651, 04653 & 04655
Rollers



All original equipment manufacturers names and part numbers are used for identification purposes only, and we are in no way implying that our products are original equipment parts. Prices subject to change without notice.



Replaces Toro Greensmaster TriFlex 3400 Parts

DPA Cutting Unit - Models 04651, 04653 & 04655
Rollers



Item No	R&R Part No.	OEM Part No.	Description	Qty Req	Price Each	Order Quantity
---------	--------------	--------------	-------------	---------	------------	----------------

R&R Rollers

1	R115-7386	115-7386	Roller - Wide Grooved Machined Aluminum - 2-1/2 Dia	1	259.95	
---	------------------	----------	-----------------------------------------------------------	---	---------------	--

Tech Note: Constructed with a through shaft, this aluminum roller is machined with 1-1/8" wide grooves for the least amount of ground contact and uses ball bearings.:

2	R115-7360	115-7360	Roller - Narrow Grooved Machined Aluminum - 2 1/2	1	339.85	
---	------------------	----------	------------------------------------------------------	---	---------------	--

Tech Note: Constructed with a through shaft, this aluminum roller is machined with narrow grooves and uses ball bearings.:

3	R121-4675	121-4675	Roller - Extended Machined Grooved	1	359.95	
---	------------------	----------	---------------------------------------	---	---------------	--

4	R115-7388	115-7388	Roller - Smooth Tubular Steel 2-1/2 in Dia	1	250.15	
---	------------------	----------	-----------------------------------------------	---	---------------	--

Tech Note: Constructed with a through shaft, this steel roller uses a through shaft and ball bearings.:

5	R1502650		Roller - Grooved UHMW Polyethylene	1	251.30	
---	-----------------	--	---------------------------------------	---	---------------	--

Tech Note: Machined from solid UHMW, this low maintenance roller rotates around a 1" solid stainless steel shaft and requires no bearings or grease. Patented groove design and smooth UHMW material prevents build-up of debris.:

6	R140-5560	105-5776, 106-6945, 107-3509, 119-4093, 120-9595, 140-5560	Roller - Smooth 2 in Steel Rear	1	163.85	
---	------------------	---------------------------------------------------------------------------	------------------------------------	---	---------------	--

Overhaul Kit

20	R101399		Overhaul Kit - UHMW 2 Pc Roller	1	41.15	
----	----------------	--	------------------------------------	---	--------------	--

All original equipment manufacturers names and part numbers are used for identification purposes only, and we are in no way implying that our products are original equipment parts. Prices subject to change without notice.



Replaces Toro Greensmaster TriFlex 3400 Parts

DPA Cutting Unit - Models 04651, 04653 & 04655
Rollers



Item No	R&R Part No.	OEM Part No.	Description	Qty Req	Price Each	Order Quantity
---------	--------------	--------------	-------------	---------	------------	----------------

Tech Note: Fits all R&R 2-1/2" - 3-1/2" Dia. Black UHMW Plastic Rollers that do not use ball bearings.. Includes 2 ea.: R1503230 Star Washers, R1503470 Seals, R150333 Thrust Washers, R3296-15 Locknuts, R1503471 Bronze Thrust Washers:

21	R107-1594	107-1594	Overhaul Kit - Roller	1	38.45	
----	------------------	----------	-----------------------	---	--------------	--

Tech Note: Includes 2 ea.: R106-6941 Seals, R106-6942 V-Rings & R251-347 Bearings:

Other Parts Available

26	R120-5404	120-5404	Shaft- Roller	1	54.80	
----	------------------	----------	---------------	---	--------------	--

27	R1503361		Shaft - 1 SS Front Roller 2 Pc	1	78.95	
----	-----------------	--	--------------------------------	---	--------------	--

28	R119-4090	119-4090	Shaft - Roller - Hardened	1	62.15	
----	------------------	----------	---------------------------	---	--------------	--

28	R106-6940	106-6940	Shaft	1	48.55	
----	------------------	----------	-------	---	--------------	--

30	R251-347	251-347, 72-5690	Bearing - Ball	2	8.10	
----	-----------------	---------------------	----------------	---	-------------	--

31	R106-6941	106-6941	Seal - Double Lip	2	4.55	
----	------------------	----------	-------------------	---	-------------	--

32	R106-6942	106-6942	V-Ring - Roller	2	5.85	
----	------------------	----------	-----------------	---	-------------	--

33	R108-3151	106-6939, 108-3151	Locknut - Roller - Stainless	2	15.55	
----	------------------	-----------------------	------------------------------	---	--------------	--

34	R1503470		Seal - Inner Wiper	2	5.85	
----	-----------------	--	--------------------	---	-------------	--

35	R1503230		Washer - Thrust Outer Keyed	2	6.05	
----	-----------------	--	--------------------------------	---	-------------	--

36	R1503471		Washer - Thrust SAE660 Bronze	2	4.20	
----	-----------------	--	----------------------------------	---	-------------	--

37	R150333		Washer - Flat Keyed Outer SS	2	5.15	
----	----------------	--	---------------------------------	---	-------------	--

38	R3296-15	116-7306, 32118-5, 32127-23, 32127-47, 3296-15	Locknut - 3/4-16 Nylon Jam	2	2.15	
----	-----------------	------------------------------------------------------------	----------------------------	---	-------------	--

All original equipment manufacturers names and part numbers are used for identification purposes only, and we are in no way implying that our products are original equipment parts. Prices subject to change without notice.



Replaces Toro Greensmaster TriFlex 3400 Parts

*DPA Cutting Unit - Models 04651, 04653 & 04655
Rollers*



Item No	R&R Part No.	OEM Part No.	Description	Qty Req	Price Each	Order Quantity
39	R99-6216	99-6216	Tube - Grooved - 1 1/8 Spacing	1	132.95	
40	R106-9095-01	106-9095-01	Scraper - Assy	3	61.45	
41	R256-239	256-239	Bearing	6	2.55	
42	R106-9093	106-9093	Spring - RH - SS	3	6.80	
43	R106-9094	106-9094	Spring - LH - SS	3	6.80	
44	R106-9091	106-9091	Pin - Scraper	6	7.50	
45	R33113-016	33113-016, 48-7620	Bolt - Hex Washer M6-1.0 x 12	12	0.48	
46	R33023-00	33023-00, 48-7900, 49-7810	Locknut - ESNA 6mm x 1.0	12	0.29	
47	R6050-103	48-8010, 48-8030	Washer - Flat	12	0.23	
48	R33024-00	33024-00	Locknut - 8mm x 1.25	6	0.67	
49	R33094-00	33094-00, 93-5914	Washer - Flat - 8mm Hardened	6	0.12	

All original equipment manufacturers names and part numbers are used for identification purposes only, and we are in no way implying that our products are original equipment parts. Prices subject to change without notice.