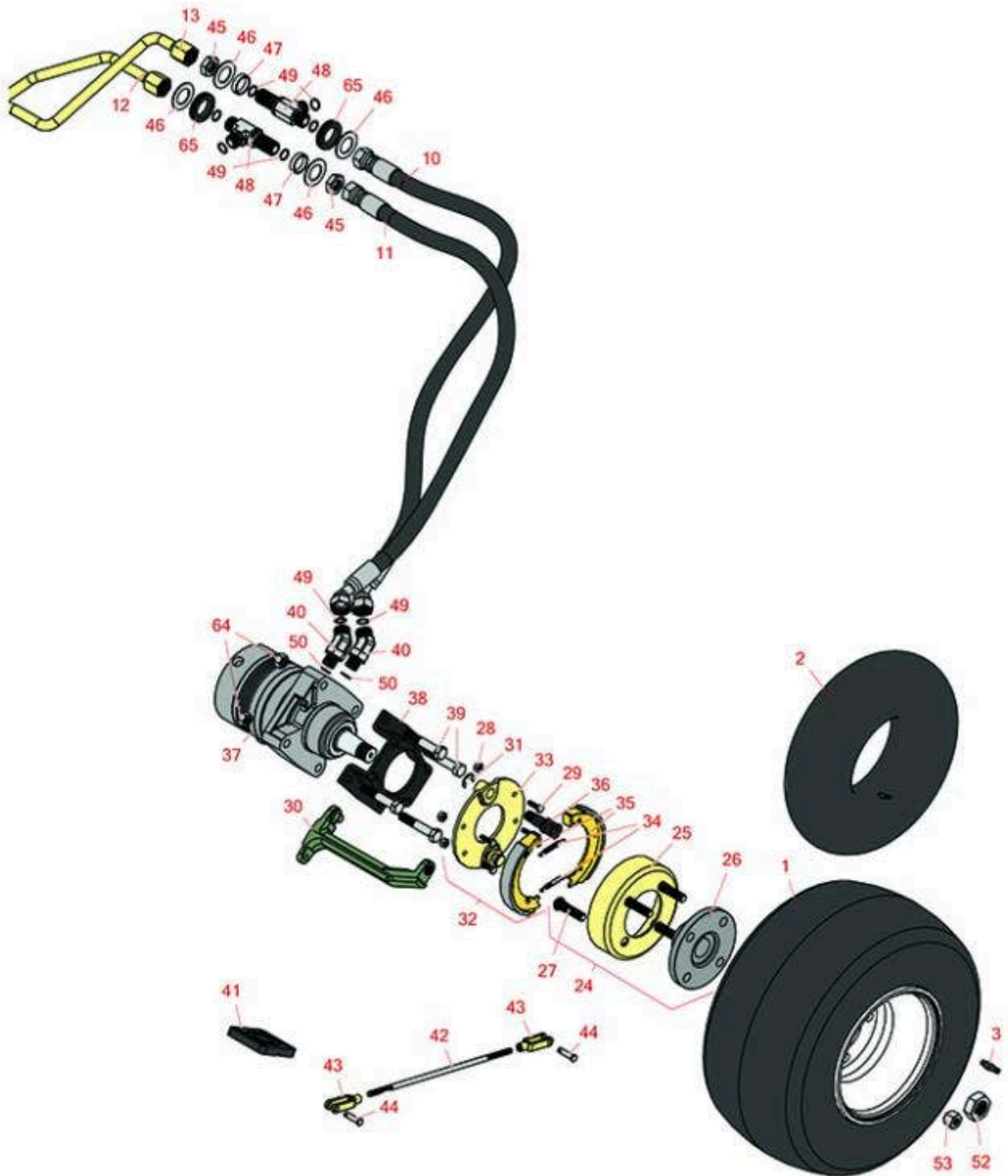




Replaces Toro Greensmaster 3120 Parts

Traction Unit
Front Wheel



All original equipment manufacturers names and part numbers are used for identification purposes only, and we are in no way implying that our products are original equipment parts. Prices subject to change without notice.



Replaces Toro Greensmaster 3120 Parts

Traction Unit
Front Wheel



Item No	R&R Part No.	OEM Part No.	Description	Qty Req	Price Each	Order Quantity
Tires						
1	R217-60	217-60, 242-49	Wheel - with Valve Stem - White	2	59.05	
2	R700141	232-37, 232-47	Tube - 18x6.50/7.50/8.50/9.50-8 TR13	2	10.30	
3	R232-27	232-27, 232-31	Stem - Valve w/ Cap	2	4.15	
Hoses						
10	R105-4336	105-4336	Hydraulic Hose Assy	1	105.55	
<i>Tech Note: Ser# 316000501-401320000:</i>						
10	R138-4975	138-4975	Hydraulic Hose Assy - Hp	1	98.85	
<i>Tech Note: Ser# 403410001-999999999:</i>						
11	R105-4333	105-4333	Hydraulic Hose Assy	1	116.80	
12	R112-0204	112-0204	Tube-Hyd	1	62.05	
13	R112-0203	112-0203	Tube-Hyd	1	57.60	
Other Parts Available						
24	R10-6821	10-6820, 10-6821, Oct-20	Hub and Drum Assy	2	149.63	
25	R10-6850	10-6850	Drum - Brake	2	90.57	
26	R10-6870-03	10-6870, 10-6870-03, Oct-70	Hub - Wheel	2	132.30	
27	R85-6540	85-6540	Stud - Drive 1/2-20 x 2	8	7.95	

All original equipment manufacturers names and part numbers are used for identification purposes only, and we are in no way implying that our products are original equipment parts. Prices subject to change without notice.



Replaces Toro Greensmaster 3120 Parts

Traction Unit
Front Wheel



Item No	R&R Part No.	OEM Part No.	Description	Qty Req	Price Each	Order Quantity
28	R301504	2296-42, 301504, 32127-24, 32128-33, 32146-17, 3296-16, 3296-42, 3296-42 , 915661P	Locknut - ESNA 1/4-20	8	0.18	
29	R321-5	321-31, 321-5	Bolt - Hex HD 1/4-20 x 7/8	8	0.29	
30	R93-2096	71-1510, 93-2096	Arm - Brake	2	49.95	
31	R150513	104-7706	E - Clip - Brake Assy	4	0.55	
32	R71-1500	104-7705, 71-1500	Brake Assy	2	101.35	
33	R70-9870	70-9870	Plate - Backing	2	111.80	
34	R70-9880	70-9880	Spring - Brake Shoe	4	4.85	
35	R70-9840	70-9840	Shoe - Brake	4	23.65	
36	R104-7707	104-7707, 104-7708, 70-9850, 70-9860	Cam - Brake	2	39.45	
37	R110-4015	110-4015	Hydraulic Motor - LH Wheel	1	1065.85	
<i>Tech Note: (shown):</i>						
37	R110-4016	110-4016	Hydraulic Motor - RH Wheel	1	1065.85	
38	R84-2000-03	84-2000, 84-2000-03	Bracket - Brake	2	27.10	
39	R325-11	01-150-0330, 20-92-AGD, 325-11, 325-9	Bolt - Hex HD 1/2-13 x 2-3/4	8	2.35	

All original equipment manufacturers names and part numbers are used for identification purposes only, and we are in no way implying that our products are original equipment parts. Prices subject to change without notice.



Replaces Toro Greensmaster 3120 Parts

*Traction Unit
Front Wheel*



Item No	R&R Part No.	OEM Part No.	Description	Qty Req	Price Each	Order Quantity
40	R340-14	340-14, 96-0861	Hydraulic Fitting - 45 Deg	4	21.90	
41	R93-7629	27-7570, 27-7580, 49-6170, 93-7629, 93-8743	Rubber Foot Pad - Brake	1	6.45	
42	R27-2270	27-2270	Rod - Adjustment	1	16.30	
43	R282-2	1-303105, 282-2	Yoke	2	15.15	
44	R283-61	283-61, 86-2140, N/A, R3296-12	Pin - Clevis 5/16 x 1-1/8	2	0.78	
45	R340-74	340-74	Locknut - Bulkhead	2	5.05	
46	R69-9010	69-9010, 9-9010	Washer	4	2.40	
47	R69-9000	125-1984, 69-9000	Spacer	4	8.95	
48	R94-5350	94-5350	Tee-Bulkhead	2	144.60	
49	R237-65	237-65, 237.65	O-Ring	10	0.65	
50	R237-80	237-80, 327-80	O-Ring	4	1.85	
52	R26-3790	26-3790	Nut - Hex - Wheel Motor 1-20	2	14.75	
53	R242-50	242-50	Nut - 1/2-20 Wheel	8	1.50	
64	RF5003	32127-29, 32131-5, 32132-5, 3296-23	Locknut - ESNA 1/2-13	8	0.78	

All original equipment manufacturers names and part numbers are used for identification purposes only, and we are in no way implying that our products are original equipment parts. Prices subject to change without notice.



Replaces Toro Greensmaster 3120 Parts

*Traction Unit
Front Wheel*



Item No	R&R Part No.	OEM Part No.	Description	Qty Req	Price Each	Order Quantity
65	R240-3	240-3	Grommet- Rubber	2	9.60	

All original equipment manufacturers names and part numbers are used for identification purposes only, and we are in no way implying that our products are original equipment parts. Prices subject to change without notice.