

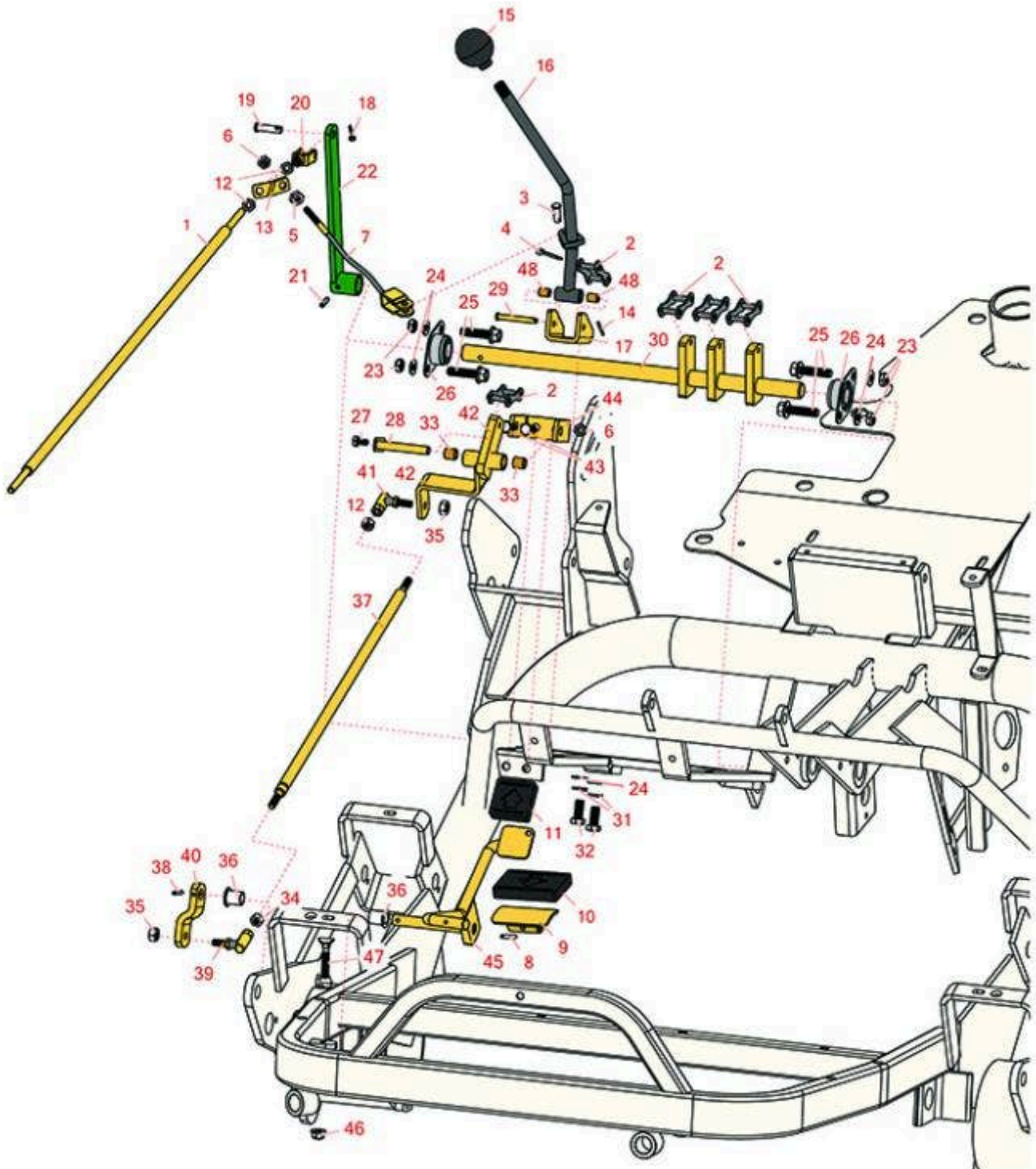


# Replaces R&R Products Versa-Green

## 2160D Parts

Traction Unit

Traction Control



All original equipment manufacturers names and part numbers are used for identification purposes only, and we are in no way implying that our products are original equipment parts. Prices subject to change without notice.



# Replaces R&R Products Versa-Green

## 2160D Parts

*Traction Unit*

*Traction Control*



Item No	R&R Part No.	OEM Part No.	Description	Qty Req	Price Each	Order Quantity
1	<b>R49-5430</b>		Control Rod - Cutting Lever	1	<b>42.45</b>	
2	<b>R57-6220</b>		Link - Connecting	5	<b>3.45</b>	
3	<b>R283-62</b>		Pin - Clevis 5/16 x 3/4	1	<b>0.74</b>	
4	<b>R3272-10</b>	R01-151-0120	Pin - Cotter 1/8 x 3/4	1	<b>0.13</b>	
5	<b>R443106</b>	3218-2, 443106, R01-188-0518, R09003, R22-12-AJD, R32111-4, R3217-4, R3217-6, R513295, R513412, R915112P, R915978, R915979	Nut - 5/16-18 Y/Zinc Plated	1	<b>0.19</b>	
6	<b>R3296-29</b>	3296-29, R1-804256, R915662P	Locknut - 5/16-18 ESNA	3	<b>2.95</b>	
7	<b>R93-9937</b>		Traction Cable Assy	1	<b>14.75</b>	
8	<b>R32121-45</b>	R32121-113, R32121-92	Pin - Spring Roll 5/32 x 1	1	<b>0.24</b>	
9	<b>R49-6440-03</b>	R117-9507, R49-6440	Pedal - Forward Assy	1	<b>34.80</b>	
10	<b>R74-9100</b>		Rubber Foot Pad - Forward	1	<b>10.95</b>	
11	<b>R74-9110</b>		Rubber Foot Pad - Reverse	1	<b>9.30</b>	
12	<b>R3220-2</b>	R01-191-0524	Nut - Jam - 5/16-24	3	<b>0.50</b>	
13	<b>R93-9936</b>		Bracket - Traction Cable	1	<b>5.15</b>	

All original equipment manufacturers names and part numbers are used for identification purposes only, and we are in no way implying that our products are original equipment parts. Prices subject to change without notice.



# Replaces R&R Products Versa-Green

## 2160D Parts

*Traction Unit*

*Traction Control*



Item No	R&R Part No.	OEM Part No.	Description	Qty Req	Price Each	Order Quantity
14	<b>R1023-4</b>	R01-151-0150, R19-6220, R214-14, R215-54, R28-9-D, R3272-4, R3272-6, R460014, R513567, R932008P, RZS04061-02	Pin - Cotter 3/32 x 3/4	1	<b>0.23</b>	
15	<b>R233-48</b>	R233-24, R30-3370	Knob	1	<b>6.50</b>	
16	<b>R93-9934</b>	R93-9934-01	Traction Handle	1	<b>40.10</b>	
17	<b>R49-6220</b>		Bracket - Arm	1	<b>18.65</b>	
18	<b>R11M7012</b>		Pin - Cotter 1/8 x 5/8	1	<b>0.23</b>	
19	<b>R283-61</b>	R86-2140	Pin - Clevis 5/16 x 1-1/8	1	<b>0.78</b>	
20	<b>R282-2</b>	R1-303105	Yoke	1	<b>15.15</b>	
21	<b>R32121-6</b>		Pin - Roll 3/16 x 1-1/4	1	<b>0.46</b>	
22	<b>R47-5320G</b>		Lever Assy - Traction Control	1	<b>38.70</b>	
23	<b>R3296-59</b>		Locknut - 3/8-16 Nylon Jam	4	<b>0.65</b>	

All original equipment manufacturers names and part numbers are used for identification purposes only, and we are in no way implying that our products are original equipment parts. Prices subject to change without notice.



# Replaces R&R Products Versa-Green

## 2160D Parts

Traction Unit

Traction Control



Item No	R&R Part No.	OEM Part No.	Description	Qty Req	Price Each	Order Quantity
24	<b>R453011</b>	3256-24, 453011, R01-166-0100, R01-166-0120, R01-166-0270, R01-166-0500, R01-166-0600, R01-166-0620, R132-4593, R237-12, R24-10-AD, R24-11-AD, R24-11-BD, R24-12-AD, R24-12-BD, R30-9310, R32-8190, R3256-24, R3256-3, R3256-36, R3256-4, R47-9950	Washer - Flat 3/8 SAE Y/Zinc	6	<b>0.11</b>	
25	<b>R3234-19</b>		Bolt - Hex Washer 3/8-16x1-3/4	4	<b>1.75</b>	
26	<b>R27-2320</b>		Bearing	2	<b>15.15</b>	
27	<b>R12-3270</b>	R30-0700, R32104-17, R8-3880, R9266714	Bolt - Hex Washer 1/4-20 x 1/2	1	<b>1.45</b>	
28	<b>R49-6290</b>	R49-6300, R49-6310	Pin	1	<b>11.30</b>	
29	<b>R1023-3</b>	R283-57	Pin - Clevis 1/4 x 1-7/8	1	<b>0.97</b>	
30	<b>R44-0870</b>		Cam Shaft Assy - Traction Control	1	<b>78.80</b>	

All original equipment manufacturers names and part numbers are used for identification purposes only, and we are in no way implying that our products are original equipment parts. Prices subject to change without notice.



# Replaces R&R Products Versa-Green

## 2160D Parts

Traction Unit

Traction Control



Item No	R&R Part No.	OEM Part No.	Description	Qty Req	Price Each	Order Quantity
31	<b>R3254-6</b>	446142, R01-166-0010, R01-166-0280, R01-166-0610, R12H304, R3253-5, R3254-18, R3290-223, R446140, R446142, R48-9370	Washer - Lock 3/8	2	<b>0.08</b>	
32	<b>R400296</b>		Bolt - Hex HD 3/8-24 x 7/8	2	<b>0.70</b>	
33	<b>R256-2</b>		Bushing - Idler Pulley	2	<b>3.25</b>	
34	<b>R3220-20</b>		Nut - Jam - 5/16-24 LH	1	<b>0.94</b>	
35	<b>R444754</b>	R000210	Locknut - 5/16-24 Center	2	<b>0.43</b>	
36	<b>R256-155</b>	R265-155	Bushing - Flanged	2	<b>3.45</b>	
37	<b>R83-0580</b>		Rod - Control - Traction	1	<b>26.55</b>	
38	<b>R32121-51</b>		Pin - Spring Roll 5/32 x 1-1/8	1	<b>0.72</b>	
39	<b>R2411-42</b>		Ball Joint - LH	1	<b>10.40</b>	
40	<b>R83-0630</b>		Traction Arm - Pivot	1	<b>15.90</b>	
41	<b>R2411-43</b>	R2411-33, R37-9570	Ball Joint - RH	1	<b>9.65</b>	
42	<b>R49-6260</b>	R49-6260-01	Pivot Assy	1	<b>40.10</b>	
43	<b>R322-5</b>	322-5, R01-178-0508, R19H1905, R20-26-AD, R20-26-AGD, R30-9000, R400188, R513341, R519755, R908019P	Bolt - Hex HD 5/16-18 x 1	2	<b>0.40</b>	

All original equipment manufacturers names and part numbers are used for identification purposes only, and we are in no way implying that our products are original equipment parts. Prices subject to change without notice.



# Replaces R&R Products Versa-Green

## 2160D Parts

*Traction Unit*

*Traction Control*



Item No	R&R Part No.	OEM Part No.	Description	Qty Req	Price Each	Order Quantity
44	<b>R49-6250</b>		Bracket - Pivot	1	<b>10.35</b>	
45	<b>R83-0540G</b>	R83-0540, R83-0540-01	Traction Pedal Assy - Plated	1	<b>41.15</b>	
46	<b>R445722</b>	R30-8980, R32128-2, R32128-20	Nut - Serrated Washer	1	<b>0.66</b>	
47	<b>R17-9420</b>	R17-9426, R49-6480	Bolt - Contour Plow Bolt	1	<b>3.45</b>	
48	<b>R256-251</b>		Bushing	2	<b>2.45</b>	

All original equipment manufacturers names and part numbers are used for identification purposes only, and we are in no way implying that our products are original equipment parts. Prices subject to change without notice.