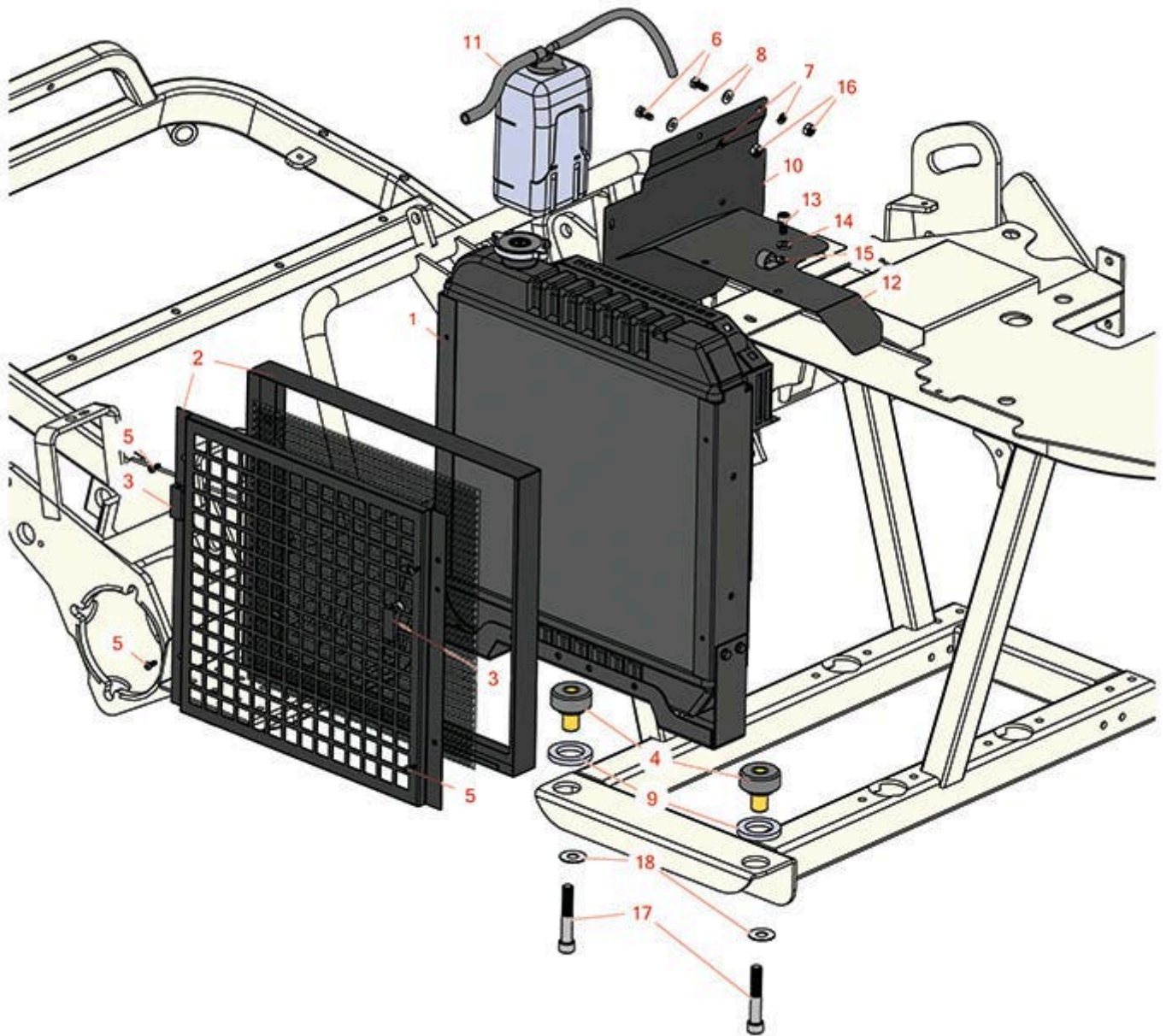




Replaces R&R Products Versa-Green

2160D Parts

Traction Unit
Radiator



All original equipment manufacturers names and part numbers are used for identification purposes only, and we are in no way implying that our products are original equipment parts. Prices subject to change without notice.



Replaces R&R Products Versa-Green

2160D Parts

Traction Unit
Radiator



Item No	R&R Part No.	OEM Part No.	Description	Qty Req	Price Each	Order Quantity
1	R79000385		Radiator - Fits Kubota D902	1	837.94	
2	R150810		Screen Assy - Raditor	1	108.10	
3	R74-5950	R150233, R249-48	Latch - Swell	2	13.15	
4	R65500002		Isolator - Radiator	2	18.05	
5	R150778		Screw - Button HD Soc CS 10-24x3/8	4	0.32	
6	R400106	R321-3, R513315, R908002P	Bolt - Hex HD 1/4-20 x 5/8	2	0.28	
7	R3253-3	446130, R01-166-0070, R01-166-0410, R23-9-GD, R24-7150, R352-167, R446128, R446130	Washer - Lock 1/4	2	0.11	
8	R453023	R3256-1, R3256-72	Washer - Flat 1/4	2	0.12	
9	R150818		Spacer - Radiator Mounting	2	3.85	
10	R150825		Heat Shield - Radiator Side	1	30.95	
11	RX1905972092	RX1905972090, RX7000073350	Kubota Kit - Reserve Tank	1	64.20	
12	R150824		Heat Shield - Radiator Top	1	24.60	
13	R150816		Bolt - M8 x 1.25 x 16 Shcs	2	1.55	
14	R446136	446136, R446134	Washer - Lock 5/16 Zinc	2	0.14	
15	R2412-41		Clamp	2	4.80	

All original equipment manufacturers names and part numbers are used for identification purposes only, and we are in no way implying that our products are original equipment parts. Prices subject to change without notice.



Replaces R&R Products Versa-Green

2160D Parts

Traction Unit

Radiator



Item No	R&R Part No.	OEM Part No.	Description	Qty Req	Price Each	Order Quantity
16	R301504	R32127-24, R32146-17, R3296-16, R3296-42, R915661P, RM40333	Locknut - ESNA 1/4-20	2	0.18	
17	R150817		Bolt - M12 x 1.75 x 70 Shcs	2	3.40	
18	R453017	3256-26, R01-166-0050, R01-166-0240, R01-166-0800, R24-13-AD, R24-14-AD, R32-8110, R3256-6, R452012, R69-8980	Washer - Flat 1/2	2	0.28	

All original equipment manufacturers names and part numbers are used for identification purposes only, and we are in no way implying that our products are original equipment parts. Prices subject to change without notice.