

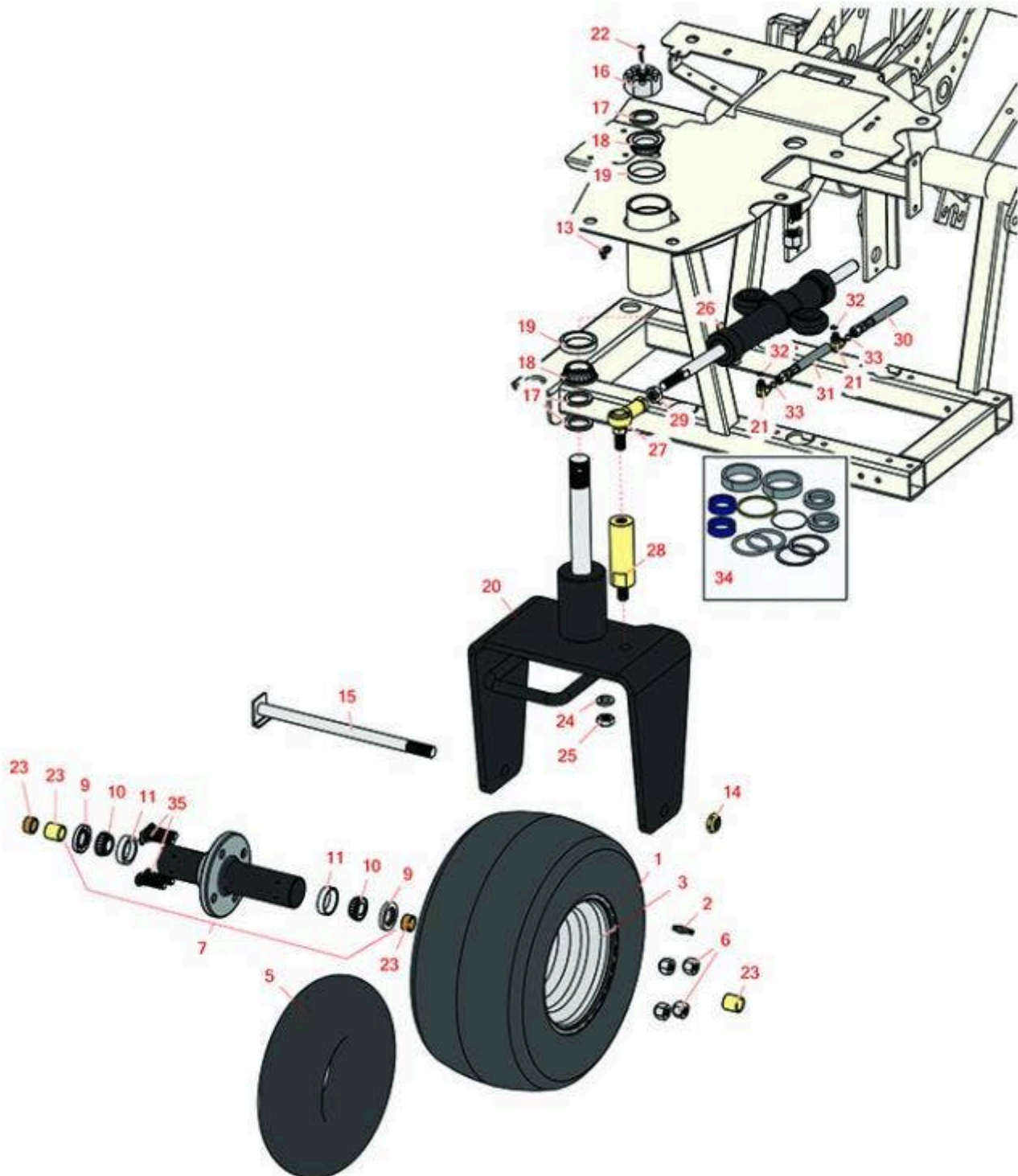


# Replaces R&R Products Versa-Green

## 2160D Parts

Traction Unit

Rear Wheel



All original equipment manufacturers names and part numbers are used for identification purposes only, and we are in no way implying that our products are original equipment parts. Prices subject to change without notice.



# Replaces R&R Products Versa-Green 2160D Parts

*Traction Unit  
Rear Wheel*



Item No	R&R Part No.	OEM Part No.	Description	Qty Req	Price Each	Order Quantity
---------	--------------	--------------	-------------	---------	------------	----------------

## Other Parts Available

1	<b>R150807</b>		Tire and Wheel Assy - Rear - White	1	<b>177.80</b>	
2	<b>R232-27</b>	R232-31, R360111	Stem - Valve w/ Cap	1	<b>4.15</b>	
3	<b>R150808</b>		Wheel - Rear - Black	1	<b>106.80</b>	
5	<b>R700141</b>	R232-37, R232-47, R700131	Tube - 18x6.50/7.50/8.50/9.50-8 TR13	1	<b>10.30</b>	
6	<b>R242-50</b>		Nut - 1/2-20 Wheel	4	<b>1.50</b>	
7	<b>R72-9710</b>		Hub Assy - Rear Tire	1	<b>45.30</b>	
9	<b>R253-111</b>	R253-108, RE1029	Seal	2	<b>5.30</b>	
10	<b>R254-78</b>	R01-102-0060, R01-102-0130, R255815, R32-7790, R32-9580, R385174, R4121174, R4135152, R70030-50302, R93-4813, RB4512, RG-373, RJD8188	Tapered Bearing Cone	2	<b>6.05</b>	

All original equipment manufacturers names and part numbers are used for identification purposes only, and we are in no way implying that our products are original equipment parts. Prices subject to change without notice.



# Replaces R&R Products Versa-Green 2160D Parts

Traction Unit  
Rear Wheel



Item No	R&R Part No.	OEM Part No.	Description	Qty Req	Price Each	Order Quantity
11	<b>R254-79</b>	R01-103-0060, R01-103-0130, R1-633584, R252-106, R255820, R32-7800, R32-9590, R4121175, R70030-50301, R808088, RB4015, RG-372, RJD8226	Cup - Bearing	2	<b>3.20</b>	
<i>Tech Note: Use R254-79M installation mandrel to properly install race.:</i>						
13	<b>R700414</b>	R302-11, R302-4, R32-8170	Zerk - Grease 1/4-28 45 Deg	3	<b>0.76</b>	
14	<b>R3296-15</b>	367029, R1503473, R32118-5, R32127-23, R32127-47, R367029, R445748, RG-371, RN101345	Locknut - 3/4-16 Nylon Jam	1	<b>2.15</b>	
15	<b>R70-8370</b>		Bolt - Axle - Steering Fork	1	<b>32.85</b>	
16	<b>R32136-9</b>		Nut - 1-1/4-12 Slotted	1	<b>6.30</b>	
17	<b>R18-6320</b>		Washer - Steering Fork	3	<b>3.15</b>	
18	<b>R254-70</b>	R115-9472	Tapered Bearing Cone - w/Seal	2	<b>19.40</b>	
19	<b>R254-61</b>	R01-103-0090, R115-9471, R254-69, R32-8140, R92-0611, R93-4850	Cup	2	<b>6.70</b>	
20	<b>R150293</b>		Caster Fork - Fits R&R Diesel	1	<b>355.45</b>	

All original equipment manufacturers names and part numbers are used for identification purposes only, and we are in no way implying that our products are original equipment parts. Prices subject to change without notice.



# Replaces R&R Products Versa-Green 2160D Parts

*Traction Unit  
Rear Wheel*



Item No	R&R Part No.	OEM Part No.	Description	Qty Req	Price Each	Order Quantity
21	<b>R340-132</b>		Hydraulic Fitting - 90 Deg	2	<b>14.40</b>	
22	<b>R3272-37</b>		Pin - Cotter 1/4 x 2-1/2	1	<b>0.54</b>	
23	<b>R150589</b>		Spacer - Rear Wheel - Diesel	2	<b>10.85</b>	
24	<b>RF104</b>	R01-166-0020, R01-166-1010, R23-15-GD, R30-8480, R3253-8, R48-9400	Washer - Lock 5/8	1	<b>0.46</b>	
25	<b>R443828</b>	R01-191-1018, R3220-6, R915089P	Nut - 5/8-18 Hex	1	<b>0.62</b>	
26	<b>R150587</b>		Hydraulic Cylinder - Steering	1	<b>595.65</b>	
27	<b>R150288</b>		Rod End Assy - Steering Cylinder	1	<b>42.75</b>	
28	<b>R150295</b>		Stand Off - Steering Cyl	1	<b>28.05</b>	
29	<b>RF102</b>	R01-188-1210, R01-192-0290, R3217-12	Locknut - 3/4-10 ESNA L/Nut	1	<b>1.90</b>	
30	<b>R150635</b>		Hydraulic Hose Assy - Steering Cylinder	1	<b>40.45</b>	
31	<b>R150636</b>		Hydraulic Hose Assy - Steering Cylinder	1	<b>52.95</b>	
32	<b>R237-22</b>	R107-8844, R232-72, R237-78	O-Ring	2	<b>0.62</b>	
33	<b>R237-21</b>		O-Ring	2	<b>0.47</b>	
34	<b>R83-2380</b>		Seal Kit - Fits R105-0411 Steering Cyl	1	<b>101.90</b>	
35	<b>R10-6830S</b>		Stud - Drive - Hub	4	<b>1.50</b>	

All original equipment manufacturers names and part numbers are used for identification purposes only, and we are in no way implying that our products are original equipment parts. Prices subject to change without notice.