

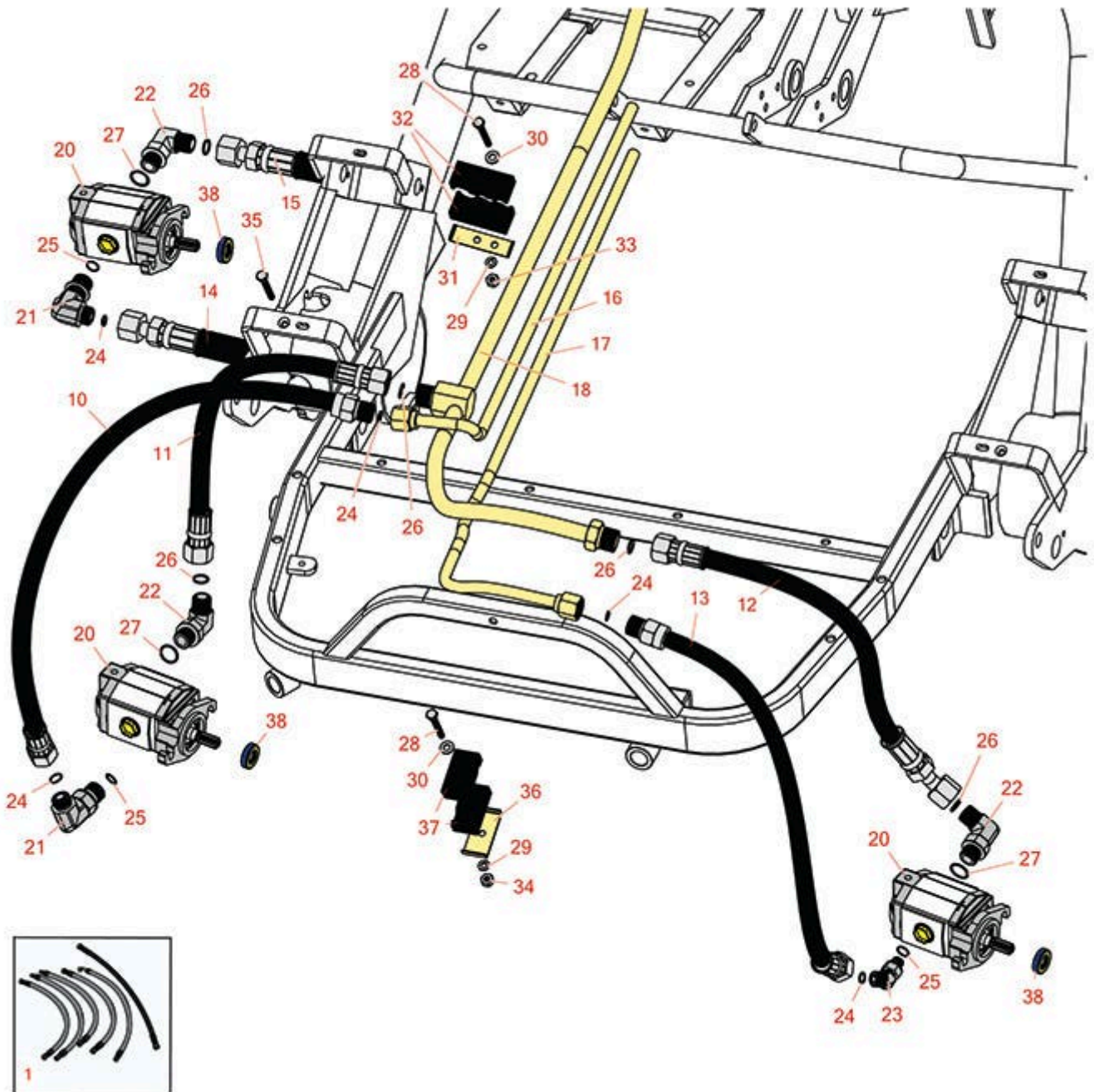


# Replaces R&R Products Versa-Green

## 2160D Parts

Traction Unit

Hydraulic Lines & Motors



All original equipment manufacturers names and part numbers are used for identification purposes only, and we are in no way implying that our products are original equipment parts. Prices subject to change without notice.



# Replaces R&R Products Versa-Green

## 2160D Parts

Traction Unit

Hydraulic Lines & Motors



Item No	R&R Part No.	OEM Part No.	Description	Qty Req	Price Each	Order Quantity
---------	--------------	--------------	-------------	---------	------------	----------------

### Overhaul Kits

1	<b>R98-0642</b>		Kit - Hydraulic Hose	0	<b>0.00</b>	
---	-----------------	--	----------------------	---	-------------	--

*Tech Note: Includes 1 ea: R95-5984, R95-5985, R95-5986, R95-5987, R95-5988, R95-5989:*

### Hoses

10	<b>R95-5984</b>	R150628	Hydraulic Hose Assy - RH Pressure	1	<b>58.60</b>	
----	-----------------	---------	-----------------------------------	---	--------------	--

11	<b>R95-5985</b>	R150629, R63-3820	Hydraulic Hose Assy	1	<b>41.95</b>	
----	-----------------	----------------------	---------------------	---	--------------	--

12	<b>R150630</b>		Hydraulic Hose Assy - LH Return	1	<b>37.60</b>	
----	----------------	--	---------------------------------	---	--------------	--

13	<b>R150634</b>		Hydraulic Hose Assy - LH Pressure	1	<b>41.65</b>	
----	----------------	--	-----------------------------------	---	--------------	--

14	<b>R150633</b>		Hydraulic Hose Assy - Rear Pressure	1	<b>60.95</b>	
----	----------------	--	-------------------------------------	---	--------------	--

15	<b>R150631</b>		Hose - Rear Motor Return	1	<b>41.75</b>	
----	----------------	--	--------------------------	---	--------------	--

16	<b>R63-4030</b>		Tube - Hyd	1	<b>90.90</b>	
----	-----------------	--	------------	---	--------------	--

17	<b>R63-4020</b>		Tube - Hyd	1	<b>102.80</b>	
----	-----------------	--	------------	---	---------------	--

18	<b>R100-6431</b>	R63-4040	Tube - Return	1	<b>126.85</b>	
----	------------------	----------	---------------	---	---------------	--

### Other Parts Available

19	<b>R105-9770</b>	R10-5090, R26-5690, R70-9800, R94-3506, R94-3507	Hydraulic Motor - Reel Quick Release	3	<b>383.95</b>	
----	------------------	--	--------------------------------------	---	---------------	--

20	<b>R340-77</b>	R340-100, R95-7889	Hydraulic Fitting	2	<b>15.85</b>	
----	----------------	-----------------------	-------------------	---	--------------	--

21	<b>R340-98</b>		Hydraulic Fitting	3	<b>15.60</b>	
----	----------------	--	-------------------	---	--------------	--

22	<b>R340-87</b>	R340-106	Hydraulic Fitting	1	<b>11.25</b>	
----	----------------	----------	-------------------	---	--------------	--

All original equipment manufacturers names and part numbers are used for identification purposes only, and we are in no way implying that our products are original equipment parts. Prices subject to change without notice.



# Replaces R&R Products Versa-Green

## 2160D Parts

*Traction Unit*

*Hydraulic Lines & Motors*



Item No	R&R Part No.	OEM Part No.	Description	Qty Req	Price Each	Order Quantity
23	<b>R237-22</b>	R107-8844, R232-72, R237-78	O-Ring	5	<b>0.62</b>	
24	<b>R237-42</b>	R31-4160, R339897	O-Ring	3	<b>0.80</b>	
25	<b>R237-30</b>	R23-6320	O-Ring - Seal	5	<b>0.78</b>	
26	<b>R237-79</b>		O-Ring	3	<b>1.50</b>	
27	<b>R3234-34</b>	323-12	Bolt - Hex Washer 1/4 x 2	1	<b>0.67</b>	
28	<b>R3253-3</b>	446130, R01-166-0070, R01-166-0410, R23-9-GD, R24-7150, R352-167, R446128, R446130	Washer - Lock 1/4	1	<b>0.11</b>	
29	<b>R3256-22</b>	R09061, R24-9-BD, R3-1032, R93-0954, R93-0989	Washer - Flat 1/4 Yellow	3	<b>0.12</b>	
30	<b>R83-1220</b>		Plate - Clamp - Hyd Lines	1	<b>11.25</b>	
31	<b>R57-6140</b>		Clamp - Half - Hyd Line	2	<b>6.25</b>	
32	<b>R301504</b>	R32127-24, R32146-17, R3296-16, R3296-42, R915661P, RM40333	Locknut - ESNA 1/4-20	2	<b>0.18</b>	
33	<b>R32128-33</b>		Nut - 1/4-20 Flanged Serr	1	<b>0.70</b>	
34	<b>R32108-100</b>		Screw - 1/4-20 x 2-1/4 Soc Flat HD	1	<b>0.79</b>	
35	<b>R69-9760</b>		Cover Plate - Hyd Line Clamp	1	<b>3.55</b>	

All original equipment manufacturers names and part numbers are used for identification purposes only, and we are in no way implying that our products are original equipment parts. Prices subject to change without notice.



# Replaces R&R Products Versa-Green

## 2160D Parts

*Traction Unit*

*Hydraulic Lines & Motors*



Item No	R&R Part No.	OEM Part No.	Description	Qty Req	Price Each	Order Quantity
36	<b>R56-7970</b>		Plastic Clamp	2	<b>11.25</b>	
37	<b>R353-585</b>	R353-469, R353-587, R354-34, R45401-2, R500843, R72-4380, R75-1210, R75-1270, R92-8863, R92-8864	Seal - High Pressure - Reel Motor	3	<b>19.20</b>	

All original equipment manufacturers names and part numbers are used for identification purposes only, and we are in no way implying that our products are original equipment parts. Prices subject to change without notice.