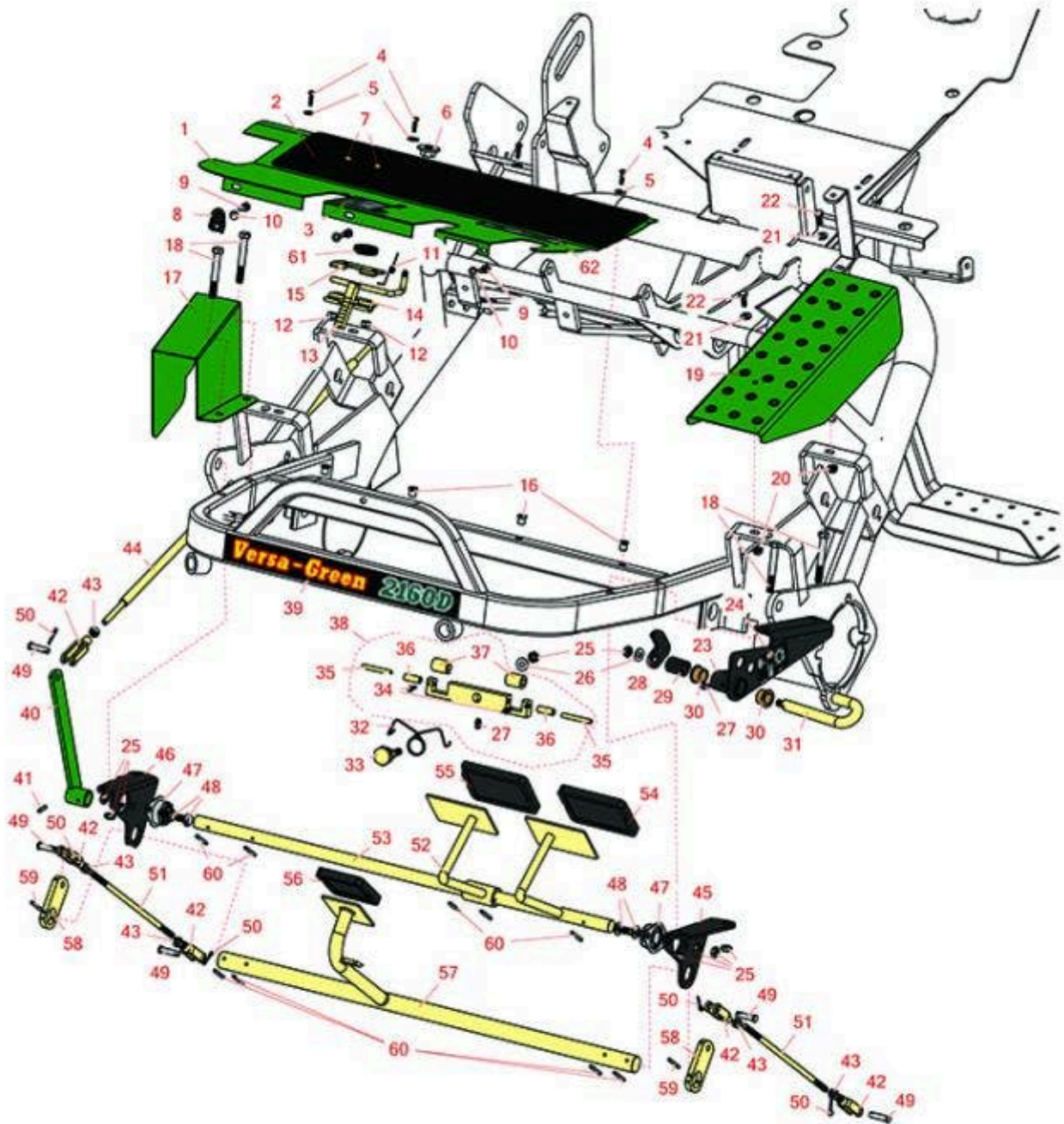




# Replaces R&R Products Versa-Green

## 2160D Parts

Traction Unit  
Control Pedal



All original equipment manufacturers names and part numbers are used for identification purposes only, and we are in no way implying that our products are original equipment parts. Prices subject to change without notice.



# Replaces R&R Products Versa-Green

## 2160D Parts

Traction Unit  
Control Pedal



Item No	R&R Part No.	OEM Part No.	Description	Qty Req	Price Each	Order Quantity
1	<b>R83-0640G</b>		Footrest Plate - Green	1	<b>68.75</b>	
2	<b>R49-6120</b>	R10-8210	Pad - Anti-Skid Foot Rest	1	<b>24.15</b>	
3	<b>R93-8062</b>		Decal - Parking Brake	1	<b>3.20</b>	
4	<b>R3274-31</b>	R3274-68, R46-8560	Screw - Button HD Soc CS 1/4-20 x 5/8	4	<b>0.75</b>	
5	<b>R453023</b>	R3256-1, R3256-72	Washer - Flat 1/4	4	<b>0.12</b>	
6	<b>R32141-111</b>		Nut - Special HF Flanged	1	<b>2.70</b>	
7	<b>R3229-11</b>	R3229-22, R518304	Bolt - Carriage 1/4-20 x 5/8	2	<b>0.43</b>	
8	<b>R150277</b>		Mount - Wiring Harness - Heavy Duty	1	<b>3.55</b>	
9	<b>R400106</b>	R321-3, R513315, R908002P	Bolt - Hex HD 1/4-20 x 5/8	3	<b>0.28</b>	
10	<b>R3253-3</b>	446130, R01-166-0070, R01-166-0410, R23-9-GD, R24-7150, R352-167, R446128, R446130	Washer - Lock 1/4	2	<b>0.11</b>	
11	<b>R10-8140</b>	R10-8410	Spring - Torsion - Brake Latch	1	<b>9.20</b>	
12	<b>R301504</b>	R32127-24, R32146-17, R3296-16, R3296-42, R915661P, RM40333	Locknut - ESNA 1/4-20	2	<b>0.18</b>	
13	<b>R10-7850</b>		Parking Latch - Brake	1	<b>66.20</b>	

All original equipment manufacturers names and part numbers are used for identification purposes only, and we are in no way implying that our products are original equipment parts. Prices subject to change without notice.



# Replaces R&R Products Versa-Green

## 2160D Parts

*Traction Unit  
Control Pedal*



Item No	R&R Part No.	OEM Part No.	Description	Qty Req	Price Each	Order Quantity
14	<b>R10-7890</b>		Hinge - Lower	1	<b>6.80</b>	
15	<b>R10-7880</b>		Hinge - Upper	1	<b>8.05</b>	
16	<b>R95-5981TS</b>		Thread-Sert 1/4-20	4	<b>3.75</b>	
17	<b>R49-6110G</b>		Rod Guard - Green	1	<b>32.85</b>	
18	<b>R323-13</b>	R01-150-1020, R01-178-0622, R20-54-AD, R20-54-AGD, R513366	Bolt - Hex HD 3/8-16 x 2-3/4 GR5	4	<b>1.55</b>	
19	<b>R83-0200G</b>		Cover Plate - LH - Green	1	<b>23.05</b>	
20	<b>R32128-33</b>		Nut - 1/4-20 Flanged Serr	2	<b>0.70</b>	
21	<b>R3256-22</b>	R09061, R24-9-BD, R3-1032, R93-0954, R93-0989	Washer - Flat 1/4 Yellow	2	<b>0.12</b>	
22	<b>R321-4</b>	400108, R01-150-1030, R01-178-0406, R20-3-AGD, R3222-1, R400108	Bolt - Hex HD 1/4-20 x 3/4	2	<b>0.52</b>	
23	<b>R93-9901G</b>		Lockout Bracket - Black	1	<b>59.75</b>	
24	<b>R93-9898</b>		Decal - Lock	1	<b>4.10</b>	
25	<b>R3296-59</b>		Locknut - 3/8-16 Nylon Jam	8	<b>0.65</b>	

All original equipment manufacturers names and part numbers are used for identification purposes only, and we are in no way implying that our products are original equipment parts. Prices subject to change without notice.



# Replaces R&R Products Versa-Green 2160D Parts

*Traction Unit  
Control Pedal*



Item No	R&R Part No.	OEM Part No.	Description	Qty Req	Price Each	Order Quantity
26	<b>R453011</b>	3256-24, 453011, R01-166-0100, R01-166-0120, R01-166-0270, R01-166-0500, R01-166-0600, R01-166-0620, R132-4593, R237-12, R24-10-AD, R24-11-AD, R24-11-BD, R24-12-AD, R24-12-BD, R30-9310, R32-8190, R3256-24, R3256-3, R3256-36, R3256-4, R47-9950	Washer - Flat 3/8 SAE Y/Zinc	2	<b>0.11</b>	
27	<b>R302-5</b>	R173-0, R21-6010, R255825, R302-37, R302-47, R302-57, R302-58, R302-6, R31-0300, R32-9660, R471214, R471223, R471226, R60-0800, R62-3880, R92-4181, RJD7797, RJD7842, RJD7844, RM0004	Fitting - Grease	2	<b>0.27</b>	
28	<b>R93-9904</b>		Mow Arm - Lockout	1	<b>14.15</b>	
29	<b>R76-0410</b>		Spring - Compression - Lockout Pin	1	<b>3.25</b>	

All original equipment manufacturers names and part numbers are used for identification purposes only, and we are in no way implying that our products are original equipment parts. Prices subject to change without notice.



# Replaces R&R Products Versa-Green

## 2160D Parts

Traction Unit  
Control Pedal



Item No	R&R Part No.	OEM Part No.	Description	Qty Req	Price Each	Order Quantity
30	<b>R3-1506</b>	R256-287, R3709088, R4-4550, R75-2160, R9329	Bushing - Bronze	2	<b>3.05</b>	
31	<b>R93-9903</b>		Pin - Mow Lockout	1	<b>31.55</b>	
32	<b>R83-0080</b>		Spring - Pivot - Lift	1	<b>11.75</b>	
33	<b>R83-2590</b>		Bolt - Shoulder Eccentric	1	<b>26.65</b>	
34	<b>R150425</b>		Bolt - Hex HD 8-32 x 5/8	2	<b>0.23</b>	
35	<b>R150276</b>		Pin - Dowell - Removable	2	<b>7.05</b>	
36	<b>R150275</b>		Bushing - Bronze	2	<b>2.35</b>	
37	<b>R150274</b>		Roller Assy - Lift Pivot	2	<b>15.10</b>	
38	<b>R150273</b>	R83-0060	Lift - Pivot Assy	1	<b>78.05</b>	
39	<b>R150820</b>		Decal - R&R Versa Green 2160D	1	<b>16.90</b>	
40	<b>R49-6200</b>		Cutting Lever - Green	1	<b>36.75</b>	
41	<b>R32121-6</b>		Pin - Roll 3/16 x 1-1/4	1	<b>0.46</b>	
42	<b>R282-2</b>	R1-303105	Yoke	5	<b>15.15</b>	
43	<b>R3220-2</b>	R01-191-0524	Nut - Jam - 5/16-24	5	<b>0.50</b>	
44	<b>R49-5430</b>		Control Rod - Cutting Lever	1	<b>42.45</b>	
45	<b>R88-9640G</b>		Bracket - Black	1	<b>40.35</b>	
46	<b>R88-9630G</b>		Bracket - Black	1	<b>40.35</b>	
47	<b>R27-2320</b>		Bearing	2	<b>15.15</b>	
48	<b>R3234-1</b>		Bolt - Flanged Serrated Hex HD 3/8-16 x 3/4	4	<b>1.45</b>	
49	<b>R283-61</b>	R86-2140	Pin - Clevis 5/16 x 1-1/8	5	<b>0.78</b>	

All original equipment manufacturers names and part numbers are used for identification purposes only, and we are in no way implying that our products are original equipment parts. Prices subject to change without notice.



# Replaces R&R Products Versa-Green

## 2160D Parts

*Traction Unit  
Control Pedal*



Item No	R&R Part No.	OEM Part No.	Description	Qty Req	Price Each	Order Quantity
50	<b>R11M7012</b>		Pin - Cotter 1/8 x 5/8	5	<b>0.23</b>	
51	<b>R27-2270</b>		Rod - Adjustment	2	<b>16.30</b>	
52	<b>R106-6394</b>	R83-0140	Mow Pedal Assy	1	<b>36.50</b>	
53	<b>R150289</b>		Shaft - Cutting Control Assy	1	<b>68.90</b>	
54	<b>R93-7631</b>		Rubber Foot Pad - Lift	1	<b>4.80</b>	
55	<b>R93-7630</b>		Rubber Foot Pad - Mow	1	<b>4.80</b>	
56	<b>R93-7629</b>	R27-7570, R27-7580, R49-6170, R93-8743	Rubber Foot Pad - Brake	1	<b>6.45</b>	
57	<b>R83-0160</b>		Shaft - Brake Assy	1	<b>73.45</b>	
58	<b>R10-8100-01</b>	R10-8100, R112-9180	Strap - Shaft	2	<b>19.55</b>	
59	<b>R32121-35</b>		Pin - Spring Roll 5/32 x 1-1/2	2	<b>0.79</b>	
60	<b>R32121-51</b>		Pin - Spring Roll 5/32 x 1-1/8	6	<b>0.72</b>	
61	<b>R150284</b>		Rubber Grommet	1	<b>2.35</b>	
62	<b>R93-8075</b>		Decal - Mow/Lift	1	<b>4.15</b>	

All original equipment manufacturers names and part numbers are used for identification purposes only, and we are in no way implying that our products are original equipment parts. Prices subject to change without notice.