

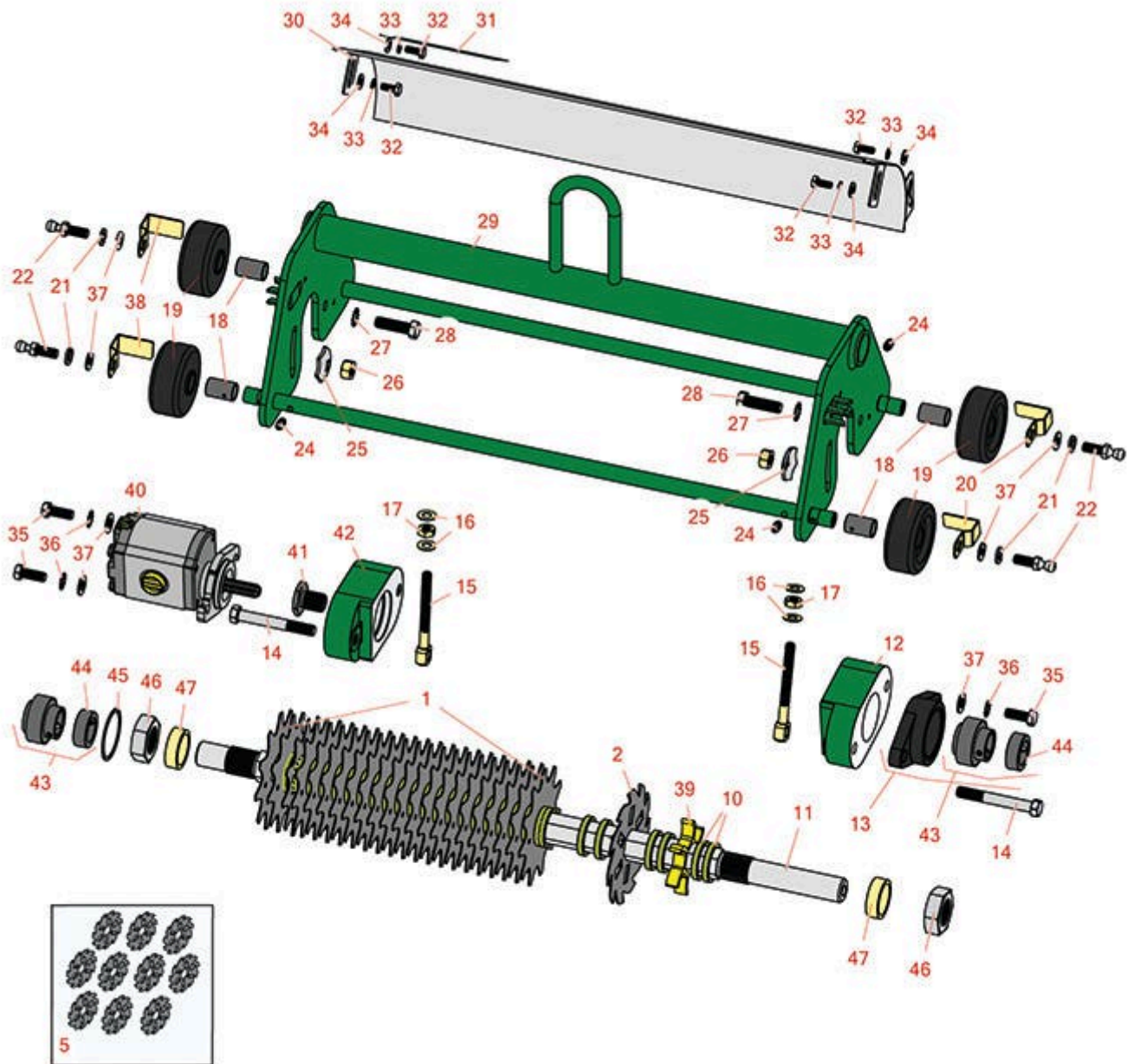


Replaces R&R Products Versa-Green

1860 Parts

Verti-Cut Unit with Wheels

Verti-Cut Reel & Frame



All original equipment manufacturers names and part numbers are used for identification purposes only, and we are in no way implying that our products are original equipment parts. Prices subject to change without notice.

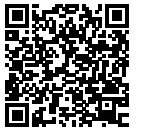


Replaces R&R Products Versa-Green

1860 Parts

Verti-Cut Unit with Wheels

Verti-Cut Reel & Frame



| Item No | R&R Part No. | OEM Part No. | Description | Qty Req | Price Each | Order Quantity |
|---------|--------------|--------------|-------------|---------|------------|----------------|
|---------|--------------|--------------|-------------|---------|------------|----------------|

Verti-Cut Blades

| | | | | | | |
|---|-----------------|--|---|----|--------------|--|
| 1 | R17-1590 | | Verti-Cut Blade | 36 | 3.95 | |
| 2 | R150209C | R106-6355, R150209, RGCC-003, RTCU26776 | Verti-Cut Blade - Carbide Tipped 2mm | 36 | 11.95 | |
| 2 | R150109C | R106-5422, RGCC-002 | Verti-Cut Blade - Carbide Tipped 1.2mm | 36 | 12.35 | |

Overhaul Kits

| | | | | | | |
|---|------------------|--|---|---|-------------|--|
| 5 | R106-6392 | | Verti-Cut Blade Kit - 2mm Carbide Tipped | 0 | 0.00 | |
|---|------------------|--|---|---|-------------|--|

*Tech Note: Includes Carbide Tipped Blades to rebuild 3 dethatching reels: 108 ea: R150209C
Vertical Mower Blade:*

Other Parts Available

| | | | | | | |
|----|------------------|--|--------------------------------|----|---------------|--|
| 10 | R17-1600 | | Spacer - V-Cut Reel 1/4 | 72 | 2.55 | |
| 11 | R17-1570 | | Shaft - Hex Verti-Cut | 1 | 109.75 | |
| 12 | R17-1520G | | Weight - Counter V-Cut - Green | 1 | 72.90 | |
| 13 | R251-247 | | Bearing - Flanged V-Cut Sft | 1 | 66.95 | |
| 14 | R324-13 | | Bolt - Hex HD 7/16 x 3-1/4 | 2 | 1.20 | |
| 15 | R17-1510 | | Eyebolt | 2 | 27.40 | |
| 16 | R17-1710 | | Washer - Flat 3/8 Yellow USS | 4 | 0.32 | |

All original equipment manufacturers names and part numbers are used for identification purposes only, and we are in no way implying that our products are original equipment parts. Prices subject to change without notice.



Replaces R&R Products Versa-Green

1860 Parts

Verti-Cut Unit with Wheels

Verti-Cut Reel & Frame



| Item No | R&R Part No. | OEM Part No. | Description | Qty Req | Price Each | Order Quantity |
|---------|-----------------|---|--------------------------------|---------|--------------|----------------|
| 17 | R3217-7 | 3217-7, R01-188-0616, R1441, R14H1076, R22-13-AJD, R513296, R513415, R513425, R915113P | Nut - 3/8-16 Hex Plated | 4 | 0.24 | |
| 18 | R17-1620 | | Bushing - Wheel | 4 | 4.80 | |
| 19 | R17-1630 | | Wheel - Rubber Fits V-Cut Unit | 4 | 11.25 | |
| 20 | R17-1640 | | Scraper - Wheel LH | 2 | 3.55 | |
| 21 | R3254-6 | 446142, R01-166-0010, R01-166-0280, R01-166-0610, R12H304, R3253-5, R3254-18, R3290-223, R446140, R446142, R48-9370 | Washer - Lock 3/8 | 4 | 0.08 | |
| 22 | R94-2958 | R2411-7 | Stud - Alloy Ball Joint | 2 | 3.40 | |

All original equipment manufacturers names and part numbers are used for identification purposes only, and we are in no way implying that our products are original equipment parts. Prices subject to change without notice.



Replaces R&R Products Versa-Green

1860 Parts

Verti-Cut Unit with Wheels

Verti-Cut Reel & Frame



| Item No | R&R Part No. | OEM Part No. | Description | Qty Req | Price Each | Order Quantity |
|---------|------------------|--|----------------------------------|---------|---------------|----------------|
| 24 | R302-5 | R173-0, R21-6010, R255825, R302-37, R302-47, R302-57, R302-58, R302-6, R31-0300, R32-9660, R471214, R471223, R471226, R60-0800, R62-3880, R92-4181, RJD7797, RJD7842, RJD7844, RM0004 | Fitting - Grease | 4 | 0.27 | |
| 25 | R3290-334 | | Washer - Lock Pyramidal | 2 | 2.95 | |
| 26 | R443114 | | Nut - 7/16 Hex Yellow Zinc | 2 | 0.36 | |
| 27 | R3255-16 | | Washer - Lock 7/16 Ext Tooth | 2 | 0.33 | |
| 28 | R324-6 | R01-150-1690, R01-178-0712, R20-68-AGD, R3225-3 | Bolt - Hex HD 7/16-14 x 1-1/2 | 2 | 0.90 | |
| 29 | R17-1450G | | Frame - V-Cut - Green | 1 | 302.45 | |
| 30 | R17-1530G | | Shield - Grass V-Cut - Green | 1 | 54.65 | |
| 30 | R17-1530S | | Shield - Grass V-Cut - Stainless | 1 | 66.90 | |
| 31 | R354083 | R104-7729, R361877 | Decal - Danger | 1 | 1.25 | |
| 32 | R329-1 | | Bolt - Hex HD 1/4-28 x 5/8 | 4 | 0.40 | |
| 33 | R3255-7 | R76-5310 | Washer - Lock 1/4 Ext Star Z | 4 | 0.11 | |

All original equipment manufacturers names and part numbers are used for identification purposes only, and we are in no way implying that our products are original equipment parts. Prices subject to change without notice.



Replaces R&R Products Versa-Green

1860 Parts

Verti-Cut Unit with Wheels

Verti-Cut Reel & Frame



| Item No | R&R Part No. | OEM Part No. | Description | Qty Req | Price Each | Order Quantity |
|---------|-----------------|---|---------------------------------|---------|-------------|----------------|
| 34 | R3256-22 | R09061, R24-9-BD, R3-1032, R93-0954, R93-0989 | Washer - Flat 1/4 Yellow | 4 | 0.12 | |
| 35 | R323-6 | 323-6, R01-150-0010, R01-178-0608, R20-47-AD, R20-47-AGD, R3224-2, R49-3510, R908034P, R908332 | Bolt - Hex HD 3/8-16 x 1 GR5 YZ | 2 | 0.59 | |
| 36 | R3255-9 | RF3077 | Washer - Lock 3/8 Ext. Star | 2 | 0.19 | |
| 37 | R453011 | 3256-24, 453011, R01-166-0100, R01-166-0120, R01-166-0270, R01-166-0500, R01-166-0600, R01-166-0620, R132-4593, R237-12, R24-10-AD, R24-11-AD, R24-11-BD, R24-12-AD, R24-12-BD, R30-9310, R32-8190, R3256-24, R3256-3, R3256-36, R3256-4, R47-9950 | Washer - Flat 3/8 SAE Y/Zinc | 2 | 0.11 | |
| 38 | R17-1650 | | Scraper - Wheel RH | 2 | 3.55 | |
| 39 | R150230 | | Spacer - 1/2 Ventilated V-Cut | 36 | 3.65 | |

All original equipment manufacturers names and part numbers are used for identification purposes only, and we are in no way implying that our products are original equipment parts. Prices subject to change without notice.



Replaces R&R Products Versa-Green

1860 Parts

Verti-Cut Unit with Wheels

Verti-Cut Reel & Frame



| Item No | R&R Part No. | OEM Part No. | Description | Qty Req | Price Each | Order Quantity |
|---------|------------------|--|--------------------------------------|---------|---------------|----------------|
| 40 | R105-9770 | R10-5090, R26-5690, R70-9800, R94-3506, R94-3507 | Hydraulic Motor - Reel Quick Release | 1 | 383.95 | |
| 41 | R10-5100 | | Nut - Splined 1-1/8 Long | 1 | 15.70 | |
| 41 | R93-1394 | | Nut - Splined RH Thrd .812 Long | 1 | 12.25 | |
| 42 | R17-1610G | | Housing - Bearing V-Cut - Green | 1 | 96.20 | |
| 43 | R251-206 | | Bearing | 1 | 20.85 | |
| 44 | R251-77 | | Collar - Bearing | 2 | 5.05 | |
| 45 | R32120-77 | | Ring - Retaining | 1 | 4.55 | |
| 46 | R3220-18 | R67-5840 | Nut - Jam V-Cut Shaft | 2 | 4.85 | |
| 47 | R17-1580 | | Spacer - V-Cut Reel 1/2 | 2 | 2.90 | |

All original equipment manufacturers names and part numbers are used for identification purposes only, and we are in no way implying that our products are original equipment parts. Prices subject to change without notice.