

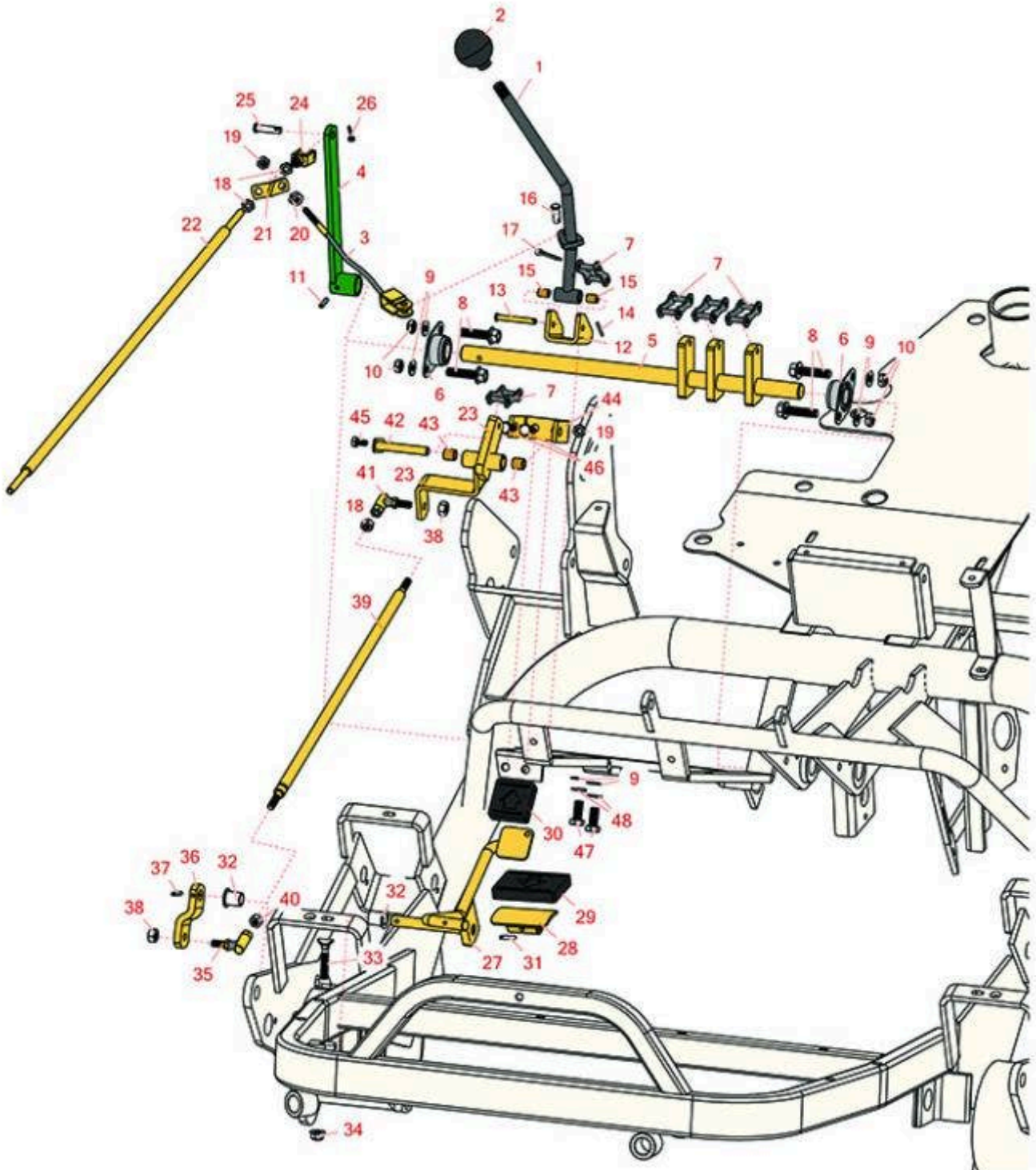


# Replaces R&R Products Versa-Green

## 1860 Parts

Traction Unit

Traction Control



All original equipment manufacturers names and part numbers are used for identification purposes only, and we are in no way implying that our products are original equipment parts. Prices subject to change without notice.



# Replaces R&R Products Versa-Green

## 1860 Parts

Traction Unit

Traction Control



Item No	R&R Part No.	OEM Part No.	Description	Qty Req	Price Each	Order Quantity
1	<b>R93-9934</b>	R93-9934-01	Traction Handle	1	<b>40.10</b>	
2	<b>R233-48</b>	R233-24, R30-3370	Knob	1	<b>6.50</b>	
3	<b>R93-9937</b>		Traction Cable Assy	1	<b>14.75</b>	
4	<b>R47-5320G</b>		Lever Assy - Traction Control	1	<b>38.70</b>	
5	<b>R44-0870</b>		Cam Shaft Assy - Traction Control	1	<b>78.80</b>	
6	<b>R27-2320</b>		Bearing	2	<b>15.15</b>	
7	<b>R57-6220</b>		Link - Connecting	5	<b>3.45</b>	
8	<b>R3234-19</b>		Bolt - Hex Washer 3/8-16x1-3/4	4	<b>1.75</b>	
9	<b>R453011</b>	3256-24, 453011, R01-166-0100, R01-166-0120, R01-166-0270, R01-166-0500, R01-166-0600, R01-166-0620, R132-4593, R237-12, R24-10-AD, R24-11-AD, R24-11-BD, R24-12-AD, R24-12-BD, R30-9310, R32-8190, R3256-24, R3256-3, R3256-36, R3256-4, R47-9950	Washer - Flat 3/8 SAE Y/Zinc	6	<b>0.11</b>	
10	<b>R3296-59</b>		Locknut - 3/8-16 Nylon Jam	4	<b>0.65</b>	
11	<b>R32121-6</b>		Pin - Roll 3/16 x 1-1/4	1	<b>0.46</b>	

All original equipment manufacturers names and part numbers are used for identification purposes only, and we are in no way implying that our products are original equipment parts. Prices subject to change without notice.



# Replaces R&R Products Versa-Green

## 1860 Parts

Traction Unit

Traction Control



Item No	R&R Part No.	OEM Part No.	Description	Qty Req	Price Each	Order Quantity
12	<b>R49-6220</b>		Bracket - Arm	1	<b>18.65</b>	
13	<b>R1023-3</b>	R283-57	Pin - Clevis 1/4 x 1-7/8	1	<b>0.97</b>	
14	<b>R1023-4</b>	R01-151-0150, R19-6220, R214-14, R215-54, R28-9-D, R3272-4, R3272-6, R460014, R513567, R932008P, RZS04061-02	Pin - Cotter 3/32 x 3/4	1	<b>0.23</b>	
15	<b>R256-251</b>		Bushing	2	<b>2.45</b>	
16	<b>R283-62</b>		Pin - Clevis 5/16 x 3/4	1	<b>0.74</b>	
17	<b>R3272-10</b>	R01-151-0120	Pin - Cotter 1/8 x 3/4	1	<b>0.13</b>	
18	<b>R3220-2</b>	R01-191-0524	Nut - Jam - 5/16-24	4	<b>0.50</b>	
19	<b>R3296-29</b>	3296-29, R1-804256, R915662P	Locknut - 5/16-18 ESNA	3	<b>2.95</b>	
20	<b>R443106</b>	3218-2, 443106, R01-188-0518, R09003, R22-12-AJD, R32111-4, R3217-4, R3217-6, R513295, R513412, R915112P, R915978, R915979	Nut - 5/16-18 Y/Zinc Plated	1	<b>0.19</b>	
21	<b>R93-9936</b>		Bracket - Traction Cable	1	<b>5.15</b>	
22	<b>R49-5430</b>		Control Rod - Cutting Lever	1	<b>42.45</b>	

All original equipment manufacturers names and part numbers are used for identification purposes only, and we are in no way implying that our products are original equipment parts. Prices subject to change without notice.



# Replaces R&R Products Versa-Green

## 1860 Parts

Traction Unit

Traction Control



Item No	R&R Part No.	OEM Part No.	Description	Qty Req	Price Each	Order Quantity
23	<b>R49-6260</b>	R49-6260-01	Pivot Assy	1	<b>40.10</b>	
24	<b>R282-2</b>	R1-303105	Yoke	1	<b>15.15</b>	
25	<b>R283-61</b>	R86-2140	Pin - Clevis 5/16 x 1-1/8	1	<b>0.78</b>	
26	<b>R11M7012</b>		Pin - Cotter 1/8 x 5/8	1	<b>0.23</b>	
27	<b>R83-0540G</b>	R83-0540, R83-0540-01	Traction Pedal Assy - Plated	1	<b>41.15</b>	
28	<b>R49-6440-03</b>	R117-9507, R49-6440	Pedal - Forward Assy	1	<b>34.80</b>	
29	<b>R74-9100</b>		Rubber Foot Pad - Forward	1	<b>10.95</b>	
30	<b>R74-9110</b>		Rubber Foot Pad - Reverse	1	<b>9.30</b>	
31	<b>R32121-45</b>	R32121-113, R32121-92	Pin - Spring Roll 5/32 x 1	1	<b>0.24</b>	
32	<b>R256-155</b>	R265-155	Bushing - Flanged	2	<b>3.45</b>	
33	<b>R17-9420</b>	R17-9426, R49-6480	Bolt - Contour Plow Bolt	1	<b>3.45</b>	
34	<b>R445722</b>	R30-8980, R32128-2, R32128-20	Nut - Serrated Washer	1	<b>0.66</b>	
35	<b>R2411-42</b>		Ball Joint - LH	1	<b>10.40</b>	
36	<b>R83-0630</b>		Traction Arm - Pivot	1	<b>15.90</b>	
37	<b>R32121-51</b>		Pin - Spring Roll 5/32 x 1-1/8	1	<b>0.72</b>	
38	<b>R444754</b>	R000210	Locknut - 5/16-24 Center	2	<b>0.43</b>	
39	<b>R83-0580</b>		Rod - Control - Traction	1	<b>26.55</b>	
40	<b>R3220-20</b>		Nut - Jam - 5/16-24 LH	1	<b>0.94</b>	

All original equipment manufacturers names and part numbers are used for identification purposes only, and we are in no way implying that our products are original equipment parts. Prices subject to change without notice.



# Replaces R&R Products Versa-Green

## 1860 Parts

*Traction Unit*

*Traction Control*



Item No	R&R Part No.	OEM Part No.	Description	Qty Req	Price Each	Order Quantity
41	<b>R2411-43</b>	R2411-33, R37-9570	Ball Joint - RH	1	<b>9.65</b>	
42	<b>R49-6290</b>	R49-6300, R49-6310	Pin	1	<b>11.30</b>	
43	<b>R256-2</b>		Bushing - Idler Pulley	2	<b>3.25</b>	
44	<b>R49-6250</b>		Bracket - Pivot	1	<b>10.35</b>	
45	<b>R12-3270</b>	R30-0700, R32104-17, R8-3880, R9266714	Bolt - Hex Washer 1/4-20 x 1/2	1	<b>1.45</b>	
46	<b>R322-5</b>	322-5, R01-178-0508, R19H1905, R20-26-AD, R20-26-AGD, R30-9000, R400188, R513341, R519755, R908019P	Bolt - Hex HD 5/16-18 x 1	2	<b>0.40</b>	
47	<b>R400296</b>		Bolt - Hex HD 3/8-24 x 7/8	2	<b>0.70</b>	
48	<b>R3254-6</b>	446142, R01-166-0010, R01-166-0280, R01-166-0610, R12H304, R3253-5, R3254-18, R3290-223, R446140, R446142, R48-9370	Washer - Lock 3/8	2	<b>0.08</b>	

All original equipment manufacturers names and part numbers are used for identification purposes only, and we are in no way implying that our products are original equipment parts. Prices subject to change without notice.