

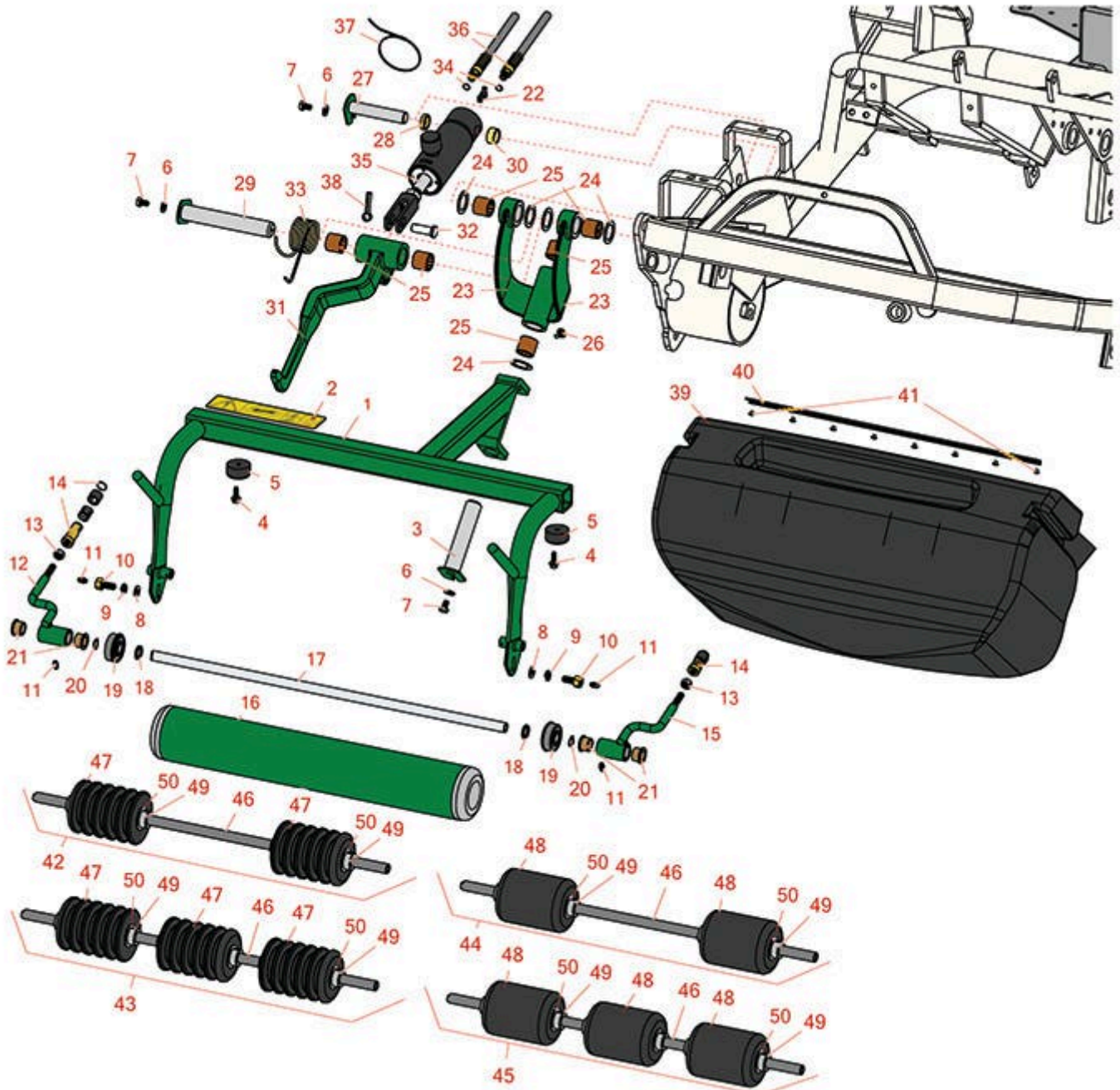


Replaces R&R Products Versa-Green

1860 Parts

Traction Unit

Right Hand Pull Frame



All original equipment manufacturers names and part numbers are used for identification purposes only, and we are in no way implying that our products are original equipment parts. Prices subject to change without notice.



Replaces R&R Products Versa-Green

1860 Parts

Traction Unit

Right Hand Pull Frame



Item No	R&R Part No.	OEM Part No.	Description	Qty Req	Price Each	Order Quantity
1	R92-9177G		Frame - Pull RH - Green	1	141.75	
2	R93-8064		Decal - Warning	1	2.50	
3	R10-6090G		Pin - Pivot 4-7/8 Long - Green	1	24.75	
4	R49-2040	R32104-42, R32104-95, R32144-44	Bolt - Hex Washer 1/4-20 x 3/4	2	0.72	
5	R94-4548		Rubber Bumper	2	2.55	
6	R453009	3256-3, R01-166-0400, R24-10-BD, R24-9-AD, R24H1136, R32-9650, R3256-2, R3256-23, R3256-67, R3290-217, R3556-3, R4-2390, R452006, R7-0152	Washer - Flat 5/16 SAE	3	0.13	
7	R322-1	R01-178-0504, R20-22-AD, R20-22-AGD, R513337, RB310801	Bolt - Hex HD 5/16-18 x 1/2	3	0.47	

All original equipment manufacturers names and part numbers are used for identification purposes only, and we are in no way implying that our products are original equipment parts. Prices subject to change without notice.



Replaces R&R Products Versa-Green

1860 Parts

Traction Unit

Right Hand Pull Frame



Item No	R&R Part No.	OEM Part No.	Description	Qty Req	Price Each	Order Quantity
8	R453011	3256-24, 453011, R01-166-0100, R01-166-0120, R01-166-0270, R01-166-0500, R01-166-0600, R01-166-0620, R132-4593, R237-12, R24-10-AD, R24-11-AD, R24-11-BD, R24-12-AD, R24-12-BD, R30-9310, R32-8190, R3256-24, R3256-3, R3256-36, R3256-4, R47-9950	Washer - Flat 3/8 SAE Y/Zinc	2	0.11	
9	R3253-21	3253-21, R215-51, R30-8470, R7-1912, RMT3949	Washer - Lock 3/8	2	0.14	
10	R11-0160		Screw - Roller Shaft	2	8.75	

All original equipment manufacturers names and part numbers are used for identification purposes only, and we are in no way implying that our products are original equipment parts. Prices subject to change without notice.



Replaces R&R Products Versa-Green

1860 Parts

Traction Unit

Right Hand Pull Frame



Item No	R&R Part No.	OEM Part No.	Description	Qty Req	Price Each	Order Quantity
11	R302-5	R173-0, R21-6010, R255825, R302-37, R302-47, R302-57, R302-58, R302-6, R31-0300, R32-9660, R471214, R471223, R471226, R60-0800, R62-3880, R92-4181, RJD7797, RJD7842, RJD7844, RM0004	Fitting - Grease	5	0.27	
12	R92-0586G		Arm - Pull LH - Green	1	36.40	
13	R3220-3	R01-191-0624, R3290-149	Nut - Jam Ball Joint	2	0.24	
14	R99-1460	R2411-28, R2411-29, R2411-30, R2411-6, R2411-8, R8-7710, R94-2959	Receiver - Ball Joint	2	11.25	
15	R92-0585G		Arm - Pull RH - Green	1	36.40	
16	R99-4277G		Basket Roller - Smooth - Green	1	163.55	
17	R21-8470		Shaft - Roller	1	30.20	
18	R253-83		Seal - Oil 7/8 OD x 5/8 ID	2	6.25	
19	R251-141		Bearing - Roller	2	19.20	
20	R3290-317		Washer - Wave	2	1.45	

All original equipment manufacturers names and part numbers are used for identification purposes only, and we are in no way implying that our products are original equipment parts. Prices subject to change without notice.



Replaces R&R Products Versa-Green

1860 Parts

Traction Unit

Right Hand Pull Frame



Item No	R&R Part No.	OEM Part No.	Description	Qty Req	Price Each	Order Quantity
21	R3-1506	R256-287, R3709088, R4-4550, R75-2160, R9329	Bushing - Bronze	4	3.05	
22	R700415		Zerk - Grease 1/8 PTF 45 Deg	1	1.40	
23	R10-7820G		Pivot Hinge Assy - Green	1	280.40	
24	R10-8110		Washer - Pivot Pin	6	0.99	
25	R3-0348	R324124, R342124	Bushing	4	4.70	
26	R302-60		Zerk - Grease 90 Deg.	1	0.68	
27	R10-6060G		Pin - Pivot 3-7/8 Long - Green	1	13.10	
28	R105-3828		Spacer - Lift Cyl	1	6.55	
29	R10-6110G		Pin - Hinge 6 1/4 Long - Green	1	26.95	
30	R74-3730	R217-96	Spacer	1	3.15	
31	R107-2599G		Lift Arm Assy - RH - Green	1	83.15	
32	R283-8	R17-3670, R7-2035	Clevis Pin - 1/2 x 1-27/64	1	2.55	
33	R110-3951	R106-9078	Spring - Torsion - RH	1	6.05	
34	R237-22	R107-8844, R232-72, R237-78	O-Ring	2	0.62	
35	R106-9066		Hydraulic Cylinder - LH / RH	1	317.30	
35	R107-2564		Seal Kit - Fits 107-1981 Hyd Cyl	1	77.55	
36	R150640		Hydraulic Hose Assy - RH Lift Cylinder	2	31.45	
37	R3M41933		Cable Ties - 6" Bulk Pkg/100	1	26.40	

All original equipment manufacturers names and part numbers are used for identification purposes only, and we are in no way implying that our products are original equipment parts. Prices subject to change without notice.

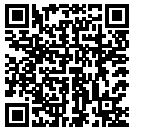


Replaces R&R Products Versa-Green

1860 Parts

Traction Unit

Right Hand Pull Frame



Item No	R&R Part No.	OEM Part No.	Description	Qty Req	Price Each	Order Quantity
38	R3272-11	R01-151-0010, R01-151-0040, R28-18-D, R28-28-D, R3211-72	Pin - Cotter	1	0.70	
39	R150257		Grass Basket Assembly	3	162.25	
40	R104-2607		Strip - Reinforcing Grass Basket	1	8.75	
41	R3290-382	R3269-15	Rivet - 5/32 x 1/2 Pop Rivet	8	0.35	
42	R150325		Basket Roller - Grooved UHMW Polyethylene 2 Section	1	154.45	
43	R150329		Basket Roller - Grooved UHMW Polyethylene 3 Section	1	207.30	
44	R150330		Basket Roller - Smooth UHMW Polyethylene 2 Section	1	135.75	
45	R150332		Roller - Smooth UHMW Polyethylene 3-1/2 3 Sec	1	173.40	
46	R150326		Shaft - Stainless Roller	1	60.95	
47	R150327		Roller Section - 3.5 UHMW Grooved	0	50.25	
48	R150331		Section - 3-1/2 UHMW Smooth	0	35.05	
49	R150328	R3709875, R94-9213	Collar - Retaining 5/8	0	3.15	
50	R302295		Washer	0	0.45	

All original equipment manufacturers names and part numbers are used for identification purposes only, and we are in no way implying that our products are original equipment parts. Prices subject to change without notice.