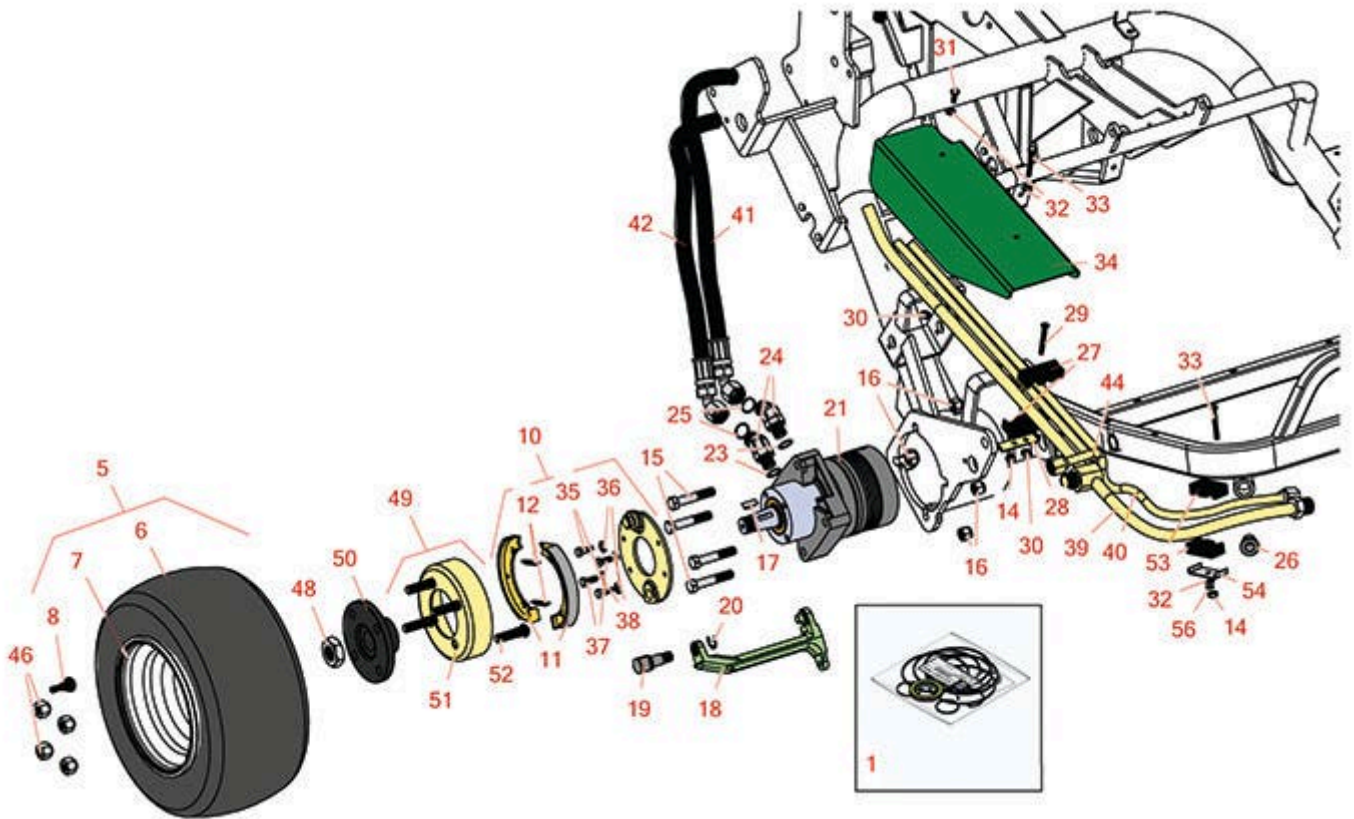




Replaces R&R Products Versa-Green

1860 Parts

Traction Unit
Front Wheel & Brake



All original equipment manufacturers names and part numbers are used for identification purposes only, and we are in no way implying that our products are original equipment parts. Prices subject to change without notice.



Replaces R&R Products Versa-Green

1860 Parts

Traction Unit

Front Wheel & Brake



Item No	R&R Part No.	OEM Part No.	Description	Qty Req	Price Each	Order Quantity
---------	--------------	--------------	-------------	---------	------------	----------------

Overhaul Kits

1	R76-0800	R100-6131, R94-8178, RTCA18042	Seal Kit - Hyd Wheel Motor	1	55.45	
---	-----------------	--------------------------------------	----------------------------	---	--------------	--

Tires

5	R150314	R150320	Tire w/Wheel - 18x9.50-8 (2 Ply) Carlisle Smooth	2	128.45	
6	R700141	R232-37, R232-47, R700131	Tube - 18x6.50/7.50/8.50/9.50-8 TR13	2	10.30	
7	R217-60	R242-49	Wheel - with Valve Stem - White	2	59.05	
8	R232-27	R232-31, R360111	Stem - Valve w/ Cap	2	4.15	

Hoses

39	R100-6431	R63-4040	Tube - Return	1	126.85	
40	R63-4020		Tube - Hyd	1	102.80	
41	R150627		Hydraulic Hose Assy - Drive Motor - RH Upper	1	102.45	
41	R150645		Hydraulic Hose Assy - Drive Motor - LH Upper	1	95.60	
42	R150641		Hydraulic Hose Assy - Drive Motor - RH Lower	1	101.75	
42	R150642		Hydraulic Hose Assy - Drive Motor - LH Lower	1	102.45	
44	R63-4030		Tube - Hyd	1	90.90	

Other Parts Available

10	R150510	R27-4630	Brake Assy	2	102.20	
----	----------------	----------	------------	---	---------------	--

All original equipment manufacturers names and part numbers are used for identification purposes only, and we are in no way implying that our products are original equipment parts. Prices subject to change without notice.



Replaces R&R Products Versa-Green

1860 Parts

Traction Unit

Front Wheel & Brake



Item No	R&R Part No.	OEM Part No.	Description	Qty Req	Price Each	Order Quantity
11	R70-9840		Shoe - Brake	4	23.65	
12	R70-9880		Spring - Brake Shoe	4	4.85	
14	R301504	R32127-24, R32146-17, R3296-16, R3296-42, R915661P, RM40333	Locknut - ESNA 1/4-20	8	0.18	
15	R325-11	R01-150-0330, R20-92-AGD	Bolt - Hex HD 1/2-13 x 2-3/4	8	2.35	
16	RF5003	3296-23, R32127-29, R32131-5, R32132-5, R3296-23, R64229-05	Locknut - ESNA 1/2-13	8	0.78	
17	R3257-42		Key - Woodruff 5/16 x 1	2	2.75	
18	R93-2096	R71-1510	Arm - Brake	2	49.95	
19	R104-7707	R104-7708, R70-9850, R70-9860	Cam - Brake	2	39.45	
20	R150513	R104-7706	E - Clip - Brake Assy	2	0.55	
21	R110-4015		Hydraulic Motor - LH Wheel	1	1065.85	
<i>Tech Note: (Not Shown):</i>						
21	R110-4016		Hydraulic Motor - RH Wheel	1	1065.85	
23	R237-80	R327-80	O-Ring	4	1.85	
24	R340-14	R96-0861	Hydraulic Fitting - 45 Deg	4	21.90	
25	R237-65		O-Ring	4	0.65	
26	R83-1700		Bushing - Flanged - Plastic	3	3.55	

All original equipment manufacturers names and part numbers are used for identification purposes only, and we are in no way implying that our products are original equipment parts. Prices subject to change without notice.



Replaces R&R Products Versa-Green

1860 Parts

Traction Unit

Front Wheel & Brake



Item No	R&R Part No.	OEM Part No.	Description	Qty Req	Price Each	Order Quantity
27	R57-6140		Clamp - Half - Hyd Line	2	6.25	
28	R83-1220		Plate - Clamp - Hyd Lines	1	11.25	
29	R32108-100		Screw - 1/4-20 x 2-1/4 Soc Flat HD	1	0.79	
30	R32128-33		Nut - 1/4-20 Flanged Serr	1	0.70	
31	R321-4	400108, R01-150-1030, R01-178-0406, R20-3-AGD, R3222-1, R400108	Bolt - Hex HD 1/4-20 x 3/4	1	0.52	
32	R3256-22	R09061, R24-9-BD, R3-1032, R93-0954, R93-0989	Washer - Flat 1/4 Yellow	2	0.12	
33	R3234-34	323-12	Bolt - Hex Washer 1/4 x 2	1	0.67	
34	R83-0190G		Cover Plate - RH Green	1	19.05	
35	R150524		Bolt - Shoulder 5/16-18	4	4.90	
36	R3254-6	446142, R01-166-0010, R01-166-0280, R01-166-0610, R12H304, R3253-5, R3254-18, R3290-223, R446140, R446142, R48-9370	Washer - Lock 3/8	4	0.08	
37	R322-4	R3290-115, R908018P	Bolt - Hex HD 5/16-18 x 7/8	4	0.47	

All original equipment manufacturers names and part numbers are used for identification purposes only, and we are in no way implying that our products are original equipment parts. Prices subject to change without notice.



Replaces R&R Products Versa-Green

1860 Parts

Traction Unit

Front Wheel & Brake



Item No	R&R Part No.	OEM Part No.	Description	Qty Req	Price Each	Order Quantity
38	R3253-4	R01-166-0110, R01-166-0510, R09053, R23-10-GD, R24-7170, R30-8520, R42-9850, R48-9350, R48-9360, R48-9570, R68-9420, R99-7577	Washer - Lock 5/16 Zinc	4	0.14	
46	R242-50		Nut - 1/2-20 Wheel	8	1.50	
48	R26-3790		Nut - Hex - Wheel Motor 1-20	2	14.75	
49	R10-6821	R10-6820	Hub and Drum Assy	2	149.63	
50	R10-6870-03	R10-6870	Hub - Wheel	2	132.30	
51	R10-6850		Drum - Brake	2	90.57	
52	R85-6540		Stud - Drive 1/2-20 x 2	8	7.95	
53	R56-7970		Plastic Clamp	0	11.25	
54	R69-9760		Cover Plate - Hyd Line Clamp	0	3.55	
56	R3253-3	446130, R01-166-0070, R01-166-0410, R23-9-GD, R24-7150, R352-167, R446128, R446130	Washer - Lock 1/4	0	0.11	

All original equipment manufacturers names and part numbers are used for identification purposes only, and we are in no way implying that our products are original equipment parts. Prices subject to change without notice.