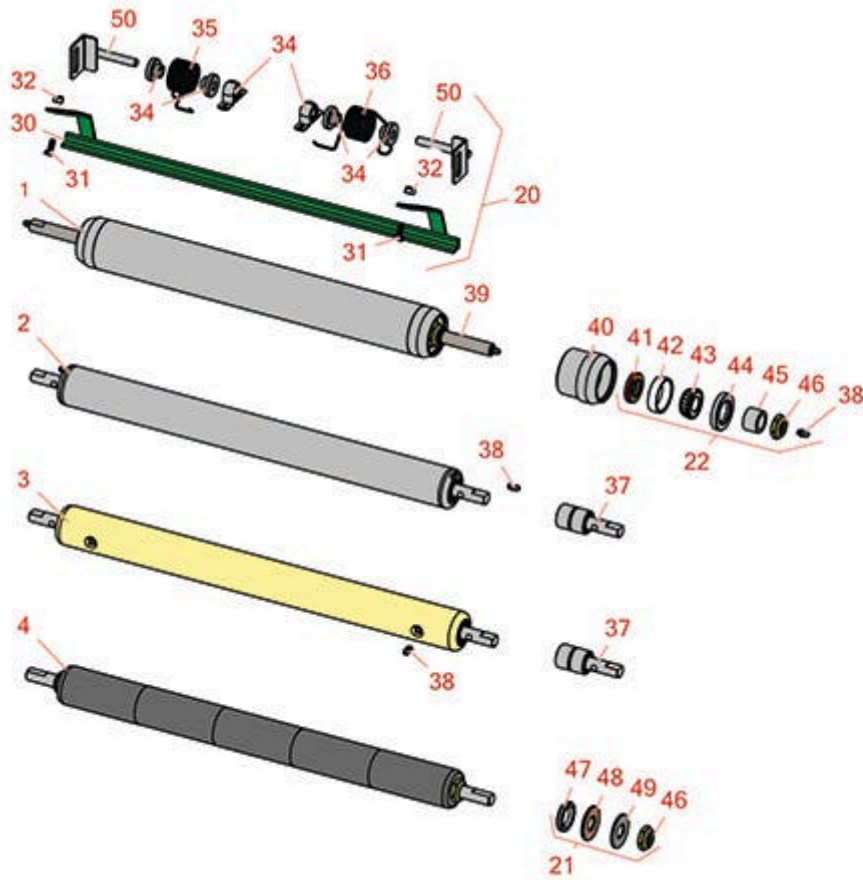




Replaces R&R Products Versa-Green

1860 Parts

Single Point Cutting Unit
Rear Rollers



All original equipment manufacturers names and part numbers are used for identification purposes only, and we are in no way implying that our products are original equipment parts. Prices subject to change without notice.



Replaces R&R Products Versa-Green

1860 Parts

Single Point Cutting Unit
Rear Rollers



Item No	R&R Part No.	OEM Part No.	Description	Qty Req	Price Each	Order Quantity
---------	--------------	--------------	-------------	---------	------------	----------------

R&R Rear Rollers

1	R150692		Roller - Smooth Heavy Duty Tubular Steel	0	198.15	
---	----------------	--	--	---	---------------	--

Tech Note: Constructed with a through shaft, this heavy duty roller uses tapered bearings for extended life.:

2	R21-8450		Roller - Smooth Tubular Steel	0	118.15	
---	-----------------	--	-------------------------------	---	---------------	--

Tech Note: Constructed with greasable "water-pump" style bearings. :

3	R150300		Roller - Smooth Solid Steel	0	201.15	
---	----------------	--	-----------------------------	---	---------------	--

Tech Note: Machined from solid steel, this heavy weight roller uses greasable "water-pump" style bearings.:

4	R150341		Roller - Smooth UHMW Polyethylene	0	186.65	
---	----------------	--	-----------------------------------	---	---------------	--

Tech Note: Machined from solid UHMW, this low maintenance roller uses a 1" solid stainless steel shaft and requires no grease. UHMW material prevents build-up of debris.:

Overhaul Kits

20	R53-9240G		Scraper Kit - Rear Roller SET/3	1	263.95	
----	------------------	--	---------------------------------	---	---------------	--

21	R100136		Overhaul Kit - Roller	0	70.70	
----	----------------	--	-----------------------	---	--------------	--

Tech Note: Includes 2 ea.: R150674 Wear Sleeves, R253-152 Seals, R253-117 Seals, R254-78 Bearings, R254-79 Bearing Cups, R3296-15 Locknuts & R302-5 Grease Fittings:

22	R101395		Overhaul Kit - UHMW Roller	0	41.15	
----	----------------	--	----------------------------	---	--------------	--

Tech Note: Fits all R&R 2" Dia. Black UHMW Polyethylene Rollers. Includes 10 ea.: R150322 Roll Pins; 2 ea.: R3296-15 Locknuts, R150347T Teflon Seals, R150333 Thrust Washers, & R150334A Bronze Thrust Washers:

Other Parts Available

30	R42-4800G		Bar - Scraper Rear Roller-Green	1	53.05	
----	------------------	--	---------------------------------	---	--------------	--

All original equipment manufacturers names and part numbers are used for identification purposes only, and we are in no way implying that our products are original equipment parts. Prices subject to change without notice.



Replaces R&R Products Versa-Green

1860 Parts

Single Point Cutting Unit
Rear Rollers



Item No	R&R Part No.	OEM Part No.	Description	Qty Req	Price Each	Order Quantity
31	R400106	R321-3, R513315, R908002P	Bolt - Hex HD 1/4-20 x 5/8	4	0.28	
32	R32152-4	444708, R444708	Locknut - 1/4-20 All Metal	4	0.39	
33	R256-239		Bearing	2	2.55	
34	R19-9560		Spacer - Spring	4	3.25	
35	R19-9540		Spring - Torsion LH	1	8.20	
36	R19-9550		Spring - Torsion RH	1	8.20	
37	R21-8430	R150301	Bearing - Roller	2	29.10	
38	R302-5	R173-0, R21-6010, R255825, R302-37, R302-47, R302-57, R302-58, R302-6, R31-0300, R32-9660, R471214, R471223, R471226, R60-0800, R62-3880, R92-4181, RJD7797, RJD7842, RJD7844, RM0004	Fitting - Grease	2	0.27	
39	R150693		Shaft - HD Rear Roller	1	47.60	
40	R61-0380		Roller End - Cap Solid	2	46.15	
41	R253-152	R253-116, R3001656	Seal - Inner Roller	2	3.55	

All original equipment manufacturers names and part numbers are used for identification purposes only, and we are in no way implying that our products are original equipment parts. Prices subject to change without notice.



Replaces R&R Products Versa-Green

1860 Parts

Single Point Cutting Unit
Rear Rollers



Item No	R&R Part No.	OEM Part No.	Description	Qty Req	Price Each	Order Quantity
42	R254-79	R01-103-0060, R01-103-0130, R1-633584, R252-106, R255820, R32-7800, R32-9590, R4121175, R70030-50301, R808088, RB4015, RG-372, RJD8226	Cup - Bearing	2	3.20	
<i>Tech Note: Use R254-79M installation mandrel to properly install race.:</i>						
43	R254-78	R01-102-0060, R01-102-0130, R255815, R32-7790, R32-9580, R385174, R4121174, R4135152, R70030-50302, R93-4813, RB4512, RG-373, RJD8188	Tapered Bearing Cone	2	6.05	
44	R253-117	R253-165, R255805, R3004882	Seal - Outer Triple Lip	2	4.20	
45	R150674		Sleeve - Wear 3/4 Plated	2	12.95	
46	R3296-15	367029, R1503473, R32118-5, R32127-23, R32127-47, R367029, R445748, RG-371, RN101345	Locknut - 3/4-16 Nylon Jam	2	2.15	

All original equipment manufacturers names and part numbers are used for identification purposes only, and we are in no way implying that our products are original equipment parts. Prices subject to change without notice.



Replaces R&R Products Versa-Green

1860 Parts

*Single Point Cutting Unit
Rear Rollers*



Item No	R&R Part No.	OEM Part No.	Description	Qty Req	Price Each	Order Quantity
47	R150347T	R150347	Seal - Nonstick Lip	2	6.05	
48	R150333	R150447	Washer - Flat Keyed Outer SS	2	5.15	
49	R150334A		Washer - Thrust SAE660 Bronze	2	5.80	
50	R53-9250		Bracket - Scraper Mount	2	8.60	

All original equipment manufacturers names and part numbers are used for identification purposes only, and we are in no way implying that our products are original equipment parts. Prices subject to change without notice.