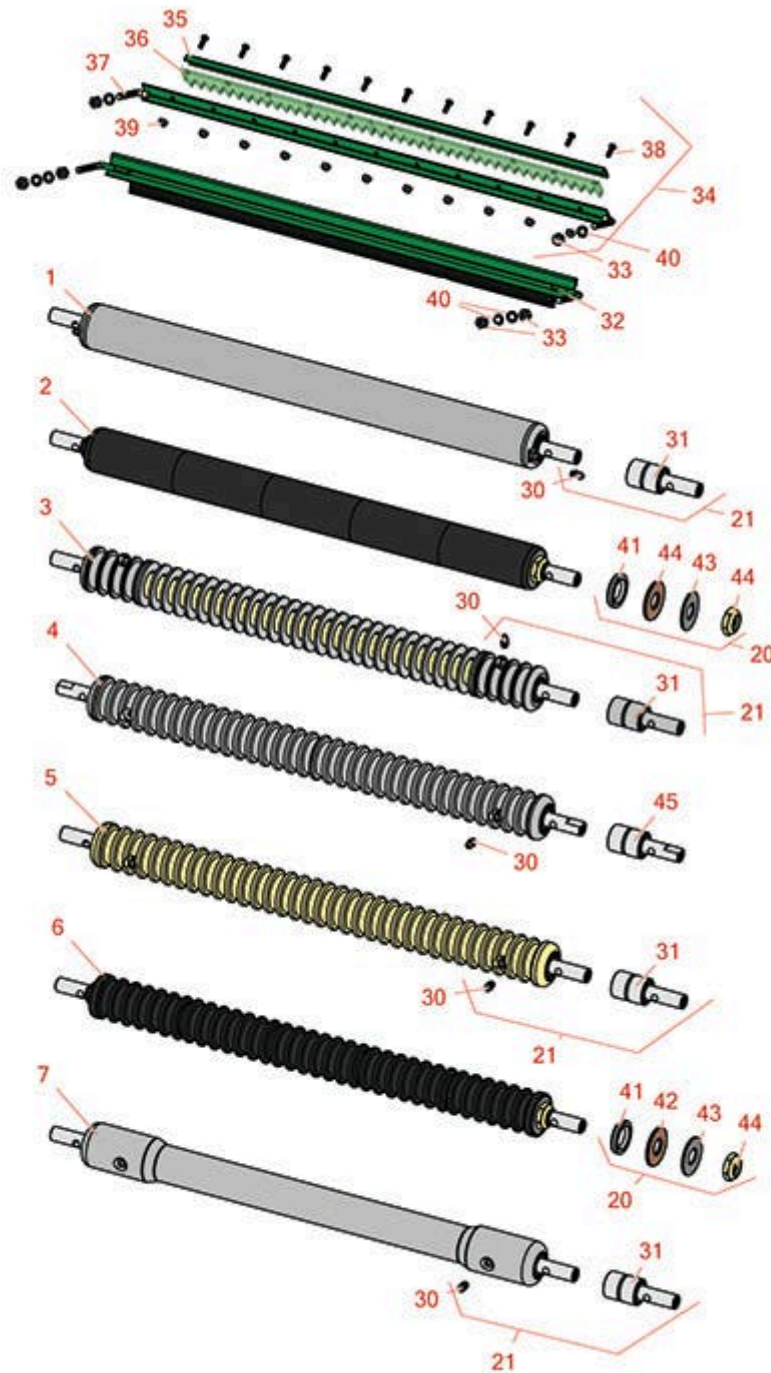




Replaces R&R Products Versa-Green

1860 Parts

4 Bolt Cutting Unit
Front Rollers



All original equipment manufacturers names and part numbers are used for identification purposes only, and we are in no way implying that our products are original equipment parts. Prices subject to change without notice.



Replaces R&R Products Versa-Green

1860 Parts

4 Bolt Cutting Unit
Front Rollers



Item No	R&R Part No.	OEM Part No.	Description	Qty Req	Price Each	Order Quantity
---------	--------------	--------------	-------------	---------	------------	----------------

R&R Front Rollers

1	R21-6440	R11-8180, R20-8950, R23-5110, R52-3170	Roller - Smooth Tubular Steel	0	127.85	
---	-----------------	---	-------------------------------	---	---------------	--

Tech Note: This tubular steel roller uses greasable "water-pump" style bearings. :

2	R150340		Roller - Smooth UHMW Polyethylene	0	186.65	
---	----------------	--	-----------------------------------	---	---------------	--

Tech Note: Machined from solid UHMW, this low maintenance roller uses a 1" solid stainless steel shaft and requires no grease. UHMW material prevents build-up of debris.:

3	R21-6540		Roller - Grooved Repairable Steel	0	164.15	
---	-----------------	--	-----------------------------------	---	---------------	--

Tech Note: Constructed with greasable "water-pump" style bearings, this roller can be repaired by unscrewing the ends and replacing the series of washers and spacers.:

4	R88-6790		Roller - Grooved Machined Solid Aluminum	0	182.85	
---	-----------------	--	--	---	---------------	--

Tech Note: Machined from solid aluminum, this light weight machined grooved roller uses greasable "water-pump" style bearings.:

5	R52-3200	R12-0840	Roller - Grooved Machined Solid Steel	0	179.45	
---	-----------------	----------	---------------------------------------	---	---------------	--

Tech Note: Machined from solid steel, this heavy weight roller uses greasable "water-pump" style bearings.:

6	R150335		Roller - Grooved UHMW Polyethylene	0	191.90	
---	----------------	--	------------------------------------	---	---------------	--

Tech Note: Machined from solid UHMW, this low maintenance roller rotates around a 1" solid stainless steel shaft and requires no bearings or grease. Patented groove design and smooth UHMW material prevents build-up of debris.:

7	R21-6470	R10-5000, R52-3590	Roller - Swaged Machined Solid Aluminum	0	159.40	
---	-----------------	-----------------------	---	---	---------------	--

Tech Note: Constructed with "water-pump" style bearings, this roller is machined from solid aluminum and contacts the ground only on the outer 2-7/8" of the roller.:

All original equipment manufacturers names and part numbers are used for identification purposes only, and we are in no way implying that our products are original equipment parts. Prices subject to change without notice.



Replaces R&R Products Versa-Green

1860 Parts

4 Bolt Cutting Unit
Front Rollers



Item No	R&R Part No.	OEM Part No.	Description	Qty Req	Price Each	Order Quantity
---------	--------------	--------------	-------------	---------	------------	----------------

Overhaul Kits

20	R101395		Overhaul Kit - UHMW Roller	0	41.15	
----	----------------	--	----------------------------	---	--------------	--

Tech Note: Fits all R&R 2" Dia. Black UHMW Polyethylene Rollers. Includes 10 ea.: R150322 Roll Pins; 2 ea.: R3296-15 Locknuts, R150347T Teflon Seals, R150333 Thrust Washers, & R150334A Bronze Thrust Washers:

21	R107-1588		Overhaul Kit - Roller	0	41.40	
----	------------------	--	-----------------------	---	--------------	--

Tech Note: Includes 2 ea.: R302-5 Grease Fittings & R52-3180 Bearings:

Other Parts Available

30	R302-5	R173-0, R21-6010, R255825, R302-37, R302-47, R302-57, R302-58, R302-6, R31-0300, R32-9660, R471214, R471223, R471226, R60-0800, R62-3880, R92-4181, RJD7797, RJD7842, RJD7844, RM0004	Fitting - Grease	6	0.27	
----	---------------	--	------------------	---	-------------	--

31	R52-3180	R21-6410	Bearing - Front Roller	2	21.20	
----	-----------------	----------	------------------------	---	--------------	--

32	R33-1000G		Brush Assy	1	39.95	
----	------------------	--	------------	---	--------------	--

33	R3219-1	R01-158-0590, R01-188-0428, R14H860	Nut - 1/4-28	4	0.13	
----	----------------	---	--------------	---	-------------	--

34	R11-0070G		Comb - Assy - Green	1	55.35	
----	------------------	--	---------------------	---	--------------	--

All original equipment manufacturers names and part numbers are used for identification purposes only, and we are in no way implying that our products are original equipment parts. Prices subject to change without notice.



Replaces R&R Products Versa-Green

1860 Parts

4 Bolt Cutting Unit
Front Rollers



Item No	R&R Part No.	OEM Part No.	Description	Qty Req	Price Each	Order Quantity
35	R8-2520G		Support - Comb - Green	1	9.65	
36	R8-2530		Comb - Urethane	1	15.55	
37	R11-0069G		Frame - Only Comb Assy- Green	1	29.60	
38	R3249-3		Screw - Comb	11	0.06	
39	R3296-9	R32127-17	Locknut - Comb	11	0.34	
40	R3254-8	R3	Washer - Lock 1/4 Int Star Z	4	0.08	
41	R150347T	R150347	Seal - Nonstick Lip	2	6.05	
42	R150334A		Washer - Thrust SAE660 Bronze	2	5.80	
43	R150333	R150447	Washer - Flat Keyed Outer SS	2	5.15	
44	R3296-15	367029, R1503473, R32118-5, R32127-23, R32127-47, R367029, R445748, RG-371, RN101345	Locknut - 3/4-16 Nylon Jam	2	2.15	
45	R52-3210		Bearing - w/Milled Flat	2	29.10	

All original equipment manufacturers names and part numbers are used for identification purposes only, and we are in no way implying that our products are original equipment parts. Prices subject to change without notice.