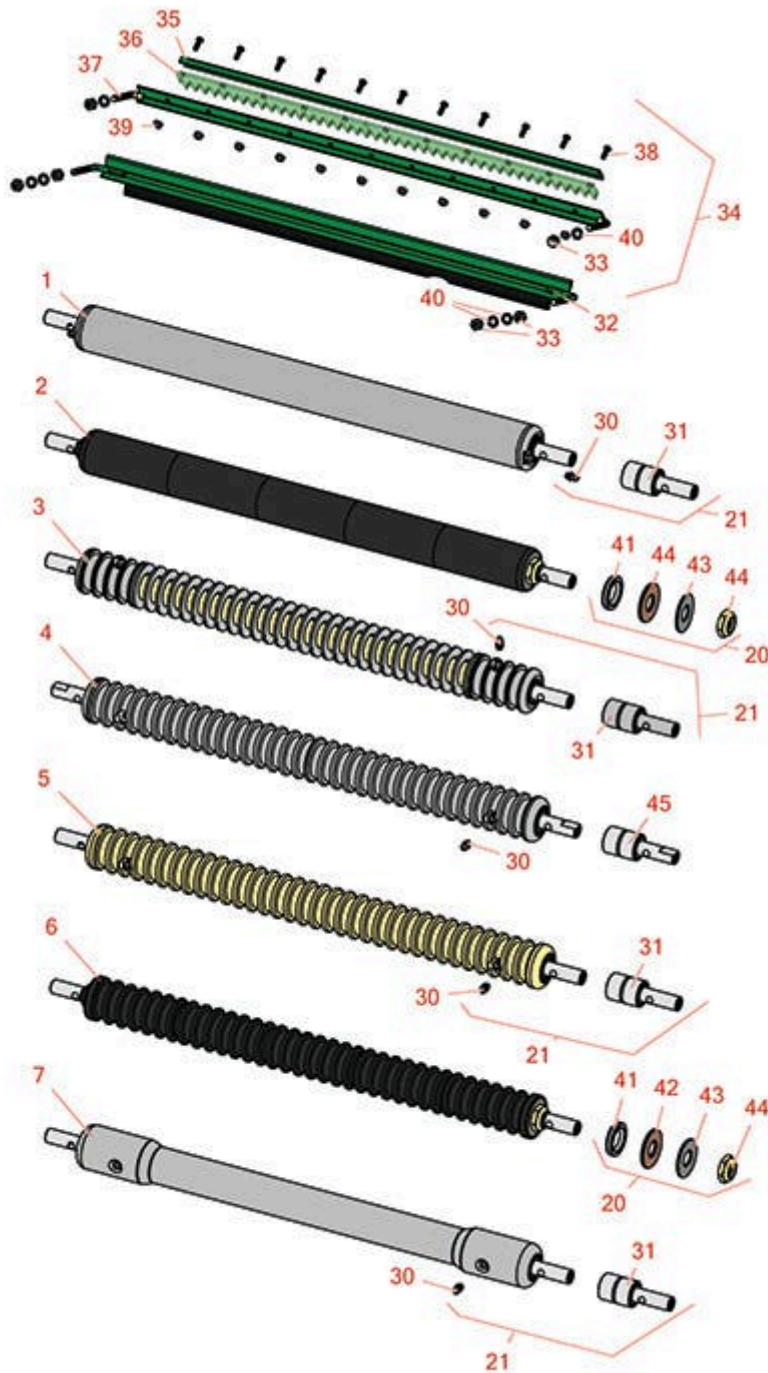




Replaces R&R Products Versa-Green

1860 Parts

Single Point Cutting Unit
Front Rollers



All original equipment manufacturers names and part numbers are used for identification purposes only, and we are in no way implying that our products are original equipment parts. Prices subject to change without notice.



Replaces R&R Products Versa-Green

1860 Parts

Single Point Cutting Unit
Front Rollers



| Item No | R&R Part No. | OEM Part No. | Description | Qty Req | Price Each | Order Quantity |
|---------|--------------|--------------|-------------|---------|------------|----------------|
|---------|--------------|--------------|-------------|---------|------------|----------------|

R&R Front Rollers

| | | | | | | |
|---|-----------------|---|-------------------------------|---|---------------|--|
| 1 | R21-6440 | R11-8180, R20-8950, R23-5110, R52-3170 | Roller - Smooth Tubular Steel | 1 | 127.85 | |
|---|-----------------|---|-------------------------------|---|---------------|--|

Tech Note: This tubular steel roller uses greasable "water-pump" style bearings. :

| | | | | | | |
|---|----------------|--|-----------------------------------|---|---------------|--|
| 2 | R150340 | | Roller - Smooth UHMW Polyethylene | 1 | 186.65 | |
|---|----------------|--|-----------------------------------|---|---------------|--|

Tech Note: Machined from solid UHMW, this low maintenance roller uses a 1" solid stainless steel shaft and requires no grease. UHMW material prevents build-up of debris.:

| | | | | | | |
|---|-----------------|--|-----------------------------------|---|---------------|--|
| 3 | R21-6540 | | Roller - Grooved Repairable Steel | 1 | 164.15 | |
|---|-----------------|--|-----------------------------------|---|---------------|--|

Tech Note: Constructed with greasable "water-pump" style bearings, this roller can be repaired by unscrewing the ends and replacing the series of washers and spacers.:

| | | | | | | |
|---|-----------------|--|--|---|---------------|--|
| 4 | R88-6790 | | Roller - Grooved Machined Solid Aluminum | 1 | 182.85 | |
|---|-----------------|--|--|---|---------------|--|

Tech Note: Machined from solid aluminum, this light weight machined grooved roller uses greasable "water-pump" style bearings.:

| | | | | | | |
|---|-----------------|----------|---------------------------------------|---|---------------|--|
| 5 | R52-3200 | R12-0840 | Roller - Grooved Machined Solid Steel | 1 | 179.45 | |
|---|-----------------|----------|---------------------------------------|---|---------------|--|

Tech Note: Machined from solid steel, this heavy weight roller uses greasable "water-pump" style bearings.:

| | | | | | | |
|---|----------------|--|------------------------------------|---|---------------|--|
| 6 | R150335 | | Roller - Grooved UHMW Polyethylene | 1 | 191.90 | |
|---|----------------|--|------------------------------------|---|---------------|--|

Tech Note: Machined from solid UHMW, this low maintenance roller rotates around a 1" solid stainless steel shaft and requires no bearings or grease. Patented groove design and smooth UHMW material prevents build-up of debris.:

| | | | | | | |
|---|-----------------|-----------------------|---|---|---------------|--|
| 7 | R21-6470 | R10-5000, R52-3590 | Roller - Swaged Machined Solid Aluminum | 1 | 159.40 | |
|---|-----------------|-----------------------|---|---|---------------|--|

Tech Note: Constructed with "water-pump" style bearings, this roller is machined from solid aluminum and contacts the ground only on the outer 2-7/8" of the roller.:

All original equipment manufacturers names and part numbers are used for identification purposes only, and we are in no way implying that our products are original equipment parts. Prices subject to change without notice.



Replaces R&R Products Versa-Green

1860 Parts

Single Point Cutting Unit
Front Rollers



| Item No | R&R Part No. | OEM Part No. | Description | Qty Req | Price Each | Order Quantity |
|---------|--------------|--------------|-------------|---------|------------|----------------|
|---------|--------------|--------------|-------------|---------|------------|----------------|

Overhaul Kits

| | | | | | | |
|----|----------------|--|----------------------------|---|--------------|--|
| 20 | R101395 | | Overhaul Kit - UHMW Roller | 1 | 41.15 | |
|----|----------------|--|----------------------------|---|--------------|--|

Tech Note: Fits all R&R 2" Dia. Black UHMW Polyethylene Rollers. Includes 10 ea.: R150322 Roll Pins; 2 ea.: R3296-15 Locknuts, R150347T Teflon Seals, R150333 Thrust Washers, & R150334A Bronze Thrust Washers:

| | | | | | | |
|----|------------------|--|-----------------------|---|--------------|--|
| 21 | R107-1588 | | Overhaul Kit - Roller | 1 | 41.40 | |
|----|------------------|--|-----------------------|---|--------------|--|

Tech Note: Includes 2 ea.: R302-5 Grease Fittings & R52-3180 Bearings:

Other Parts Available

| | | | | | | |
|----|---------------|--|------------------|---|-------------|--|
| 30 | R302-5 | R173-0, R21-6010, R255825, R302-37, R302-47, R302-57, R302-58, R302-6, R31-0300, R32-9660, R471214, R471223, R471226, R60-0800, R62-3880, R92-4181, RJD7797, RJD7842, RJD7844, RM0004 | Fitting - Grease | 6 | 0.27 | |
|----|---------------|--|------------------|---|-------------|--|

| | | | | | | |
|----|-----------------|----------|------------------------|---|--------------|--|
| 31 | R52-3180 | R21-6410 | Bearing - Front Roller | 2 | 21.20 | |
|----|-----------------|----------|------------------------|---|--------------|--|

| | | | | | | |
|----|-----------------|--|-------------------------|---|--------------|--|
| 31 | R52-3210 | | Bearing - w/Milled Flat | 2 | 29.10 | |
|----|-----------------|--|-------------------------|---|--------------|--|

| | | | | | | |
|----|------------------|--|------------|---|--------------|--|
| 32 | R33-1000G | | Brush Assy | 1 | 39.95 | |
|----|------------------|--|------------|---|--------------|--|

| | | | | | | |
|----|----------------|---|--------------|---|-------------|--|
| 33 | R3219-1 | R01-158-0590, R01-188-0428, R14H860 | Nut - 1/4-28 | 4 | 0.13 | |
|----|----------------|---|--------------|---|-------------|--|

All original equipment manufacturers names and part numbers are used for identification purposes only, and we are in no way implying that our products are original equipment parts. Prices subject to change without notice.



Replaces R&R Products Versa-Green

1860 Parts

Single Point Cutting Unit
Front Rollers



| Item No | R&R Part No. | OEM Part No. | Description | Qty Req | Price Each | Order Quantity |
|---------|------------------|--|----------------------------------|---------|--------------|----------------|
| 34 | R11-0070G | | Comb - Assy - Green | 1 | 55.35 | |
| 35 | R11-0069G | | Frame - Only Comb Assy- Green | 1 | 29.60 | |
| 36 | R8-2530 | | Comb - Urethane | 1 | 15.55 | |
| 37 | R8-2520G | | Support - Comb - Green | 1 | 9.65 | |
| 38 | R3249-3 | | Screw - Comb | 11 | 0.06 | |
| 39 | R3296-9 | R32127-17 | Locknut - Comb | 11 | 0.34 | |
| 40 | R3254-8 | R3 | Washer - Lock 1/4 Int Star Z | 4 | 0.08 | |
| 41 | R150347T | R150347 | Seal - Nonstick Lip | 2 | 6.05 | |
| 42 | R150334A | | Washer - Thrust SAE660 Bronze | 2 | 5.80 | |
| 43 | R150333 | R150447 | Washer - Flat Keyed Outer SS | 2 | 5.15 | |
| 44 | R3296-15 | 367029, R1503473, R32118-5, R32127-23, R32127-47, R367029, R445748, RG-371, RN101345 | Locknut - 3/4-16 Nylon Jam | 2 | 2.15 | |

All original equipment manufacturers names and part numbers are used for identification purposes only, and we are in no way implying that our products are original equipment parts. Prices subject to change without notice.