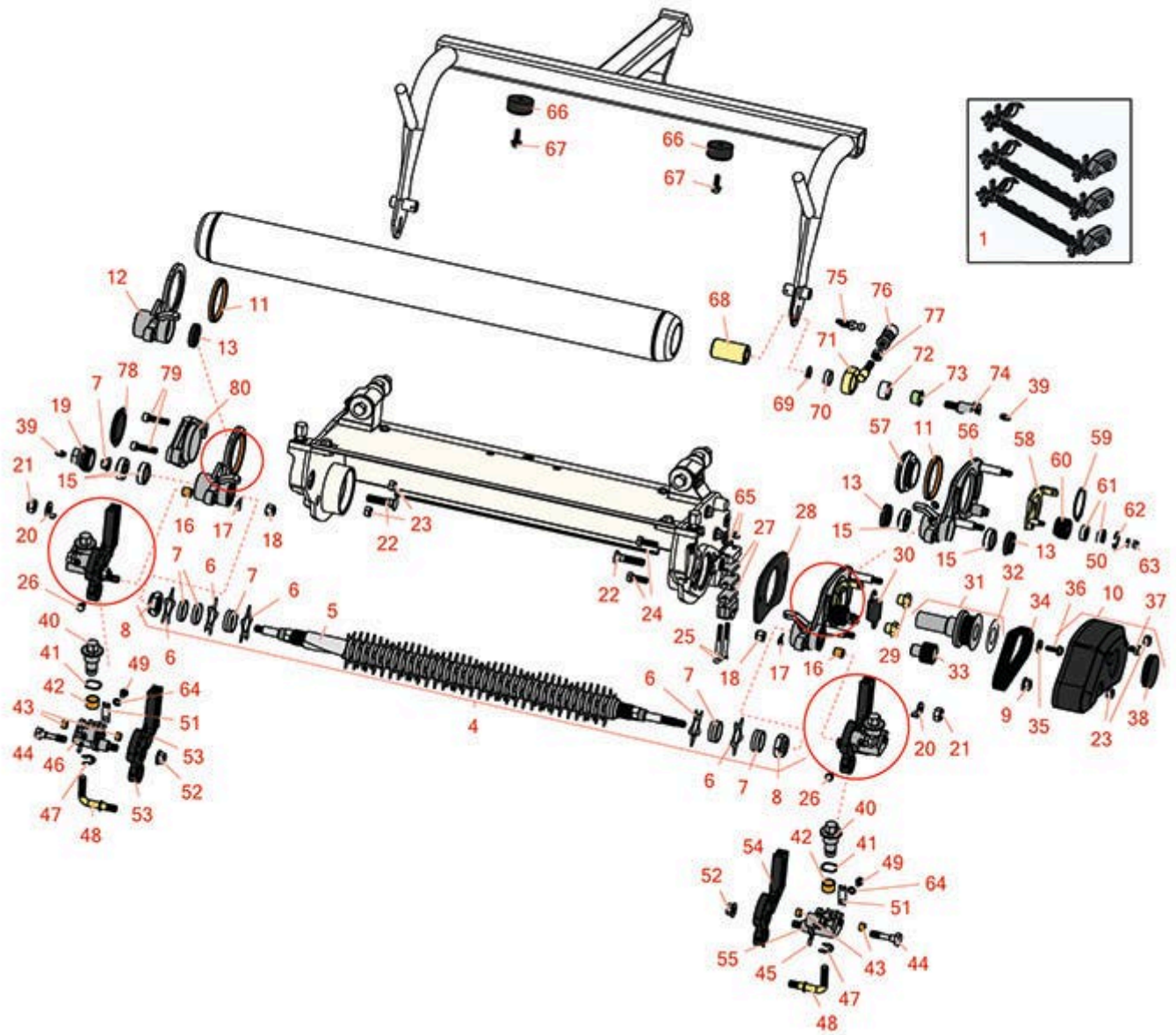




# Replaces R&R Products Versa-Green

## 1860 Parts

Dual Adjust Cutting Unit  
Front Groomer



All original equipment manufacturers names and part numbers are used for identification purposes only, and we are in no way implying that our products are original equipment parts. Prices subject to change without notice.



# Replaces R&R Products Versa-Green

## 1860 Parts

Dual Adjust Cutting Unit  
Front Groomer



Item No	R&R Part No.	OEM Part No.	Description	Qty Req	Price Each	Order Quantity
---------	--------------	--------------	-------------	---------	------------	----------------

### Complete Groomer Kit

1	<b>R04634</b>	R04630, R04632	Complete Groomer Assy - Set of 3	1	<b>4979.65</b>	
---	---------------	-------------------	----------------------------------	---	----------------	--

*Tech Note: Includes all parts needed for three cutting unit groomers.:*

### Other Parts Available

4	<b>R117-1507</b>		Grooming Reel Assy	1	<b>386.65</b>	
---	------------------	--	--------------------	---	---------------	--

5	<b>R115-1770</b>		Shaft Assy - Groomer	1	<b>256.40</b>	
---	------------------	--	----------------------	---	---------------	--

6	<b>R110-2333</b>		Groomer Blade - Helix .028 Thick	42	<b>2.40</b>	
---	------------------	--	----------------------------------	----	-------------	--

7	<b>R70-1350</b>		Spacer - 1/4 Fits Groomer Shaft	86	<b>0.83</b>	
---	-----------------	--	---------------------------------	----	-------------	--

8	<b>R32127-46</b>	R3296-60	Locknut	2	<b>2.85</b>	
---	------------------	----------	---------	---	-------------	--

9	<b>R104-8301</b>	R109-6658, R133-7570	Locknut - 3/8-16 Nylon Flanged	2	<b>0.84</b>	
---	------------------	-------------------------	--------------------------------	---	-------------	--

10	<b>R106-8542</b>		LH Drive Cover Assy	1	<b>50.50</b>	
----	------------------	--	---------------------	---	--------------	--

11	<b>R106-8527</b>		Bushing	2	<b>9.25</b>	
----	------------------	--	---------	---	-------------	--

12	<b>R115-3290</b>		RH Support Plate Assy	1	<b>92.80</b>	
----	------------------	--	-----------------------	---	--------------	--

*Tech Note: Incl: R106-8527 bushing:*

13	<b>R106-8530</b>		Seal - Oil	3	<b>9.05</b>	
----	------------------	--	------------	---	-------------	--

15	<b>R107-8105</b>	R106-8520	Bearing-Ball - Extended	4	<b>19.40</b>	
----	------------------	-----------	-------------------------	---	--------------	--

16	<b>R256-2</b>		Bushing - Idler Pulley	2	<b>3.25</b>	
----	---------------	--	------------------------	---	-------------	--

17	<b>R3290-301</b>		Washer - Spring Wave	2	<b>2.95</b>	
----	------------------	--	----------------------	---	-------------	--

18	<b>R3296-5</b>		Locknut - 3/8-24 Jam Nylon	2	<b>0.74</b>	
----	----------------	--	----------------------------	---	-------------	--

19	<b>R106-8529</b>		Plug-Cap	1	<b>16.85</b>	
----	------------------	--	----------	---	--------------	--

20	<b>R115-3282</b>		Washer - HOC Bracket	2	<b>1.50</b>	
----	------------------	--	----------------------	---	-------------	--

All original equipment manufacturers names and part numbers are used for identification purposes only, and we are in no way implying that our products are original equipment parts. Prices subject to change without notice.



# Replaces R&R Products Versa-Green

## 1860 Parts

*Dual Adjust Cutting Unit  
Front Groomer*



Item No	R&R Part No.	OEM Part No.	Description	Qty Req	Price Each	Order Quantity
21	<b>R106-4668</b>		Locknut - 10mm x 1.5 Top Lock	2	<b>1.50</b>	
22	<b>R150647</b>	R105-5342	Plow Bolt - HOC - Front Roller	2	<b>4.45</b>	
23	<b>R33024-00</b>		Locknut - 8mm x 1.25	2	<b>0.67</b>	
24	<b>R57-6380</b>	R33114-025, R48-9460, R60-4540	Bolt - Hex HD M8-1.25 x 25	2	<b>0.70</b>	
25	<b>R117-1511</b>		Bolt - Soc HD Cap	4	<b>2.30</b>	
26	<b>R48-7610</b>	R33113-012	Bolt - Hex HD Nyloc M6 x 12	2	<b>0.59</b>	
27	<b>R105-5711</b>	R119-4165	Shim - Roller	6	<b>4.35</b>	
28	<b>R106-8463</b>		Shim-Groomer	1	<b>6.45</b>	
29	<b>R105-5770</b>		Nut - Shoulder	2	<b>8.60</b>	
30	<b>R110-1700</b>	R66-4460	Spring-Extension	1	<b>4.55</b>	
31	<b>R106-8540</b>		Pulley Assy	1	<b>88.70</b>	
32	<b>R106-8521</b>		Decal-Warning	1	<b>4.75</b>	
33	<b>R115-5219</b>		Pulley-Driven, Splined	1	<b>41.45</b>	
34	<b>R104-4705</b>	R120-2763	Belt - Groomer	1	<b>14.95</b>	
35	<b>R105-5769</b>		Washer	1	<b>0.88</b>	
36	<b>R33103-020</b>		Bolt - Hex Washer M6-1.0 x 20	1	<b>2.15</b>	
37	<b>R33114-010</b>		Bolt - Hex HD M8-1.25 x 10	1	<b>0.66</b>	
38	<b>R105-5761</b>		Grommet	1	<b>7.65</b>	

All original equipment manufacturers names and part numbers are used for identification purposes only, and we are in no way implying that our products are original equipment parts. Prices subject to change without notice.



# Replaces R&R Products Versa-Green

## 1860 Parts

Dual Adjust Cutting Unit  
Front Groomer



Item No	R&R Part No.	OEM Part No.	Description	Qty Req	Price Each	Order Quantity
39	<b>R302-5</b>	R173-0, R21-6010, R255825, R302-37, R302-47, R302-57, R302-58, R302-6, R31-0300, R32-9660, R471214, R471223, R471226, R60-0800, R62-3880, R92-4181, RJD7797, RJD7842, RJD7844, RM0004	Fitting - Grease	4	<b>0.27</b>	
40	<b>R106-8482</b>		Adjuster-Groomer	2	<b>19.40</b>	
41	<b>R107-8107</b>	R106-8490	Washer - Wave	2	<b>5.15</b>	
42	<b>R256-42</b>		Bushing	2	<b>6.30</b>	
43	<b>R106-8489</b>		Bushing-Sleeve	4	<b>3.05</b>	
44	<b>R106-8528</b>		Screw - Lock	2	<b>7.60</b>	
45	<b>R104-9312</b>		Pin - Grooved	2	<b>3.20</b>	
46	<b>R106-8535</b>		RH Lift Arm Assy	1	<b>61.85</b>	
47	<b>R32120-19</b>	R32120-81	E-Ring	2	<b>1.55</b>	
48	<b>R115-3291</b>		Rod - Lift - Groomer	2	<b>6.05</b>	
49	<b>R33113-008</b>		Bolt - Hex HD M6-1.0 x 8	2	<b>0.34</b>	
50	<b>R43-5930</b>	R01-176-0030	Washer - Lock M6	1	<b>0.74</b>	
51	<b>R104-4754</b>		Spring-Detent	2	<b>15.90</b>	

All original equipment manufacturers names and part numbers are used for identification purposes only, and we are in no way implying that our products are original equipment parts. Prices subject to change without notice.



# Replaces R&R Products Versa-Green

## 1860 Parts

Dual Adjust Cutting Unit  
Front Groomer



Item No	R&R Part No.	OEM Part No.	Description	Qty Req	Price Each	Order Quantity
52	<b>R14M7296</b>	R104-2611	Nut - 10mm x 1.5 Flanged	2	<b>0.54</b>	
53	<b>R115-3286</b>		Arm-Groomer, HOC (RH)	1	<b>66.85</b>	
54	<b>R114-4646</b>		Arm-Groomer, HOC (LH)	1	<b>66.85</b>	
55	<b>R106-8536</b>		LH Lift Arm Assy	1	<b>57.40</b>	
<i>Tech Note: Incl: R106-8489 and R256-42 bushings:</i>						
56	<b>R114-4650</b>		Drive Side Plate - LH	1	<b>137.10</b>	
57	<b>R106-8471</b>		Hub-Pivot	1	<b>35.95</b>	
58	<b>R106-8470</b>		LH Idler Assy	1	<b>25.75</b>	
59	<b>R106-2646</b>		Ring - Retaining, Bo	1	<b>2.45</b>	
60	<b>R106-2630</b>		Idler Bearing Assy	1	<b>82.60</b>	
61	<b>R251-259</b>	R251-307	Bearing - Ball	2	<b>11.25</b>	
62	<b>R104-4727</b>		Ring - Retaining	1	<b>0.81</b>	
63	<b>R33023-00</b>	R48-7900, R49-7810	Locknut - ESNA 6mm x 1.0	1	<b>0.29</b>	
64	<b>R24M7139</b>		Washer - Flat 6mm	1	<b>0.70</b>	
65	<b>R33003-00</b>	R65-7980	Hex Nut - Flanged 6-1.0mm	4	<b>0.64</b>	
66	<b>R94-4548</b>		Rubber Bumper	2	<b>2.55</b>	
67	<b>R49-2040</b>	R32104-42, R32104-95, R32144-44	Bolt - Hex Washer 1/4-20 x 3/4	2	<b>0.72</b>	
68	<b>R88-6830</b>		Spacer - Carrier Frame	2	<b>12.45</b>	

All original equipment manufacturers names and part numbers are used for identification purposes only, and we are in no way implying that our products are original equipment parts. Prices subject to change without notice.



# Replaces R&R Products Versa-Green

## 1860 Parts

Dual Adjust Cutting Unit  
Front Groomer



Item No	R&R Part No.	OEM Part No.	Description	Qty Req	Price Each	Order Quantity
69	<b>R453011</b>	3256-24, 453011, R01-166-0100, R01-166-0120, R01-166-0270, R01-166-0500, R01-166-0600, R01-166-0620, R132-4593, R237-12, R24-10-AD, R24-11-AD, R24-11-BD, R24-12-AD, R24-12-BD, R30-9310, R32-8190, R3256-24, R3256-3, R3256-36, R3256-4, R47-9950	Washer - Flat 3/8 SAE Y/Zinc	2	<b>0.11</b>	
70	<b>R98-2389</b>		Spacer-Link, Pull	2	<b>5.65</b>	
71	<b>R100-6440</b>	R17-2889, R94-9632, R95-2901	Pull Link - w/Bushing	2	<b>43.65</b>	
72	<b>R95-0532</b>		Bushing - Pull Link	1	<b>6.95</b>	
73	<b>R256-292</b>	R104-7738	Bushing - Nyliner Bed Bar	2	<b>1.50</b>	
74	<b>R98-1483</b>		Screw - Link Pull	2	<b>22.10</b>	
75	<b>R94-2958</b>	R2411-7	Stud - Alloy Ball Joint	2	<b>3.40</b>	
76	<b>R99-1460</b>	R2411-28, R2411-29, R2411-30, R2411-6, R2411-8, R8-7710, R94-2959	Receiver - Ball Joint	2	<b>11.25</b>	

All original equipment manufacturers names and part numbers are used for identification purposes only, and we are in no way implying that our products are original equipment parts. Prices subject to change without notice.



# Replaces R&R Products Versa-Green

## 1860 Parts

*Dual Adjust Cutting Unit  
Front Groomer*



Item No	R&R Part No.	OEM Part No.	Description	Qty Req	Price Each	Order Quantity
77	<b>R3220-3</b>	R01-191-0624, R3290-149	Nut - Jam Ball Joint	2	<b>0.24</b>	
78	<b>R150485</b>	R2410-30	Cap - Protective Bearing Housing	1	<b>0.70</b>	
79	<b>R94-3559</b>		Screw - Hex Socket Head	2	<b>6.30</b>	
80	<b>R104-9447</b>		Adapter - Motor	1	<b>29.95</b>	

All original equipment manufacturers names and part numbers are used for identification purposes only, and we are in no way implying that our products are original equipment parts. Prices subject to change without notice.