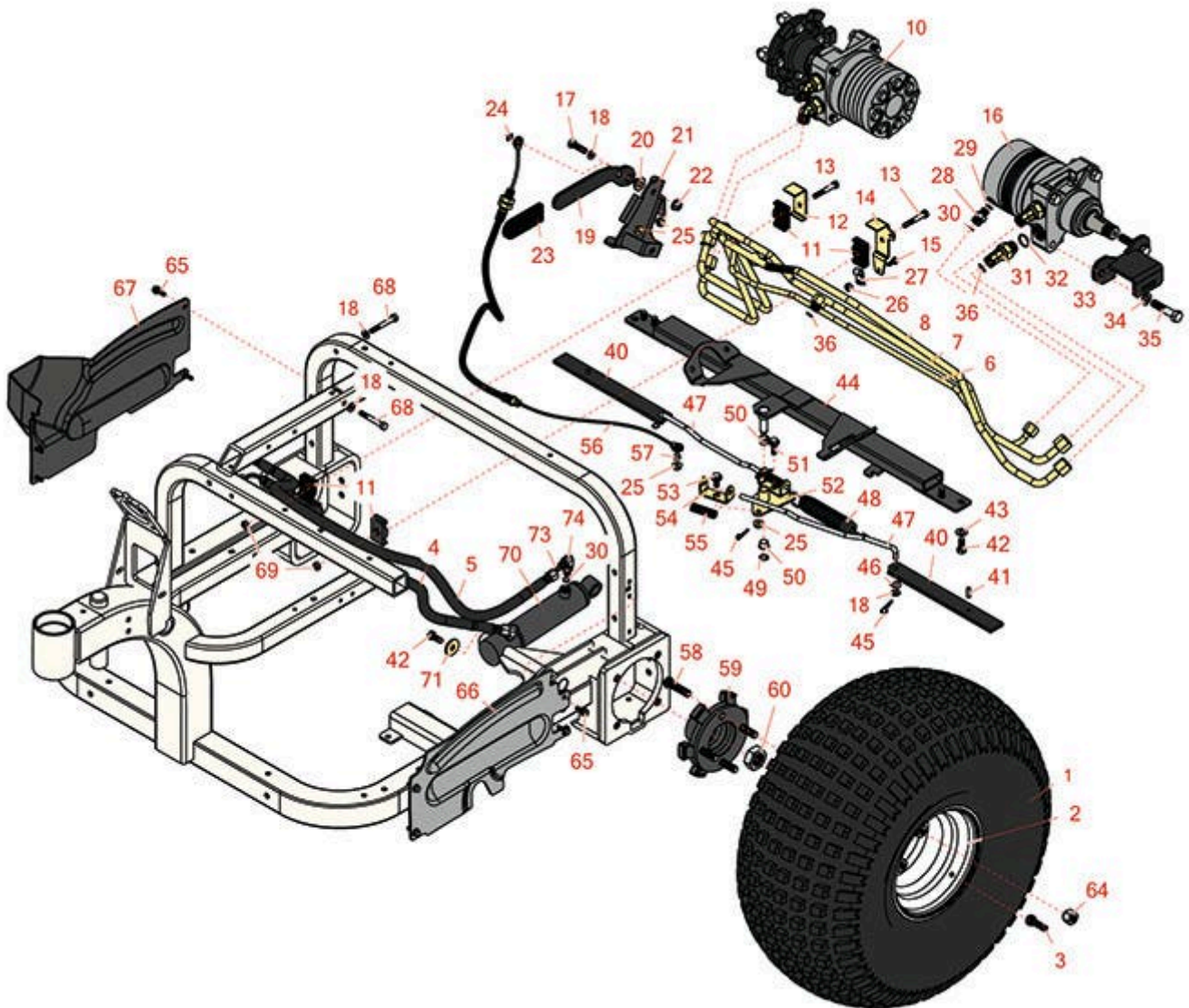
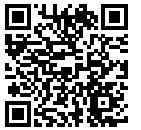




# Replaces R&R Products Sand Max 518

## Parts

Traction Unit  
Rear Wheel



All original equipment manufacturers names and part numbers are used for identification purposes only, and we are in no way implying that our products are original equipment parts. Prices subject to change without notice.



# Replaces R&R Products Sand Max 518

## Parts

Traction Unit

Rear Wheel



Item No	R&R Part No.	OEM Part No.	Description	Qty Req	Price Each	Order Quantity
<b>Hose</b>						
1	<b>RCT537050</b>	R546547	Tire - 22x11.00-8 Nhs (2 Ply) Carlisle Knobby	2	<b>106.80</b>	
2	<b>R94-6116</b>	R114-4643, R242-53, R242-86, R46-4810	Rim - 8x8.5 White	2	<b>70.60</b>	
3	<b>R232-24</b>	R232-35, R341680, R363233, R814687	Stem - Valve w/ Cap	2	<b>3.25</b>	
<b>Tires</b>						
4	<b>R100-3833</b>		Hydraulic Hose Assy	1	<b>51.15</b>	
5	<b>R95-8837</b>	R105-4348	Hydraulic Hose Assy	1	<b>44.40</b>	
6	<b>R110-1330</b>		Tube Assy	1	<b>43.95</b>	
7	<b>R110-1323</b>		Tube Assy	1	<b>84.50</b>	
8	<b>R108-8406</b>		Tube Assy	1	<b>94.35</b>	
<b>Other Parts Available</b>						
10	<b>R108-2949</b>		Hydraulic Motor - Wheel	1	<b>1286.95</b>	
11	<b>R56-7976</b>		Clamp - Tube	4	<b>7.15</b>	
12	<b>R110-1333</b>		Bracket-Clamp	1	<b>6.55</b>	
13	<b>R322-10</b>	R20-30-AD, R24-7180, R3223-6, R513347	Bolt - Hex HD 5/16-18 x 2	2	<b>0.65</b>	
14	<b>R110-1332</b>		Bracket-Clamp	1	<b>10.75</b>	

All original equipment manufacturers names and part numbers are used for identification purposes only, and we are in no way implying that our products are original equipment parts. Prices subject to change without notice.



# Replaces R&R Products Sand Max 518

## Parts

*Traction Unit  
Rear Wheel*



Item No	R&R Part No.	OEM Part No.	Description	Qty Req	Price Each	Order Quantity
15	<b>R400106</b>	R321-3, R513315, R908002P	Bolt - Hex HD 1/4-20 x 5/8	1	<b>0.28</b>	
16	<b>R108-2947</b>		Hydraulic Motor - Wheel	1	<b>1303.70</b>	
17	<b>R400264</b>	323-7, R01-150-0180, R01-178-0610, R19H1732, R20-48-AD, R20-48-AGD, R32-9160, R3224-3, R323-29, R323-7, R400264, R908035P	Bolt - Hex HD 3/8-16 x 1-1/4	1	<b>0.40</b>	
18	<b>R453009</b>	3256-3, R01-166-0400, R24-10-BD, R24-9-AD, R24H1136, R32-9650, R3256-2, R3256-23, R3256-67, R3290-217, R3556-3, R4-2390, R452006, R7-0152	Washer - Flat 5/16 SAE	5	<b>0.13</b>	
19	<b>R108-7991-03</b>		Brake Lever Assy	1	<b>27.35</b>	
20	<b>R108-7994</b>		Bushing-Pivot, Lev	1	<b>5.70</b>	
21	<b>R108-7988-03</b>		Brake Lever Bracket	1	<b>46.05</b>	
22	<b>R104-8301</b>	R109-6658, R133-7570	Locknut - 3/8-16 Nylon Flanged	1	<b>0.84</b>	
23	<b>R21-1880</b>		Grip-Handle	1	<b>7.45</b>	
24	<b>R32151-47</b>	R32151-17	Ring-Retaining	1	<b>1.75</b>	

All original equipment manufacturers names and part numbers are used for identification purposes only, and we are in no way implying that our products are original equipment parts. Prices subject to change without notice.



# Replaces R&R Products Sand Max 518

## Parts

*Traction Unit  
Rear Wheel*



Item No	R&R Part No.	OEM Part No.	Description	Qty Req	Price Each	Order Quantity
25	<b>R104-8300</b>	R119-4041	Locknut - 5/16-18 Flanged Y/Zinc	4	<b>0.47</b>	
26	<b>R301504</b>	R32127-24, R32146-17, R3296-16, R3296-42, R915661P, RM40333	Locknut - ESNA 1/4-20	1	<b>0.18</b>	
27	<b>R2412-89</b>	R2412-113	Clamp	1	<b>2.15</b>	
28	<b>R340-2</b>	R60-1920	Hydraulic Fitting - Striaight	1	<b>6.50</b>	
29	<b>R237-42</b>	R31-4160, R339897	O-Ring	3	<b>0.80</b>	
30	<b>R237-22</b>	R107-8844, R232-72, R237-78	O-Ring	1	<b>0.62</b>	
31	<b>R340-89</b>		Hydraulic Fitting - 45 Deg	4	<b>22.35</b>	
32	<b>R237-80</b>	R327-80	O-Ring	4	<b>1.85</b>	
33	<b>R108-7973-03</b>		Brake Bracket Assy	2	<b>37.30</b>	
34	<b>R3253-7</b>	R01-166-0030, R01-166-0080, R01-166-0290, R01-166-0810, R23-13-GD, R48-9380	Washer - Lock 1/2	8	<b>0.13</b>	
35	<b>R325-10</b>	R01-150-0620, R01-178-0820, R20-91-AGD, R3226-6	Bolt	8	<b>3.25</b>	
36	<b>R237-30</b>	R23-6320	O-Ring - Seal	2	<b>0.78</b>	
40	<b>R108-7986-03</b>		Bar - Brake	2	<b>17.45</b>	
41	<b>R32121-11</b>		Pin - Roll 1/4 x 3/4	2	<b>0.34</b>	

All original equipment manufacturers names and part numbers are used for identification purposes only, and we are in no way implying that our products are original equipment parts. Prices subject to change without notice.



# Replaces R&R Products Sand Max 518

## Parts

*Traction Unit*

*Rear Wheel*



Item No	R&R Part No.	OEM Part No.	Description	Qty Req	Price Each	Order Quantity
42	<b>R400260</b>	R01-178-0605, R18-4100, R19-8270, R323-3, R323-33, R323-34, R323-5	Bolt - Hex HD 3/8-16 x 7/8	4	<b>0.75</b>	
43	<b>R453011</b>	3256-24, 453011, R01-166-0100, R01-166-0120, R01-166-0270, R01-166-0500, R01-166-0600, R01-166-0620, R132-4593, R237-12, R24-10-AD, R24-11-AD, R24-11-BD, R24-12-AD, R24-12-BD, R30-9310, R32-8190, R3256-24, R3256-3, R3256-36, R3256-4, R47-9950	Washer - Flat 3/8 SAE Y/Zinc	4	<b>0.11</b>	
44	<b>R108-2819B</b>		Engine Mount Assy	1	<b>229.55</b>	
45	<b>R3290-307</b>		Pin-Hair	4	<b>2.55</b>	
46	<b>R3290-301</b>		Washer - Spring Wave	2	<b>2.95</b>	
47	<b>R108-7987</b>		Link-Latch - Parking	2	<b>27.70</b>	
48	<b>R66-4270-03</b>	R66-4270	Spring-Extension	1	<b>23.45</b>	
49	<b>R32120-47</b>	R4583, R5701P	Ring-Retaining - External	1	<b>1.20</b>	
50	<b>R256-257</b>	R256-295	Nyliner Bushing	2	<b>2.45</b>	

All original equipment manufacturers names and part numbers are used for identification purposes only, and we are in no way implying that our products are original equipment parts. Prices subject to change without notice.



# Replaces R&R Products Sand Max 518

## Parts

*Traction Unit  
Rear Wheel*



Item No	R&R Part No.	OEM Part No.	Description	Qty Req	Price Each	Order Quantity
51	<b>R19-1471</b>		Screw-Shoulder	1	<b>7.25</b>	
52	<b>R108-7979-03</b>		Bellcrank Assy	1	<b>27.70</b>	
53	<b>R19-1470</b>		Screw-Shoulder	1	<b>5.30</b>	
54	<b>R106-8890-03</b>		Clevis-Latch, Park	2	<b>7.40</b>	
55	<b>R107-3376</b>		Spring-Compression	2	<b>3.25</b>	
56	<b>R108-7913</b>		Cable- Parking Brake	1	<b>52.45</b>	
57	<b>R108-7983</b>		Bushing-Cable	1	<b>6.20</b>	
58	<b>R85-6540</b>		Stud - Drive 1/2-20 x 2	8	<b>7.95</b>	
59	<b>R108-7977-03</b>		Hub-Wheel	2	<b>62.25</b>	
60	<b>R26-3790</b>		Nut - Hex - Wheel Motor 1-20	2	<b>14.75</b>	
64	<b>R242-50</b>		Nut - 1/2-20 Wheel	8	<b>1.50</b>	
65	<b>R32144-10</b>	R32140-81, R32144-3, R34-140-AMVD	Bolt - 1/4-20 x 3/4 Serrated Hx Wshr	8	<b>2.85</b>	
66	<b>R108-6856</b>		Shroud-Wheel, LH	1	<b>68.55</b>	
67	<b>R108-6855</b>		Shroud-Wheel, RH	1	<b>68.55</b>	
68	<b>R322-11</b>	322-11, R01-150-0390, R01-178-0518, R20-31-AD, R3223-7	Bolt - 5/16-18 x 2 1/4 Hx HD	2	<b>1.05</b>	
69	<b>R3296-29</b>	3296-29, R1-804256, R915662P	Locknut - 5/16-18 ESNA	2	<b>2.95</b>	
70	<b>R110-1338</b>		Hydraulic Cylinder	1	<b>319.90</b>	
71	<b>R63-8410</b>	R53-6380, R63-4810	Washer - Isolator Bushing	1	<b>0.77</b>	

All original equipment manufacturers names and part numbers are used for identification purposes only, and we are in no way implying that our products are original equipment parts. Prices subject to change without notice.



# Replaces R&R Products Sand Max 518 Parts

*Traction Unit  
Rear Wheel*



Item No	R&R Part No.	OEM Part No.	Description	Qty Req	Price Each	Order Quantity
73	<b>R237-21</b>		O-Ring	2	<b>0.47</b>	
74	<b>R340-132</b>		Hydraulic Fitting - 90 Deg	2	<b>14.40</b>	

All original equipment manufacturers names and part numbers are used for identification purposes only, and we are in no way implying that our products are original equipment parts. Prices subject to change without notice.