

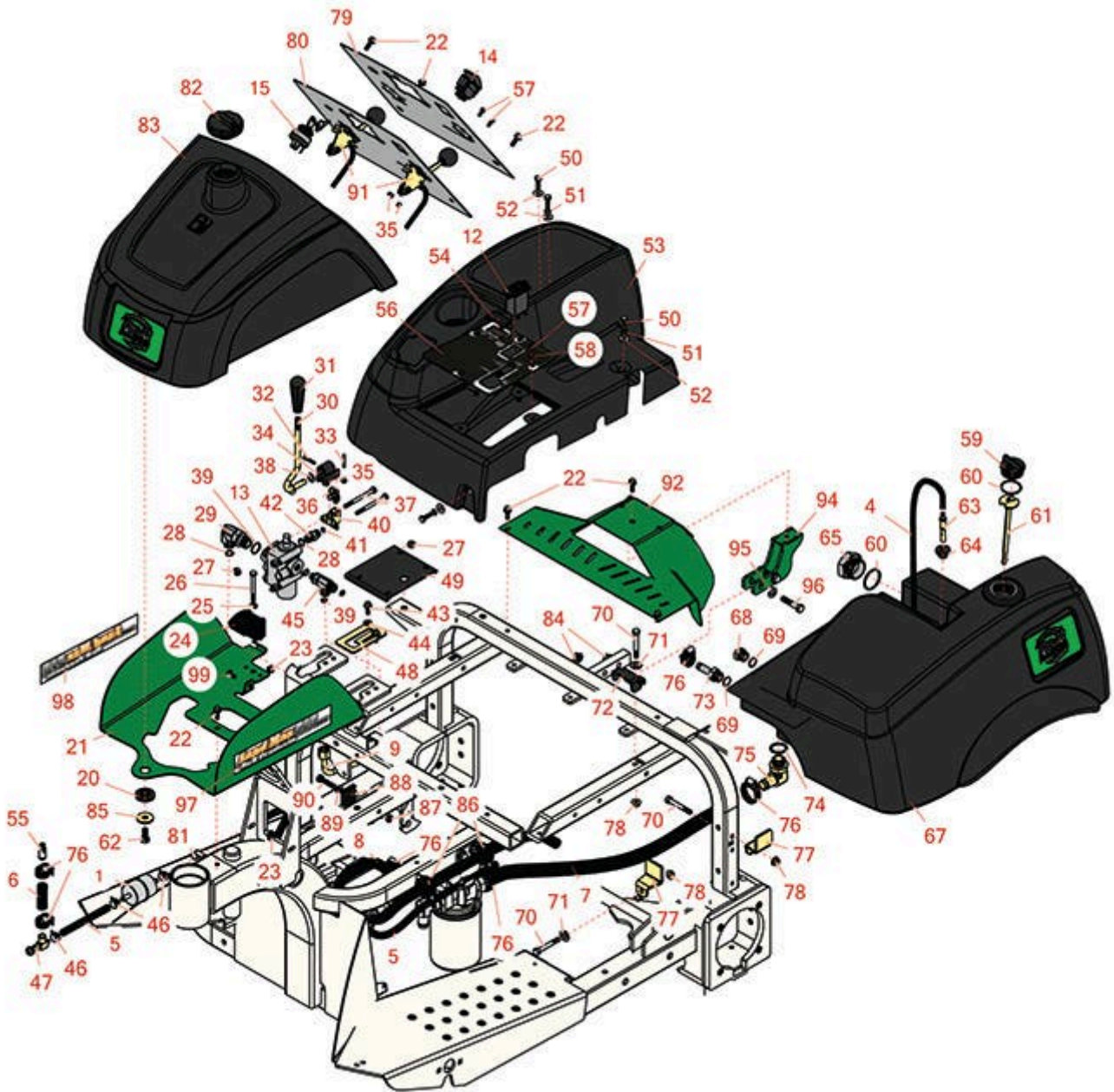


# Replaces R&R Products Sand Max 518

## Parts

Traction Unit

Lift Valve, Hydraulic and Fuel System



All original equipment manufacturers names and part numbers are used for identification purposes only, and we are in no way implying that our products are original equipment parts. Prices subject to change without notice.



# Replaces R&R Products Sand Max 518

## Parts

*Traction Unit*

*Lift Valve, Hydraulic and Fuel System*



Item No	R&R Part No.	OEM Part No.	Description	Qty Req	Price Each	Order Quantity
---------	--------------	--------------	-------------	---------	------------	----------------

### Filters

1	<b>R825619</b>	R108-3832, R108-3854, R821814, R83-1320, R832774, R94-2690, R95-2926, R99-9404	Filter - Fuel	1	<b>6.55</b>	
---	----------------	---	---------------	---	-------------	--

### Hoses

4	<b>R110-8181</b>		Hose-Fuel	1	<b>4.80</b>	
5	<b>R109-0660</b>		Hose-Fuel	2	<b>2.90</b>	
6	<b>R110-3371</b>		Hose-Fuel	1	<b>3.25</b>	
7	<b>R108-5483</b>		Hose-Suction - Tank	1	<b>17.55</b>	
8	<b>R110-1325</b>		Hose-Return	1	<b>22.20</b>	
9	<b>R108-8416</b>		Tube Assy	1	<b>47.75</b>	

### Gauges and Controls

12	<b>R1-513374</b>		Hour Meter	1	<b>61.55</b>	
13	<b>R43-1710</b>	R21-8550, R43-1710-01, R43-1730	Valve Assy	1	<b>308.80</b>	
14	<b>R95-8999</b>		Switch - Headlight	1	<b>28.80</b>	
15	<b>R83-0020</b>		Switch - Key 6 Lead	1	<b>20.45</b>	

### Other Parts Available

20	<b>R240-11</b>		Bushing - Rubber - Flanged	1	<b>2.45</b>	
21	<b>R108-6895G</b>		Bracket-Mount - Tank - Green	1	<b>105.40</b>	

All original equipment manufacturers names and part numbers are used for identification purposes only, and we are in no way implying that our products are original equipment parts. Prices subject to change without notice.



# Replaces R&R Products Sand Max 518 Parts

*Traction Unit*

*Lift Valve, Hydraulic and Fuel System*



Item No	R&R Part No.	OEM Part No.	Description	Qty Req	Price Each	Order Quantity
22	<b>R32144-10</b>	R32140-81, R32144-3, R34-140-AMVD	Bolt - 1/4-20 x 3/4 Serrated Hx Wshr	4	<b>2.85</b>	
23	<b>R104-7201</b>	104-7201	Locknut - 1/4-20 ESNA Flanged	2	<b>0.62</b>	
24	<b>R107-4543</b>		Clamp	2	<b>6.30</b>	
25	<b>R3256-22</b>	R09061, R24-9-BD, R3-1032, R93-0954, R93-0989	Washer - Flat 1/4 Yellow	2	<b>0.12</b>	
26	<b>R400124</b>	R01-178-0420, R20-11-AD, R321-15	Bolt - Hex HD 1/4-20 x 2-1/2 GR5	2	<b>0.83</b>	
27	<b>R301504</b>	R32127-24, R32146-17, R3296-16, R3296-42, R915661P, RM40333	Locknut - ESNA 1/4-20	7	<b>0.18</b>	
28	<b>R237-22</b>	R107-8844, R232-72, R237-78	O-Ring	5	<b>0.62</b>	
29	<b>R340-77</b>	R340-100, R95-7889	Hydraulic Fitting	1	<b>15.85</b>	
30	<b>R108-7942</b>		Rear Lever Assy	1	<b>35.95</b>	
31	<b>R98-0152</b>		Knob-Tapered	1	<b>13.70</b>	
32	<b>R3290-360</b>		Bolt	2	<b>3.95</b>	
33	<b>R32121-73</b>	R29-56-D, R32121-7, R95462	Pin - Roll	1	<b>0.19</b>	
34	<b>R98-8159</b>		Pivot	1	<b>34.05</b>	

All original equipment manufacturers names and part numbers are used for identification purposes only, and we are in no way implying that our products are original equipment parts. Prices subject to change without notice.



# Replaces R&R Products Sand Max 518

## Parts

*Traction Unit*

*Lift Valve, Hydraulic and Fuel System*



Item No	R&R Part No.	OEM Part No.	Description	Qty Req	Price Each	Order Quantity
35	<b>R3296-2</b>	R32127-10, R9157404	Nut - #10 Lock	6	<b>0.94</b>	
36	<b>R2710-20</b>		Link - Offset	1	<b>5.35</b>	
37	<b>R321-23</b>		Bolt - Hx HD 1/4-20 x 3	3	<b>2.55</b>	
38	<b>R3290-477</b>	R108473	Washer - Spring Wave	1	<b>0.75</b>	
39	<b>R237-42</b>	R31-4160, R339897	O-Ring	2	<b>0.80</b>	
40	<b>R88-8480</b>	R85-8920	Bracket-Pivot	1	<b>10.75</b>	
41	<b>R237-21</b>		O-Ring	2	<b>0.47</b>	
42	<b>R340-92</b>		Hydraulic Fitting - Striaght	2	<b>6.95</b>	
43	<b>R3234-33</b>		Bolt - 1/4-20 x 3/4 Serr Hex Flanged	2	<b>0.51</b>	
44	<b>R453023</b>	R3256-1, R3256-72	Washer - Flat 1/4	2	<b>0.12</b>	
45	<b>R340-86</b>		Fitting-Tee	1	<b>21.75</b>	
46	<b>R2412-98</b>		Clamp - Spring - Hose 1/4	3	<b>0.57</b>	
47	<b>R83-1390</b>		Needle Valve - in Line	1	<b>24.95</b>	
48	<b>R108-7941</b>		Plate-Guide, Lever	1	<b>10.65</b>	
49	<b>R108-7995-03</b>		Plate - Support	1	<b>11.35</b>	
50	<b>R321-5</b>	R321-31, R400110	Bolt - Hex HD 1/4-20 x 7/8	7	<b>0.29</b>	
51	<b>R3254-8</b>	R3	Washer - Lock 1/4 Int Star Z	3	<b>0.08</b>	
52	<b>R3256-78</b>		Washer - Flat	7	<b>1.20</b>	
53	<b>R108-2936</b>		Console	1	<b>155.05</b>	
54	<b>R99-7420</b>	R100-8493	Plug-Hole	2	<b>4.55</b>	

All original equipment manufacturers names and part numbers are used for identification purposes only, and we are in no way implying that our products are original equipment parts. Prices subject to change without notice.



# Replaces R&R Products Sand Max 518

## Parts

*Traction Unit*

*Lift Valve, Hydraulic and Fuel System*



Item No	R&R Part No.	OEM Part No.	Description	Qty Req	Price Each	Order Quantity
55	<b>R150931</b>		Fitting - Hose	1	<b>5.15</b>	
56	<b>R108-7909-03</b>		Panel-Control	1	<b>12.95</b>	
57	<b>R3290-321</b>	R01-158-0200, R31-0130, R3250-12	Screw-Hex Washer HD 10-24 x 1/2	8	<b>2.85</b>	
58	<b>R3256-14</b>	R24-7-BD, R297-3, R32125-2, R3256-51, R51-2170	Washer - 10 Flat	4	<b>0.34</b>	
59	<b>R93-7498</b>		Plug-Oil	1	<b>14.25</b>	
60	<b>R237-101</b>		O-Ring	2	<b>2.15</b>	
62	<b>R400260</b>	R01-178-0605, R18-4100, R19-8270, R323-3, R323-33, R323-34, R323-5	Bolt - Hex HD 3/8-16 x 7/8	1	<b>0.75</b>	
61	<b>R108-7996</b>		Dipstick Assy	1	<b>22.95</b>	
63	<b>R110-1372</b>		Fitting-Vent, Tank	1	<b>21.25</b>	
64	<b>R46-6560</b>		Bushing	1	<b>3.55</b>	
65	<b>R108-8468</b>		Plug-Hh	1	<b>10.95</b>	
67	<b>R108-2937</b>		Tank-Hyd	1	<b>823.70</b>	
68	<b>R353-550</b>	R353-843	Plug - Drain - Hyd Tank	1	<b>6.50</b>	
69	<b>R237-79</b>		O-Ring	2	<b>1.50</b>	
70	<b>R322-12</b>	322-12, R01-150-0730, R01-178-0520	Bolt - 5/16-18 x 2 1/2 Hx HD	3	<b>2.30</b>	

All original equipment manufacturers names and part numbers are used for identification purposes only, and we are in no way implying that our products are original equipment parts. Prices subject to change without notice.



# Replaces R&R Products Sand Max 518

## Parts

*Traction Unit*

*Lift Valve, Hydraulic and Fuel System*



Item No	R&R Part No.	OEM Part No.	Description	Qty Req	Price Each	Order Quantity
71	<b>R310266</b>	3256-3, R09056, R452004	Washer - Flat 5/16 USS	3	<b>0.23</b>	
72	<b>R108-7903</b>		Clamp-Tank	1	<b>17.55</b>	
73	<b>R354-121</b>	R92-1665	Fitting-Straight	1	<b>10.95</b>	
74	<b>R237-81</b>		O-Ring	1	<b>2.30</b>	
75	<b>R353-987</b>		Hydraulic Fitting - 90 Deg	1	<b>40.95</b>	
76	<b>R2412-36</b>	R2210-87, R31-9140, R93-5818, R99-0772	Clamp - Hose 1/2	2	<b>2.75</b>	
77	<b>R108-7965</b>		Clamp-Tank, Hyd	2	<b>11.25</b>	
78	<b>R104-8300</b>	R119-4041	Locknut - 5/16-18 Flanged Y/Zinc	5	<b>0.47</b>	
79	<b>R108-8487</b>		Decal-Dash	1	<b>41.55</b>	
80	<b>R108-6896-03</b>		Panel-Dash	1	<b>38.45</b>	
81	<b>R2412-73</b>		Clamp - Rubber Coated	1	<b>2.55</b>	
82	<b>R93-7170</b>		Cap - Fuel w/Tether	1	<b>25.25</b>	
83	<b>R108-2938</b>		Tank-Fuel	1	<b>239.15</b>	
84	<b>R104-8301</b>	R109-6658, R133-7570	Locknut - 3/8-16 Nylon Flanged	2	<b>0.84</b>	
85	<b>R63-8410</b>	R53-6380, R63-4810	Washer - Isolator Bushing	1	<b>0.77</b>	
86	<b>R240-4</b>		Grommet - Rubber	3	<b>6.80</b>	
87	<b>R3296-29</b>	3296-29, R1-804256, R915662P	Locknut - 5/16-18 ESNA	1	<b>2.95</b>	
88	<b>R56-7973</b>		Clamp - Tube	2	<b>13.95</b>	

All original equipment manufacturers names and part numbers are used for identification purposes only, and we are in no way implying that our products are original equipment parts. Prices subject to change without notice.



# Replaces R&R Products Sand Max 518

## Parts

*Traction Unit*

*Lift Valve, Hydraulic and Fuel System*



Item No	R&R Part No.	OEM Part No.	Description	Qty Req	Price Each	Order Quantity
89	<b>R453009</b>	3256-3, R01-166-0400, R24-10-BD, R24-9-AD, R24H1136, R32-9650, R3256-2, R3256-23, R3256-67, R3290-217, R3556-3, R4-2390, R452006, R7-0152	Washer - Flat 5/16 SAE	1	<b>0.13</b>	
90	<b>R322-7</b>	R01-150-0750, R01-150-0760, R01-178-0512, R20-28-AD, R20-28-AGD, R3223-4	Bolt - Hex HD 5/16-18 x 1-1/2	1	<b>0.62</b>	
91	<b>R110-0913</b>		Control-Throttle	2	<b>45.20</b>	
92	<b>R108-7970G</b>		Rear Cover Assy	1	<b>69.75</b>	
94	<b>R110-1368G</b>		Roller Plate Assy - Green	1	<b>79.30</b>	
95	<b>R100-4852</b>		Washer - Hardened	2	<b>4.15</b>	
96	<b>R323-9</b>	323-9, R01-150-0190, R01-150-1540, R01-178-0614, R107229, R20-50-AD, R20-50-AGD, R30-9430, R32105-4, R3224-5, R513363, R513364, R5377, R908037P	Bolt - Hex HD 3/8-16 x 1-3/4	2	<b>0.91</b>	
97	<b>R151152</b>		Decal - LH - RSM516	1	<b>26.35</b>	

All original equipment manufacturers names and part numbers are used for identification purposes only, and we are in no way implying that our products are original equipment parts. Prices subject to change without notice.



# Replaces R&R Products Sand Max 518 Parts



*Traction Unit*

*Lift Valve, Hydraulic and Fuel System*

Item No	R&R Part No.	OEM Part No.	Description	Qty Req	Price Each	Order Quantity
98	<b>R151151</b>		Decal - RH - RSM516	1	<b>26.35</b>	
99	<b>R3229-1</b>	R01-173-0406, R01-178-0408, R3229-25, R900015P	Bolt - 1/4-20 x 3/4 - Carriage	1	<b>2.30</b>	

All original equipment manufacturers names and part numbers are used for identification purposes only, and we are in no way implying that our products are original equipment parts. Prices subject to change without notice.