

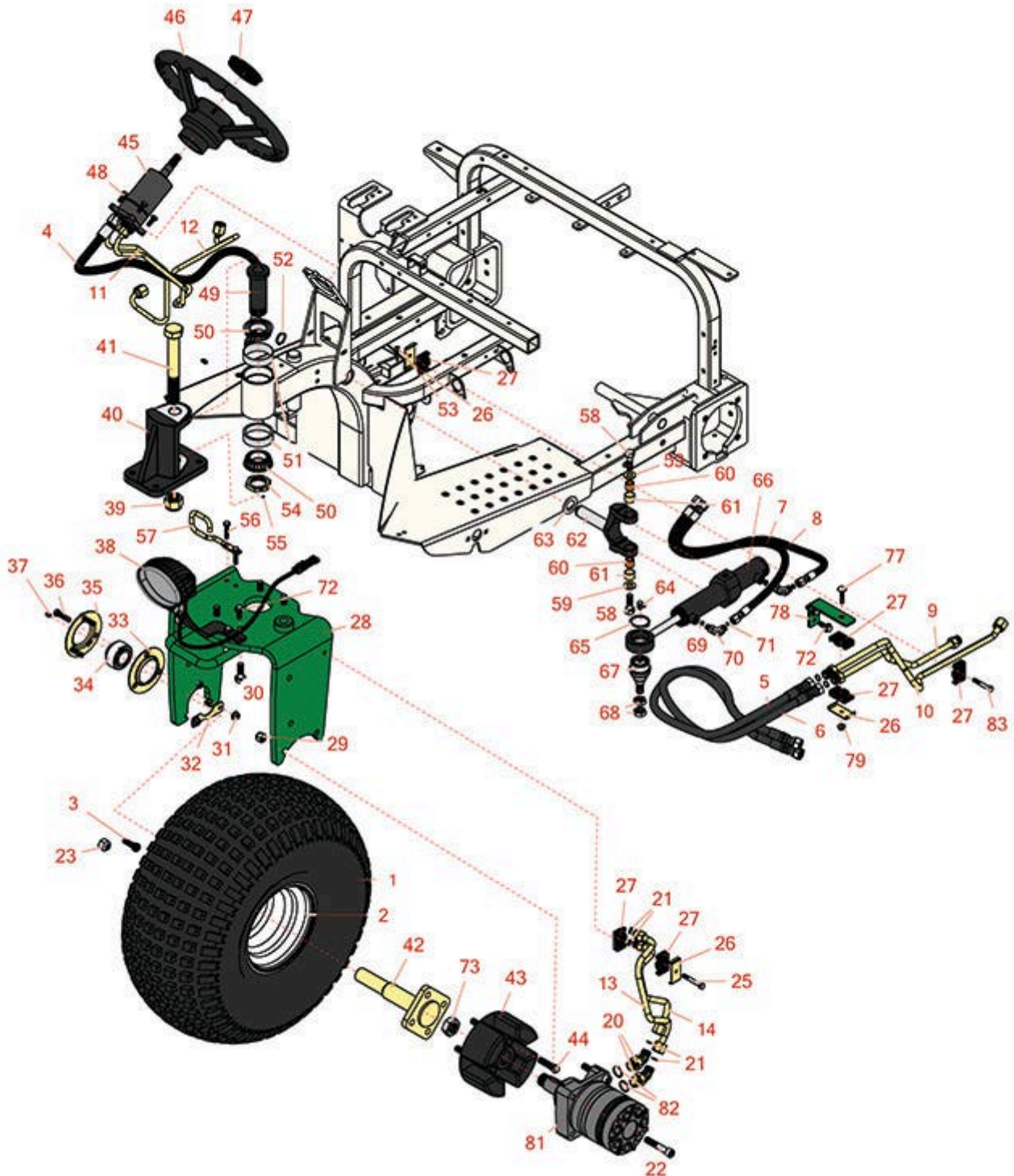


# Replaces R&R Products Sand Max 518

## Parts

Traction Unit

Front Wheel & Steering



All original equipment manufacturers names and part numbers are used for identification purposes only, and we are in no way implying that our products are original equipment parts. Prices subject to change without notice.



# Replaces R&R Products Sand Max 518

## Parts

Traction Unit

Front Wheel & Steering



Item No	R&R Part No.	OEM Part No.	Description	Qty Req	Price Each	Order Quantity
---------	--------------	--------------	-------------	---------	------------	----------------

### Tires

1	<b>RCT537050</b>	R546547	Tire - 22x11.00-8 Nhs (2 Ply) Carlisle Knobby	1	<b>106.80</b>	
2	<b>R94-6116</b>	R114-4643, R242-53, R242-86, R46-4810	Rim - 8x8.5 White	1	<b>70.60</b>	
3	<b>R232-24</b>	R232-35, R341680, R363233, R814687	Stem - Valve w/ Cap	1	<b>3.25</b>	

### Hoses

4	<b>R93-5385</b>		Hydraulic Hose Assy	1	<b>97.55</b>	
5	<b>R108-8433</b>		Hydraulic Hose Assy	1	<b>62.80</b>	
6	<b>R110-6303</b>		Hydraulic Hose Assy	1	<b>74.70</b>	
7	<b>R108-6508</b>		Hydraulic Hose Assy	1	<b>34.85</b>	
8	<b>R105-4347</b>		Hydraulic Hose Assy	1	<b>56.05</b>	
9	<b>R108-8411</b>		Tube Assy	1	<b>48.80</b>	
10	<b>R108-8409</b>		Tube Assy	1	<b>49.20</b>	
11	<b>R108-8414</b>		Tube Assy	1	<b>50.45</b>	
12	<b>R108-8415</b>		Tube Assy	1	<b>55.40</b>	
13	<b>R108-8432</b>	R108-8432-01	Tube Assy	1	<b>41.25</b>	
14	<b>R108-8431</b>		Tube Assy	1	<b>37.60</b>	

### Other Parts Available

20	<b>R340-89</b>		Hydraulic Fitting - 45 Deg	2	<b>22.35</b>	
21	<b>R237-30</b>	R23-6320	O-Ring - Seal	7	<b>0.78</b>	

All original equipment manufacturers names and part numbers are used for identification purposes only, and we are in no way implying that our products are original equipment parts. Prices subject to change without notice.



# Replaces R&R Products Sand Max 518 Parts

*Traction Unit  
Front Wheel & Steering*



Item No	R&R Part No.	OEM Part No.	Description	Qty Req	Price Each	Order Quantity
22	<b>R3274-93</b>		Bolt - Soc HD Cap	4	<b>6.25</b>	
23	<b>R242-50</b>		Nut - 1/2-20 Wheel	4	<b>1.50</b>	
25	<b>R322-12</b>	322-12, R01-150-0730, R01-178-0520	Bolt - 5/16-18 x 2 1/2 Hx HD	1	<b>2.30</b>	
26	<b>R69-9760</b>		Cover Plate - Hyd Line Clamp	3	<b>3.55</b>	
27	<b>R56-7976</b>		Clamp - Tube	6	<b>7.15</b>	
28	<b>R108-0573G</b>		Castor Fork Assy - Green	1	<b>549.65</b>	
29	<b>RF5003</b>	3296-23, R32127-29, R32131-5, R32132-5, R3296-23, R64229-05	Locknut - ESNA 1/2-13	2	<b>0.78</b>	
30	<b>R400408</b>	325-6, R01-150-0090, R01-178-0812, R20-87-AD, R20-87-AGD, R20-87-AGF, R3226-2, R325-6, R513376, R513378	Bolt - Hex HD 1/2-13 x 1-1/2	4	<b>2.30</b>	
31	<b>R104-8301</b>	R109-6658, R133-7570	Locknut - 3/8-16 Nylon Flanged	3	<b>0.84</b>	
32	<b>R88-8350</b>		Tab-Bearing	1	<b>4.65</b>	
33	<b>R85-8950</b>		Flange - Ball Bearing	1	<b>6.15</b>	
34	<b>R251-352</b>		Bearing	1	<b>22.65</b>	
35	<b>R85-8940</b>		Flange - w/Zerk	1	<b>5.15</b>	

All original equipment manufacturers names and part numbers are used for identification purposes only, and we are in no way implying that our products are original equipment parts. Prices subject to change without notice.



# Replaces R&R Products Sand Max 518 Parts

*Traction Unit  
Front Wheel & Steering*



Item No	R&R Part No.	OEM Part No.	Description	Qty Req	Price Each	Order Quantity
36	<b>R400264</b>	323-7, R01-150-0180, R01-178-0610, R19H1732, R20-48-AD, R20-48-AGD, R32-9160, R3224-3, R323-29, R323-7, R400264, R908035P	Bolt - Hex HD 3/8-16 x 1-1/4	3	<b>0.40</b>	
37	<b>R302-5</b>	R173-0, R21-6010, R255825, R302-37, R302-47, R302-57, R302-58, R302-6, R31-0300, R32-9660, R471214, R471223, R471226, R60-0800, R62-3880, R92-4181, RJD7797, RJD7842, RJD7844, RM0004	Fitting - Grease	1	<b>0.27</b>	
38	<b>R151712</b>	R108-6471, R112-9177, R94-9024	LED Oval Work Light - 12 LED 30w	1	<b>78.25</b>	
39	<b>R104-2024</b>		Nut-Lock	1	<b>10.95</b>	
40	<b>R108-5431</b>		Pivot-Steering	1	<b>115.90</b>	
41	<b>R3216-16</b>		Bolt - Hex HD	1	<b>44.55</b>	
42	<b>R110-6314</b>		Spindle	1	<b>87.80</b>	

All original equipment manufacturers names and part numbers are used for identification purposes only, and we are in no way implying that our products are original equipment parts. Prices subject to change without notice.



# Replaces R&R Products Sand Max 518 Parts

*Traction Unit  
Front Wheel & Steering*



Item No	R&R Part No.	OEM Part No.	Description	Qty Req	Price Each	Order Quantity
43	<b>R110-6310</b>		Front Wheel Hub Assy	1	<b>174.50</b>	
44	<b>R85-6540</b>		Stud - Drive 1/2-20 x 2	4	<b>7.95</b>	
45	<b>R108-2924</b>		Valve - Steering	1	<b>543.50</b>	
46	<b>R150946</b>		Wheel - Steering 14 in	1	<b>193.75</b>	
47	<b>R150267</b>		Cap - Steering Wheel	1	<b>16.45</b>	
48	<b>R66-3160</b>	R33114-020, R43-0110, R48-7710	Bolt - Flanged Hex HD	4	<b>0.45</b>	
49	<b>R108-8470</b>		Sleeve-Steering	1	<b>48.70</b>	
50	<b>R107-7589</b>		Tapered Bearing Cone - w/Seal	2	<b>33.10</b>	
51	<b>R107-7590</b>		Tapered Bearing Cup	2	<b>11.70</b>	
52	<b>R458039</b>	R32151-36	Ring - Retaining	1	<b>1.55</b>	
53	<b>R3296-29</b>	3296-29, R1-804256, R915662P	Locknut - 5/16-18 ESNA	1	<b>2.95</b>	
54	<b>R108-8471</b>		Nut-Steering	1	<b>24.15</b>	
55	<b>R3245-1</b>	R244-19, R32104-67	Screw - Set 1/4-20 x 1/4	1	<b>1.10</b>	
56	<b>R322-7</b>	R01-150-0750, R01-150-0760, R01-178-0512, R20-28-AD, R20-28-AGD, R3223-4	Bolt - Hex HD 5/16-18 x 1-1/2	2	<b>0.62</b>	
57	<b>R108-8435</b>		Guide-Hose	1	<b>9.80</b>	
58	<b>R94-7976</b>	R3213-2	Bolt - 1/2-20 x 1 1/4 Hx HD	2	<b>2.35</b>	

All original equipment manufacturers names and part numbers are used for identification purposes only, and we are in no way implying that our products are original equipment parts. Prices subject to change without notice.



# Replaces R&R Products Sand Max 518 Parts

*Traction Unit  
Front Wheel & Steering*



Item No	R&R Part No.	OEM Part No.	Description	Qty Req	Price Each	Order Quantity
59	<b>R3256-26</b>	3256-26, R01-166-0540, R01-166-0820, R17-2530, R24-13-BD, R30-8570, R356206, R48-9390	Washer - 1/2 in	2	<b>0.41</b>	
60	<b>R108-8483</b>		Spacer-Plain	2	<b>5.35</b>	
61	<b>R108-8482</b>		Bushing - Sleeve 3/4 x 7/8 x 5/8	2	<b>5.85</b>	
62	<b>R108-8481</b>		Yoke and Bushing Assy	1	<b>76.15</b>	
63	<b>R3256-42</b>		Washer-Flat	1	<b>1.20</b>	
64	<b>R302-40</b>	R302-13	Fitting - Grease	1	<b>0.82</b>	
65	<b>R32151-104</b>		Ring - Retaining, Ex	1	<b>4.35</b>	
66	<b>R114-0620</b>	R107-3528	Hydraulic Cylinder	1	<b>602.40</b>	
67	<b>R106-6774</b>	R92-5838, R92-5838-01	Ball Joint	1	<b>48.65</b>	
68	<b>R150926</b>		Nut - Hex Jam M16-1.5	2	<b>2.45</b>	
69	<b>R237-22</b>	R107-8844, R232-72, R237-78	O-Ring	2	<b>0.62</b>	
70	<b>R340-132</b>		Hydraulic Fitting - 90 Deg	2	<b>14.40</b>	
71	<b>R237-21</b>		O-Ring	2	<b>0.47</b>	
72	<b>R32144-14</b>	R32104-32, R32104-49	Bolt - Hex Washer 5/16-18 x 5/8	2	<b>2.45</b>	
73	<b>R26-3790</b>		Nut - Hex - Wheel Motor 1-20	1	<b>14.75</b>	
77	<b>R3230-6</b>		Bolt - Carraige	1	<b>1.65</b>	
78	<b>R108-8455G</b>		Bracket - Clamp - Green	1	<b>7.60</b>	

All original equipment manufacturers names and part numbers are used for identification purposes only, and we are in no way implying that our products are original equipment parts. Prices subject to change without notice.



# Replaces R&R Products Sand Max 518 Parts

*Traction Unit  
Front Wheel & Steering*



Item No	R&R Part No.	OEM Part No.	Description	Qty Req	Price Each	Order Quantity
79	<b>R104-8300</b>	R119-4041	Locknut - 5/16-18 Flanged Y/Zinc	3	<b>0.47</b>	
81	<b>R108-2948</b>		Hydraulic Motor - Wheel	1	<b>1286.95</b>	
82	<b>R237-80</b>	R327-80	O-Ring	2	<b>1.85</b>	
83	<b>R322-10</b>	R20-30-AD, R24-7180, R3223-6, R513347	Bolt - Hex HD 5/16-18 x 2	1	<b>0.65</b>	

All original equipment manufacturers names and part numbers are used for identification purposes only, and we are in no way implying that our products are original equipment parts. Prices subject to change without notice.