

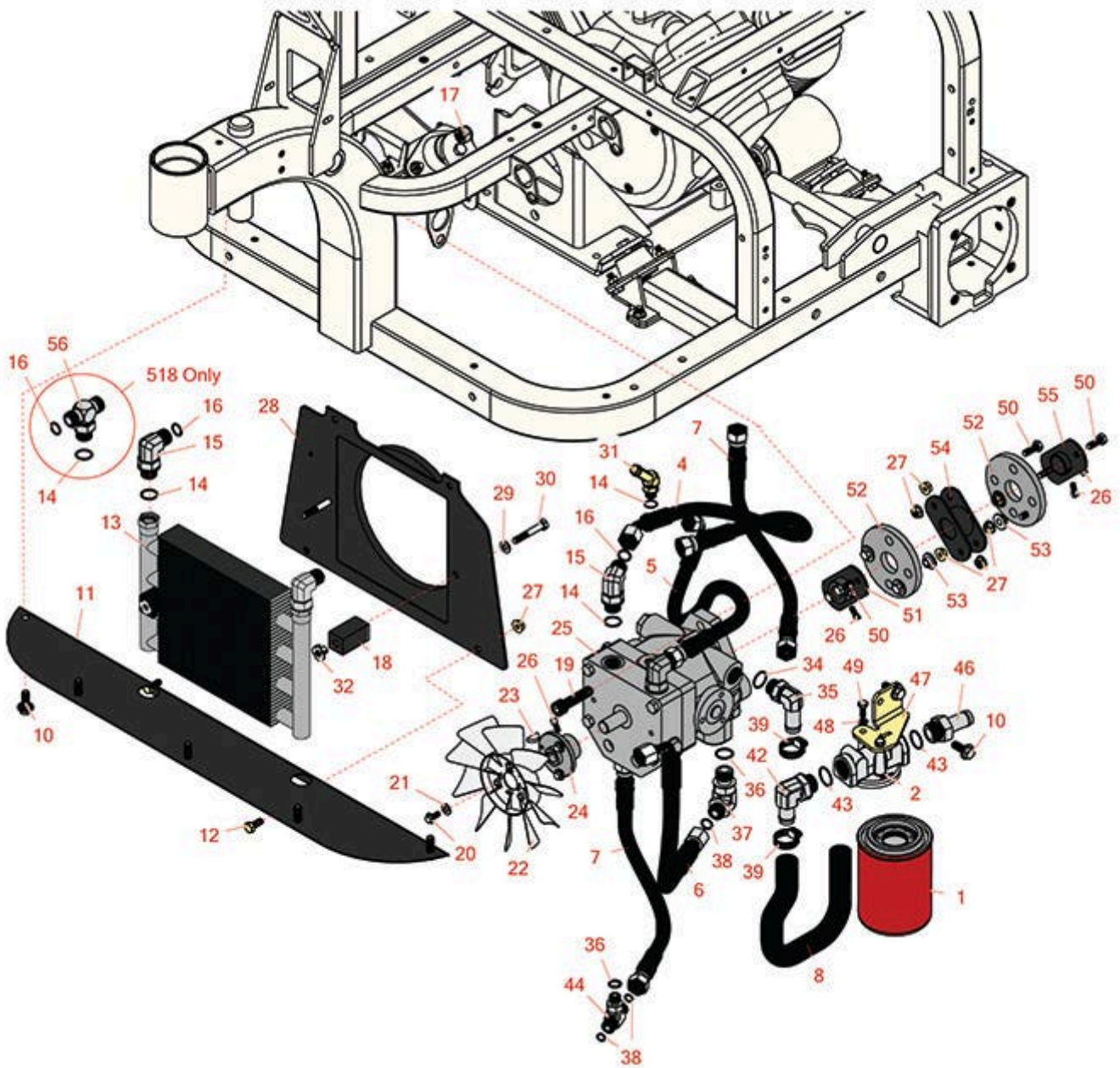


Replaces R&R Products Sand Max 518

Parts

Traction Unit

Hydraulic Pump Coupling



All original equipment manufacturers names and part numbers are used for identification purposes only, and we are in no way implying that our products are original equipment parts. Prices subject to change without notice.



Replaces R&R Products Sand Max 518

Parts

Traction Unit

Hydraulic Pump Coupling



Item No	R&R Part No.	OEM Part No.	Description	Qty Req	Price Each	Order Quantity
1	R86-3010	R12-5270, R23-9740, R28-1370, R353-387, R522972, R54-0110, R549597, R76-6490, RZS48758	Baldwin Hydraulic Oil Filter	1	10.20	
1	RRF10611		SilverGuard Hydraulic Oil Filter	1	8.75	
2	R68-8990		Filter Head Assy	1	85.10	
Hoses						
4	R108-8440		Hydraulic Hose Assy	1	61.20	
5	R110-1322		Hydraulic Hose Assy	1	50.30	
6	R108-8428		Hydraulic Hose Assy	1	37.25	
7	R108-8426		Hydraulic Hose Assy	1	46.55	
8	R108-5481		Hose-Suction	1	45.65	
Other Parts Available						
10	R32144-14	R32104-32, R32104-49	Bolt - Hex Washer 5/16-18 x 5/8	7	2.45	
11	R108-5480-03		Panel-Cooler	1	21.20	
12	R322-3	R01-150-1420, R01-178-0506, R09109, R20-24-AD, R20-24-AGD, R48-9270, R513339, R908017P, RB311201	Bolt - Hex HD 5/16-18 x 3/4	2	0.62	

All original equipment manufacturers names and part numbers are used for identification purposes only, and we are in no way implying that our products are original equipment parts. Prices subject to change without notice.



Replaces R&R Products Sand Max 518

Parts

Traction Unit

Hydraulic Pump Coupling



Item No	R&R Part No.	OEM Part No.	Description	Qty Req	Price Each	Order Quantity
13	R108-8457		Cooler - Hyd Oil	1	278.10	
14	R237-79		O-Ring	5	1.50	
15	R340-98		Hydraulic Fitting	4	15.60	
16	R237-30	R23-6320	O-Ring - Seal	4	0.78	
17	RF5003	3296-23, R32127-29, R32131-5, R32132-5, R3296-23, R64229-05	Locknut - ESNA 1/2-13	2	0.78	
18	R85-9550		Clamp - Rubber	2	9.45	
19	R3274-5		Bolt - 1/2-13 x 2 Soc HD Cap	2	2.85	
20	R3274-52	R3274-24, R52-5890	Screw - Soc HD Cap Scr	3	3.45	
21	R3256-22	R09061, R24-9-BD, R3-1032, R93-0954, R93-0989	Washer - Flat 1/4 Yellow	3	0.12	
22	R150939		Fan - Hydrostat - 3 Hole Mount	1	22.45	
23	R1164	R10-7070, R48-004-1931, R62-3380, R66-004-3221, R85-9020, RM-01-D-1164	Key - 1/4 x 1/4 x 1	1	0.78	
24	R150940		Hub-Fan	1	82.40	
25	R114-0612	R108-2934	Pump - Variable	1	2339.90	
26	R3241-7		Set Screw - 1/4-20 x 1/2 Sq HD Nyloc	6	2.35	
27	R104-8300	R119-4041	Locknut - 5/16-18 Flanged Y/Zinc	10	0.47	

All original equipment manufacturers names and part numbers are used for identification purposes only, and we are in no way implying that our products are original equipment parts. Prices subject to change without notice.



Replaces R&R Products Sand Max 518

Parts

Traction Unit

Hydraulic Pump Coupling



Item No	R&R Part No.	OEM Part No.	Description	Qty Req	Price Each	Order Quantity
28	R108-5477		Shroud-Fan	1	90.30	
29	R453009	3256-3, R01-166-0400, R24-10-BD, R24-9-AD, R24H1136, R32-9650, R3256-2, R3256-23, R3256-67, R3290-217, R3556-3, R4-2390, R452006, R7-0152	Washer - Flat 5/16 SAE	2	0.13	
30	R322-10	R20-30-AD, R24-7180, R3223-6, R513347	Bolt - Hex HD 5/16-18 x 2	2	0.65	
31	R354-126		Hydraulic Fitting - 45 Deg	1	26.80	
34	R237-80	R327-80	O-Ring	1	1.85	
35	R95-0629	R87-8170	Hydraulic Fitting - Push 90 Deg	1	41.55	
36	R237-42	R31-4160, R339897	O-Ring	1	0.80	
37	R340-77	R340-100, R95-7889	Hydraulic Fitting	1	15.85	
38	R237-22	R107-8844, R232-72, R237-78	O-Ring	1	0.62	
39	R2412-34	R31-0120	Clamp - Hose .75-1.5	2	1.50	
42	R353-987		Hydraulic Fitting - 90 Deg	1	40.95	
43	R237-81		O-Ring	2	2.30	
46	R354-73		Fitting-Straight	1	15.90	

All original equipment manufacturers names and part numbers are used for identification purposes only, and we are in no way implying that our products are original equipment parts. Prices subject to change without notice.



Replaces R&R Products Sand Max 518

Parts

Traction Unit

Hydraulic Pump Coupling



Item No	R&R Part No.	OEM Part No.	Description	Qty Req	Price Each	Order Quantity
47	R108-5482		Bracket-Filter - Oil	1	14.05	
48	R3253-3	446130, R01-166-0070, R01-166-0410, R23-9-GD, R24-7150, R352-167, R446128, R446130	Washer - Lock 1/4	2	0.11	
49	R321-4	400108, R01-150-1030, R01-178-0406, R20-3-AGD, R3222-1, R400108	Bolt - Hex HD 1/4-20 x 3/4	2	0.52	
50	R322-4	R3290-115, R908018P	Bolt - Hex HD 5/16-18 x 7/8	8	0.47	
51	R85-8700		Hub-Pump	1	66.65	
52	R44-2230	R115-4523, R27-6560, R80-8650	Coupling - Rubber - Pump	2	24.55	
53	R27-6600		Spacer - Pump Coupling	8	3.20	
54	R85-8770		Coupling	1	48.50	
55	R85-8730		Hub-Engine	1	66.70	
56	R340-157		Hydraulic Fitting - Tee	1	33.80	
<i>Tech Note: SandMax 518:</i>						
60	R340-94		Adapter	1	19.95	
61	R85-9670		T-Nut	2	1.45	

All original equipment manufacturers names and part numbers are used for identification purposes only, and we are in no way implying that our products are original equipment parts. Prices subject to change without notice.