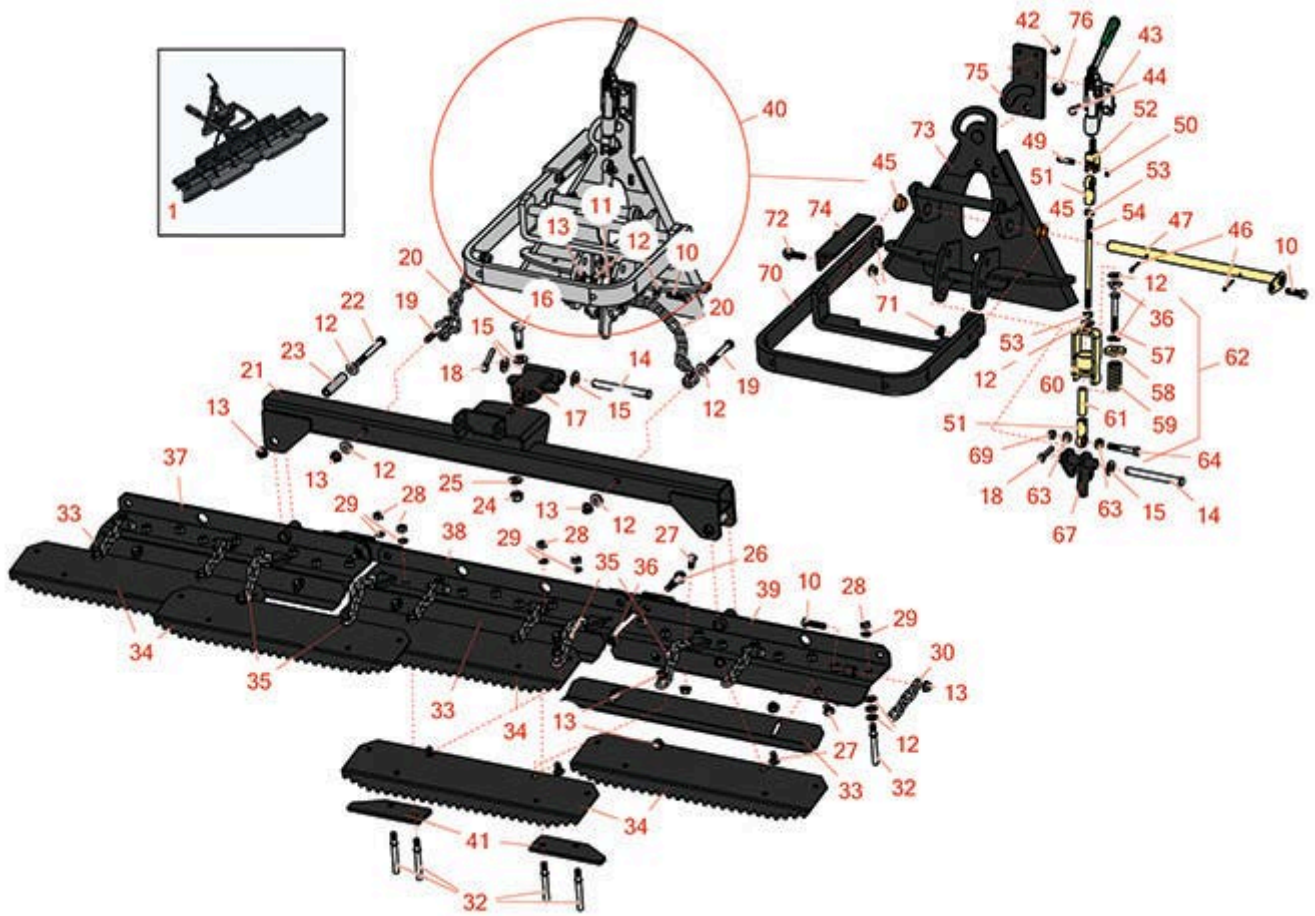




Replaces R&R Products Sand Max 518 Parts

Fast Attach Tooth Rake



All original equipment manufacturers names and part numbers are used for identification purposes only, and we are in no way implying that our products are original equipment parts. Prices subject to change without notice.



Replaces R&R Products Sand Max 518 Parts

Fast Attach Tooth Rake



Item No	R&R Part No.	OEM Part No.	Description	Qty Req	Price Each	Order Quantity
---------	--------------	--------------	-------------	---------	------------	----------------

Complete Tooth Rake Assembly

1	R151080	R08751	Tooth Rake with Fast Connect Hitch	0	1387.35	
---	----------------	--------	------------------------------------	---	----------------	--

Other Parts Available

10	R400264	323-7, R01-150-0180, R01-178-0610, R19H1732, R20-48-AD, R20-48-AGD, R32-9160, R3224-3, R323-29, R323-7, R400264, R908035P	Bolt - Hex HD 3/8-16 x 1-1/4	8	0.40	
11	R98-8895		Spacer	2	14.55	
12	R453009	3256-3, R01-166-0400, R24-10-BD, R24-9-AD, R24H1136, R32-9650, R3256-2, R3256-23, R3256-67, R3290-217, R3556-3, R4-2390, R452006, R7-0152	Washer - Flat 5/16 SAE	10	0.13	
13	R32128-21	32128-21	Locknut - Flanged 3/8-16 Whiz Top Lock	32	0.55	
14	R283-83	283-83, R42194, R93-5343	Pin - Clevis	1	5.15	

All original equipment manufacturers names and part numbers are used for identification purposes only, and we are in no way implying that our products are original equipment parts. Prices subject to change without notice.



Replaces R&R Products Sand Max 518 Parts

Fast Attach Tooth Rake



Item No	R&R Part No.	OEM Part No.	Description	Qty Req	Price Each	Order Quantity
15	R3256-26	3256-26, R01-166-0540, R01-166-0820, R17-2530, R24-13-BD, R30-8570, R356206, R48-9390	Washer - 1/2 in	3	0.41	
16	R80-2050	80-2050	Bolt - Shoulder	1	15.35	
17	R114-0641-03	R112-7100-03	Pivot Assy	1	49.70	
18	R3272-11	R01-151-0010, R01-151-0040, R28-18-D, R28-28-D, R3211-72	Pin - Cotter	1	0.70	
19	R323-14	323-14, R01-150-0840, R01-178-0624, R20-55-AD, R21-196-AMD, R30-8750, R30-8970, R3224-10	Bolt - Hex HD 3/8-16 x 3	2	1.95	
20	R110-1364		Chain - Proof - 12 Links	2	5.25	
21	R108-2941-03		Hanger Assy	1	246.75	
22	R323-15	R01-150-1460, R01-178-0628	Bolt - Hex HD 3/8-16 x 3-1/2 GR5	2	1.35	
23	R84-2350	84-2350	Spacer - Rake Frame	2	4.95	
24	R3296-48	3296-48, R119-4039, R32146-7, R3296-34	Locknut - 7/16-14 ESNA	1	0.55	
25	R187-0	3256-25, R3256-25, R7-0032	Washer - Flat 7/16 SAE	1	0.22	

All original equipment manufacturers names and part numbers are used for identification purposes only, and we are in no way implying that our products are original equipment parts. Prices subject to change without notice.



Replaces R&R Products Sand Max 518 Parts

Fast Attach Tooth Rake



Item No	R&R Part No.	OEM Part No.	Description	Qty Req	Price Each	Order Quantity
26	R66-0561	66-0561	Screw - Shoulder	2	6.75	
27	R3231-22	R900234P	Bolt - Carriage 3/8-16 x 1	20	0.52	
28	R3217-7	3217-7, R01-188-0616, R1441, R14H1076, R22-13-AJD, R513296, R513415, R513425, R915113P	Nut - 3/8-16 Hex Plated	27	0.24	
29	R3253-21	3253-21, R215-51, R30-8470, R7-1912, RMT3949	Washer - Lock 3/8	27	0.14	
30	R84-2450	84-2450	Chain - Straight 4	6	4.55	
32	R88-8450	88-8450, RTCU20088	Tooth - Rake 3-3/8 Oal	27	3.20	
33	R84-2550-03	84-2550, 84-2550-03, R84-2550	Trowel - Smooth	3	11.80	
34	R84-2280	84-2280, 84-2280-03, R84-2280-01, R84-2280-03	Rake - Finishing	5	17.75	
35	R84-2451	84-2451	Chain - Straight 5	4	4.75	
36	R32128-12		Locknut - 3/8-24 Flanged Top Lock	2	1.45	
37	R84-2360-03	84-2360, 84-2360-03, R84-2360	Plate - LH Trowel	1	95.35	
38	R84-2390-03	84-2390, 84-2390-03, R84-2390	Plate - Center Trowel	1	95.45	

All original equipment manufacturers names and part numbers are used for identification purposes only, and we are in no way implying that our products are original equipment parts. Prices subject to change without notice.



Replaces R&R Products Sand Max 518 Parts

Fast Attach Tooth Rake



Item No	R&R Part No.	OEM Part No.	Description	Qty Req	Price Each	Order Quantity
39	R84-2400-03	84-2400, 84-2400-03, R84-2400	Plate - RH Trowel	1	95.35	
40	R151076		Hitch Assy - Rear - Triangular - Fits Tooth Rake	1	711.30	
41	R88-8440-03	88-8440-03, R256-289	Plate - Tipper	2	7.90	
42	R32153-3	R119-4038, R22-12-AJFD, R32127-35, R32146-5, R3296-18, R3296-31, R3217000	Locknut - 5/16-18 ESNA Zinc	4	0.62	
43	R151071		Clamp - Toggle	1	85.20	
44	R322-5	322-5, R01-178-0508, R19H1905, R20-26-AD, R20-26-AGD, R30-9000, R400188, R513341, R519755, R908019P	Bolt - Hex HD 5/16-18 x 1	4	0.40	
45	R27-9080		Bearing - Flanged	2	3.95	
46	R3272-17	R28-26-C, R28-26-D, R30-1230	Pin-Cotter	3	0.90	
47	R110-3362		Pivot Bar Assy	1	45.40	
49	R283-61	R86-2140	Pin - Clevis 5/16 x 1-1/8	1	0.78	
50	R3272-10	R01-151-0120	Pin - Cotter 1/8 x 3/4	1	0.13	
51	R92-7008		Rod End - Female	2	35.95	

All original equipment manufacturers names and part numbers are used for identification purposes only, and we are in no way implying that our products are original equipment parts. Prices subject to change without notice.



Replaces R&R Products Sand Max 518 Parts

Fast Attach Tooth Rake



Item No	R&R Part No.	OEM Part No.	Description	Qty Req	Price Each	Order Quantity
52	R151072		Adapter - Link Assy	1	14.55	
53	R3220-3	R01-191-0624, R3290-149	Nut - Jam Ball Joint	2	0.24	
54	R110-8108		Rod - Link	1	15.65	
57	R3211-12		Bolt - Hx HD 3/8-24	1	2.55	
58	R110-8114		Washer	1	6.45	
59	R66-7230		Spring - Compression	1	4.80	
60	R110-8111-01		Yoke Assy	1	49.10	
61	R110-8110		Spacer	1	7.30	
62	R151075		Link Assy - Fast Connect Hitch	1	147.35	
63	R110-8116		Spacer - Link	2	4.35	
64	R323-11	R01-150-1440, R01-178-0618, R20-52-AD, R3224-7	Bolt - 3/8-16 x 2 1/4 GR5	1	0.84	
67	R110-8154		Latch Assy	1	25.60	
69	R3296-44		Nut - 3/8-16 Heavy Jam ESNA Lock	1	2.45	
70	R112-1408		Lift Arm Assy	1	115.40	
71	R104-8301	R109-6658, R133-7570	Locknut - 3/8-16 Nylon Flanged	3	0.84	
72	R3234-24	R3234-8, R66-9301	Bolt - Hex Ser Was HD 3/8-16 x 1-1/4	2	1.45	
73	R112-1403		Adapter Assy - Fast Connect Assy	1	273.50	
74	R115-2090		Pad - Wear	1	22.95	
75	R151073		Adapter Plate	1	12.95	

All original equipment manufacturers names and part numbers are used for identification purposes only, and we are in no way implying that our products are original equipment parts. Prices subject to change without notice.



Replaces R&R Products Sand Max 518 Parts

Fast Attach Tooth Rake



Item No	R&R Part No.	OEM Part No.	Description	Qty Req	Price Each	Order Quantity
76	RF5003	3296-23, R32127-29, R32131-5, R32132-5, R3296-23, R64229-05	Locknut - ESNA 1/2-13	1	0.78	

All original equipment manufacturers names and part numbers are used for identification purposes only, and we are in no way implying that our products are original equipment parts. Prices subject to change without notice.