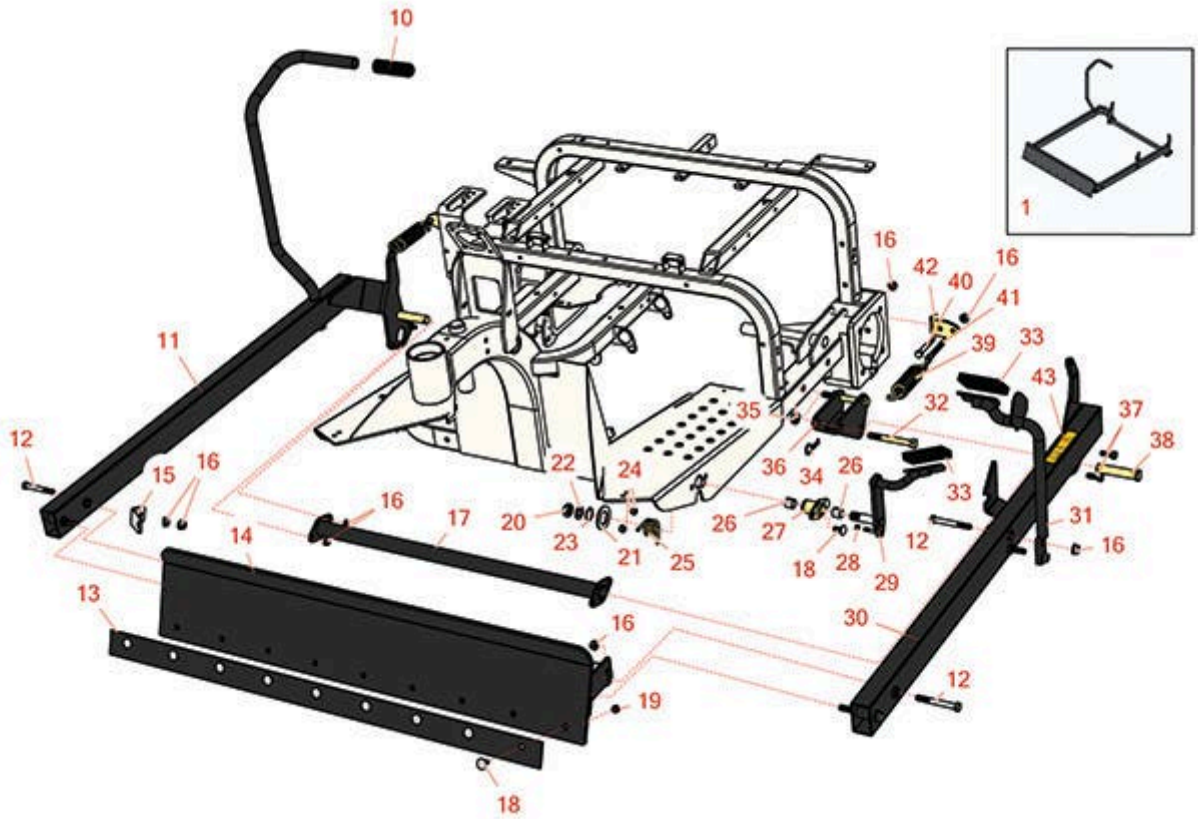




Replaces R&R Products Sand Max 518 Parts

Manual Front Blade



All original equipment manufacturers names and part numbers are used for identification purposes only, and we are in no way implying that our products are original equipment parts. Prices subject to change without notice.



Replaces R&R Products Sand Max 518 Parts

Manual Front Blade



Item No	R&R Part No.	OEM Part No.	Description	Qty Req	Price Each	Order Quantity
Complete Blade Assembly						
1	R08714		Front Manual Blade Attachment	0	1714.10	
Other Parts Available						
10	RP544		Grip -1 ID x 4.5 Long Black	1	5.85	
11	R112-7156-03		Lift Arm Assy - RH	1	248.90	
12	R323-14	323-14, R01-150-0840, R01-178-0624, R20-55-AD, R21-196-AMD, R30-8750, R30-8970, R3224-10	Bolt - Hex HD 3/8-16 x 3	6	1.95	
13	R108-5406-03		Plate - Wear	1	38.75	
14	R115-5642-03		Blade Assy	1	255.45	
15	R114-0644-03		Plate - Brace	2	11.15	
16	R3296-39	3296-39, R32127-25, R32128-36, R3296-17, R3296-22, R915663P, R99-7443	Locknut - 3/8-16 Nylon	16	1.40	
17	R108-5402-03		Torsion Tube Assy	1	130.65	
18	R3230-1	R01-173-0506, R3230-20, R900037P	Bolt - Carriage 5/16-18 x 3/4	11	0.62	
19	R3296-29	3296-29, R1-804256, R915662P	Locknut - 5/16-18 ESNA	9	2.95	
20	R3296-33	R444820, R445801	Locknut - 5/8-18 ESNA Jam	1	1.30	

All original equipment manufacturers names and part numbers are used for identification purposes only, and we are in no way implying that our products are original equipment parts. Prices subject to change without notice.



Replaces R&R Products Sand Max 518 Parts

Manual Front Blade



Item No	R&R Part No.	OEM Part No.	Description	Qty Req	Price Each	Order Quantity
21	R21-6540W	R64123-25	Washer - Grooved Rlr 2 OD x 1 ID	1	0.84	
22	R3256-69		Washer - Flat	1	0.41	
23	R6050-112	R3215-29, R32151-29	Ring - Retaining	1	0.97	
24	R3296-47		Locknut - 5/16-18 Jam Nyloc	2	0.59	
25	R108-5424		Spring - Torsion	1	7.85	
26	R256-311	R94-1388	Bushing-Split	2	12.80	
27	R108-5421		Plate Assy	1	70.90	
28	R3296-56		Nut - Lock - 1/4-20 ESNA Jam	1	1.60	
29	R108-5418-03		Lock Lever Assy	1	113.40	
30	R112-7157-03		Lift Arm Assy - LH	1	244.45	
31	R108-5429-03		Foot Pedal Assy	1	113.40	
32	R325-13	R01-178-0826, R20-94-AGD, R325-26, R7-3552	Bolt - Hex HD 1/2-13 x 3-1/4	4	3.20	
33	R74-9100		Rubber Foot Pad - Forward	2	10.95	
34	R460312	R30-8530, R3290-343, R460316	Pin - Hair Cotter	2	0.69	
35	R3296-25	R30-3380, R32127-21, R32127-31, R3290-160, R3290-33, R3296-13, R3296-45	Locknut - 1/2-13 Heavy ESNA	4	2.15	
36	R108-5427-03		Mount Assy	2	64.95	

All original equipment manufacturers names and part numbers are used for identification purposes only, and we are in no way implying that our products are original equipment parts. Prices subject to change without notice.



Replaces R&R Products Sand Max 518 Parts

Manual Front Blade



Item No	R&R Part No.	OEM Part No.	Description	Qty Req	Price Each	Order Quantity
37	R323-6	323-6, R01-150-0010, R01-178-0608, R20-47-AD, R20-47-AGD, R3224-2, R49-3510, R908034P, R908332	Bolt - Hex HD 3/8-16 x 1 GR5 YZ	6	0.59	
38	R108-2800		Pin - Clevis	2	18.10	
39	R108-5412		Spring - Extension	2	38.85	
40	R323-13	R01-150-1020, R01-178-0622, R20-54-AD, R20-54-AGD, R513366	Bolt - Hex HD 3/8-16 x 2-3/4 GR5	2	1.55	
41	R108-5413		Rod-Spring	2	18.15	
42	R108-5414		Bracket - Spring	2	19.75	
43	R93-9879		Decal - Warning	1	3.25	

All original equipment manufacturers names and part numbers are used for identification purposes only, and we are in no way implying that our products are original equipment parts. Prices subject to change without notice.