

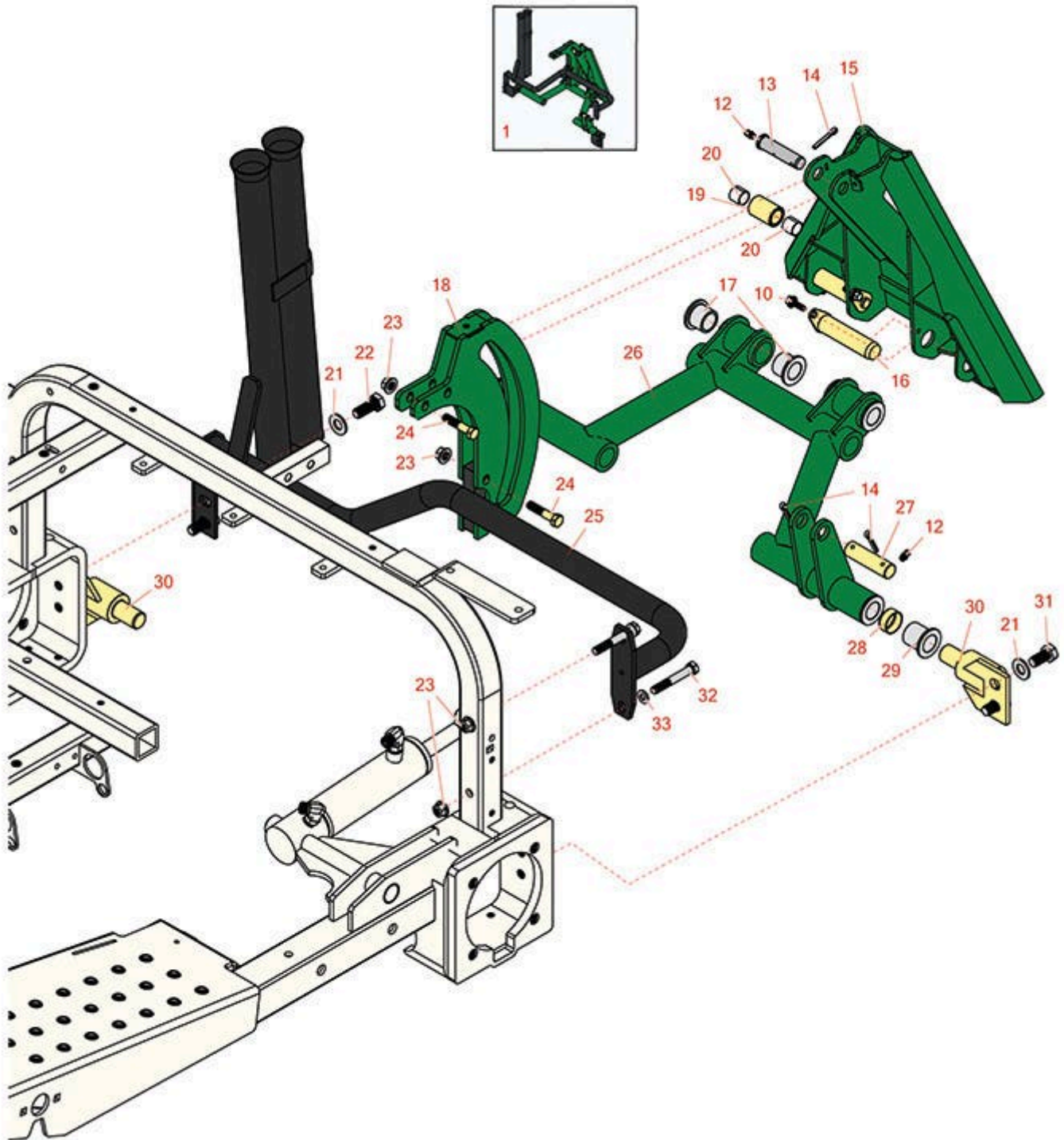


Replaces R&R Products Sand Max 518

Parts

Attachments

Fast Attach Mount System



All original equipment manufacturers names and part numbers are used for identification purposes only, and we are in no way implying that our products are original equipment parts. Prices subject to change without notice.



Replaces R&R Products Sand Max 518

Parts

Attachments

Fast Attach Mount System



Item No	R&R Part No.	OEM Part No.	Description	Qty Req	Price Each	Order Quantity
---------	--------------	--------------	-------------	---------	------------	----------------

Complete Fast Connect Assembly

1	R151069		Fast Connect Hitch Receiver Assy	1	1032.10	
---	----------------	--	----------------------------------	---	----------------	--

Other Parts Available

10	R32144-10	R32140-81, R32144-3, R34-140-AMVD	Bolt - 1/4-20 x 3/4 Serrated Hx Wshr	2	2.85	
----	------------------	---	--------------------------------------	---	-------------	--

12	R302-5	R173-0, R21-6010, R255825, R302-37, R302-47, R302-57, R302-58, R302-6, R31-0300, R32-9660, R471214, R471223, R471226, R60-0800, R62-3880, R92-4181, RJD7797, RJD7842, RJD7844, RM0004	Fitting - Grease	7	0.27	
----	---------------	--	------------------	---	-------------	--

13	R108-2282		Pin-Clevis	1	20.80	
----	------------------	--	------------	---	--------------	--

14	R460050	R01-151-0060, R3272-23	Pin - Cotter 3/16 x 1-1/4	3	0.26	
----	----------------	---------------------------	---------------------------	---	-------------	--

15	R108-6870G		Adapter Assy - Green	1	247.90	
----	-------------------	--	----------------------	---	---------------	--

16	R108-6885		Pin Assy	2	31.85	
----	------------------	--	----------	---	--------------	--

17	R33-3090	R30-1420	Bushing	6	6.90	
----	-----------------	----------	---------	---	-------------	--

18	R110-1368G		Roller Plate Assy - Green	1	79.30	
----	-------------------	--	---------------------------	---	--------------	--

19	R108-5472	R108-6871	Tube Assy w/Bushings	1	38.70	
----	------------------	-----------	----------------------	---	--------------	--

All original equipment manufacturers names and part numbers are used for identification purposes only, and we are in no way implying that our products are original equipment parts. Prices subject to change without notice.



Replaces R&R Products Sand Max 518 Parts

Attachments
Fast Attach Mount System



Item No	R&R Part No.	OEM Part No.	Description	Qty Req	Price Each	Order Quantity
20	R256-311	R94-1388	Bushing-Split	2	12.80	
21	R3256-26	3256-26, R01-166-0540, R01-166-0820, R17-2530, R24-13-BD, R30-8570, R356206, R48-9390	Washer - 1/2 in	4	0.41	
22	R325-5	325-5, R01-150-0250, R01-178-0810, R19-8000, R20-86-AGD, R3226-1, R513375	Bolt - Hex HD 1/2-13 x 1-1/4	2	0.83	
23	R104-8301	R109-6658, R133-7570	Locknut - 3/8-16 Nylon Flanged	5	0.84	
24	R323-9	323-9, R01-150-0190, R01-150-1540, R01-178-0614, R107229, R20-50-AD, R20-50-AGD, R30-9430, R32105-4, R3224-5, R513363, R513364, R5377, R908037P	Bolt - Hex HD 3/8-16 x 1-3/4	3	0.91	
25	R108-6860-03		Hitch Frame Assy	1	236.60	
26	R110-3375G		Rear Tube Assy - Green	1	341.65	
27	R18-7310		Pin - Cylinder	1	15.35	
28	R110-3365		Plug-Expansion	4	3.20	
29	R95-3577		Bushing	6	7.50	

All original equipment manufacturers names and part numbers are used for identification purposes only, and we are in no way implying that our products are original equipment parts. Prices subject to change without notice.



Replaces R&R Products Sand Max 518 Parts

*Attachments
Fast Attach Mount System*



Item No	R&R Part No.	OEM Part No.	Description	Qty Req	Price Each	Order Quantity
30	R114-4319	R108-6872	Pivot Pin - Assy	2	42.75	
31	R325-4	R01-150-0280, R01-178-0806, R01-178-0808, R20-85-AD, R20-85-AGD, R325-1, R325-2	Bolt - Hex HD 1/2-13 x 1	2	0.90	
32	R101526	321-11, R01-150-0970, R01-178-0620, R20-53-AGD, R3224-8, R323-12, R323-31, R323-47	Bolt - Hex HD 3/8-16 x 2-1/2 GR5	2	0.91	
33	R453009	3256-3, R01-166-0400, R24-10-BD, R24-9-AD, R24H1136, R32-9650, R3256-2, R3256-23, R3256-67, R3290-217, R3556-3, R4-2390, R452006, R7-0152	Washer - Flat 5/16 SAE	2	0.13	

All original equipment manufacturers names and part numbers are used for identification purposes only, and we are in no way implying that our products are original equipment parts. Prices subject to change without notice.