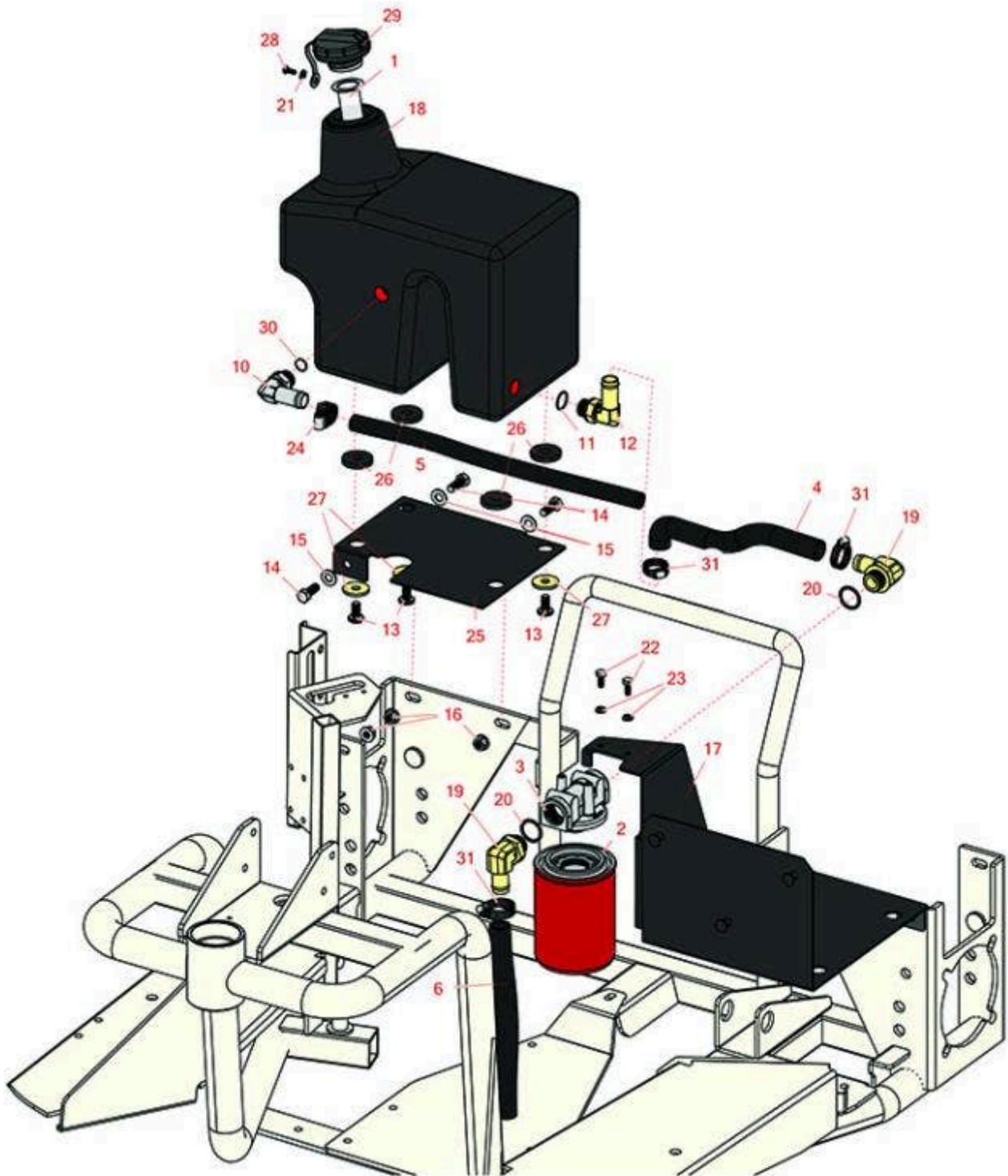




Replaces R&R Products Sand Max 216

Parts

Traction Unit
Hydraulic Tank



All original equipment manufacturers names and part numbers are used for identification purposes only, and we are in no way implying that our products are original equipment parts. Prices subject to change without notice.



Replaces R&R Products Sand Max 216

Parts

Traction Unit
Hydraulic Tank



Item No	R&R Part No.	OEM Part No.	Description	Qty Req	Price Each	Order Quantity
---------	--------------	--------------	-------------	---------	------------	----------------

Filters

1	R92-1705		Filter-Screen - Hyd Tank	1	30.75	
2	R86-3010	R12-5270, R23-9740, R28-1370, R353-387, R522972, R54-0110, R549597, R76-6490, RZS48758	Baldwin Hydraulic Oil Filter	1	10.20	
2	RRF10611		SilverGuard Hydraulic Oil Filter	1	8.75	
3	R68-8990		Filter Head Assy	1	85.10	

Hoses

4	R107-2152		Hose - Suction	1	19.85	
5	R98-8153		Hose - Return	1	6.25	
6	R95-0555		Hose - Suction	1	9.55	

Other Parts Available

10	R354-120		Hydraulic Fitting - 90 Deg	1	16.65	
11	R237-80	R327-80	O-Ring	0	1.85	
12	R95-0629	R87-8170	Hydraulic Fitting - Push 90 Deg	1	41.55	
13	R3250-36		Screw - 3/8-16x3/4 Zinc Pan Phillips Mach	3	2.45	

All original equipment manufacturers names and part numbers are used for identification purposes only, and we are in no way implying that our products are original equipment parts. Prices subject to change without notice.



Replaces R&R Products Sand Max 216

Parts

*Traction Unit
Hydraulic Tank*



Item No	R&R Part No.	OEM Part No.	Description	Qty Req	Price Each	Order Quantity
14	R323-6	323-6, R01-150-0010, R01-178-0608, R20-47-AD, R20-47-AGD, R3224-2, R49-3510, R908034P, R908332	Bolt - Hex HD 3/8-16 x 1 GR5 YZ	3	0.59	
15	R453011	3256-24, 453011, R01-166-0100, R01-166-0120, R01-166-0270, R01-166-0500, R01-166-0600, R01-166-0620, R132-4593, R237-12, R24-10-AD, R24-11-AD, R24-11-BD, R24-12-AD, R24-12-BD, R30-9310, R32-8190, R3256-24, R3256-3, R3256-36, R3256-4, R47-9950	Washer - Flat 3/8 SAE Y/Zinc	3	0.11	
16	R3296-39	3296-39, R32127-25, R32128-36, R3296-17, R3296-22, R915663P, R99-7443	Locknut - 3/8-16 Nylon	3	1.40	
17	R95-0576-03	R95-0576	Base-Tank, Fuel	1	110.75	
18	R98-0968		Tank-Hyd	1	405.95	
19	R353-987		Hydraulic Fitting - 90 Deg	2	40.95	

All original equipment manufacturers names and part numbers are used for identification purposes only, and we are in no way implying that our products are original equipment parts. Prices subject to change without notice.



Replaces R&R Products Sand Max 216

Parts

*Traction Unit
Hydraulic Tank*



Item No	R&R Part No.	OEM Part No.	Description	Qty Req	Price Each	Order Quantity
20	R237-81		O-Ring	2	2.30	
21	R24M7139		Washer - Flat 6mm	1	0.70	
22	R400106	R321-3, R513315, R908002P	Bolt - Hex HD 1/4-20 x 5/8	2	0.28	
23	R3253-3	446130, R01-166-0070, R01-166-0410, R23-9-GD, R24-7150, R352-167, R446128, R446130	Washer - Lock 1/4	2	0.11	
24	R2412-36	R2210-87, R31-9140, R93-5818, R99-0772	Clamp - Hose 1/2	4	2.75	
25	R95-0590-03	R95-0590	Base-Tank, Hyd	1	20.15	
26	R240-11		Bushing - Rubber - Flanged	4	2.45	
27	R63-8410	R53-6380, R63-4810	Washer - Isolator Bushing	3	0.77	
28	R150778		Screw - Button HD Soc CS 10-24x3/8	1	0.32	
<i>Tech Note: Fits Hyd Cap tether:</i>						
29	R93-7160	R92-6342, R93-3103	Cap - Hyd Oil w/Tether	1	23.45	
30	R237-79		O-Ring	1	1.50	
31	R2412-129	R94-3188, R94-3189, R94-3193, R94-3203, R94-3204	Clamp - Worm 9/16-1 1/4	3	3.25	

All original equipment manufacturers names and part numbers are used for identification purposes only, and we are in no way implying that our products are original equipment parts. Prices subject to change without notice.