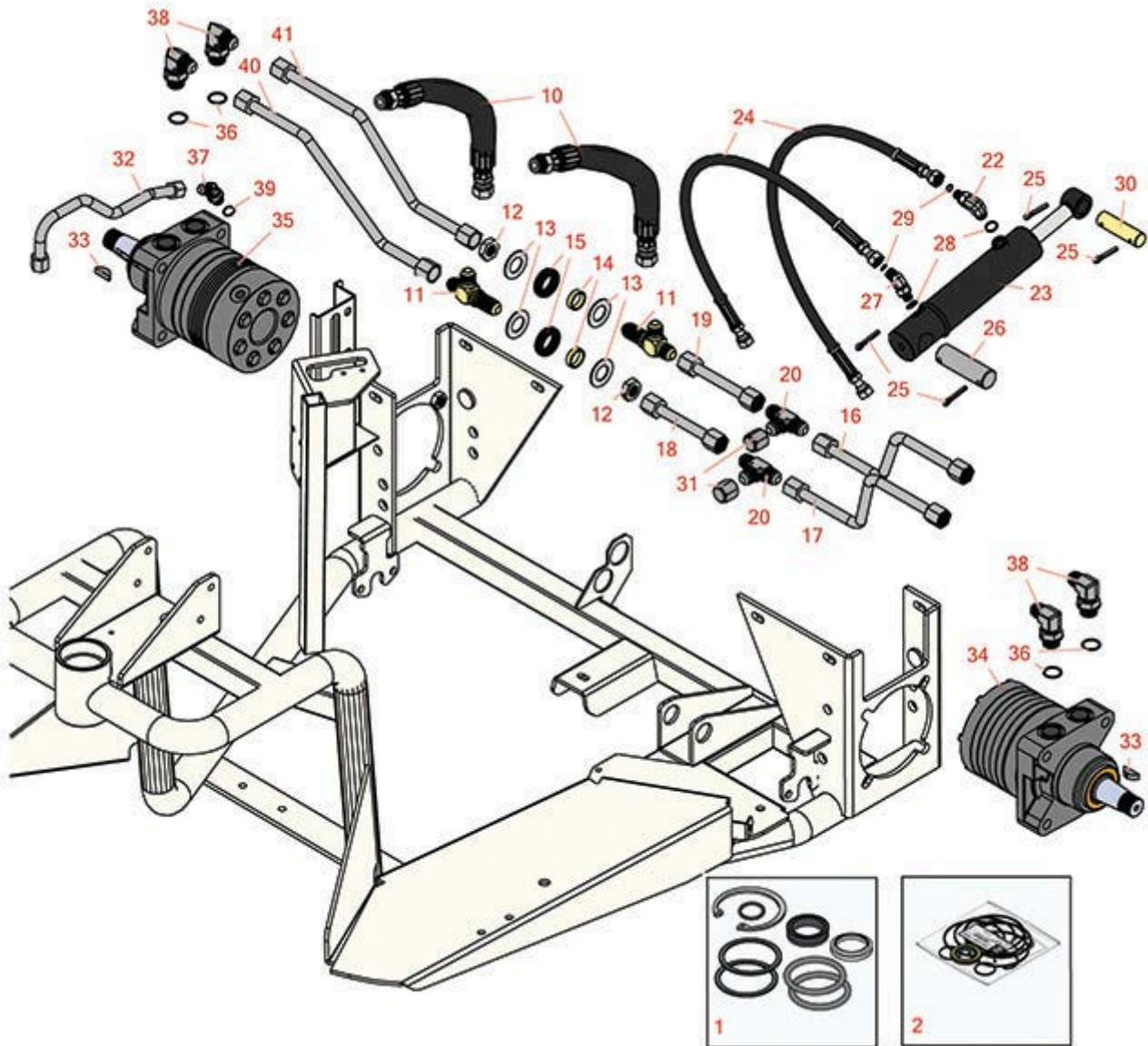




# Replaces R&R Products Sand Max 216

## Parts

Traction Unit  
Hydraulic System



All original equipment manufacturers names and part numbers are used for identification purposes only, and we are in no way implying that our products are original equipment parts. Prices subject to change without notice.



# Replaces R&R Products Sand Max 216

## Parts

Traction Unit  
Hydraulic System



Item No	R&R Part No.	OEM Part No.	Description	Qty Req	Price Each	Order Quantity
---------	--------------	--------------	-------------	---------	------------	----------------

### Overhaul Kits

1	<b>R83-7000SK</b>	R56-3810, R56-3820, R70-2790, R83-7250, R86-5260, R86-5360	Seal Kit - Fits R83-7000 Cylinder	1	<b>41.15</b>	
---	-------------------	---	-----------------------------------	---	--------------	--

*Tech Note: Includes Seals, O-Rings & 1 ea: R43-5220 Retaining Ring to rebuild one cylinder:*

2	<b>R76-0800</b>	R100-6131, R94-8178, RTCA18042	Seal Kit - Hyd Wheel Motor	0	<b>55.45</b>	
---	-----------------	--------------------------------------	----------------------------	---	--------------	--

### Other Parts Available

10	<b>R95-0595</b>		Hose- Assy	2	<b>63.95</b>	
----	-----------------	--	------------	---	--------------	--

11	<b>R95-0577</b>		Fitting - Bulkhead	2	<b>31.55</b>	
----	-----------------	--	--------------------	---	--------------	--

12	<b>R95-0642</b>		Locknut - Bulkhead	2	<b>3.05</b>	
----	-----------------	--	--------------------	---	-------------	--

13	<b>R69-8930</b>		Washer	4	<b>1.75</b>	
----	-----------------	--	--------	---	-------------	--

14	<b>R69-8960</b>		Spacer	2	<b>5.65</b>	
----	-----------------	--	--------	---	-------------	--

15	<b>R240-5</b>		Grommet - Rubber	2	<b>7.90</b>	
----	---------------	--	------------------	---	-------------	--

16	<b>R150911</b>		Tube - RH Rear	1	<b>33.55</b>	
----	----------------	--	----------------	---	--------------	--

17	<b>R150917</b>		Tube - RH Front	1	<b>33.55</b>	
----	----------------	--	-----------------	---	--------------	--

18	<b>R150918</b>		Tube - LH Front	1	<b>49.70</b>	
----	----------------	--	-----------------	---	--------------	--

19	<b>R150912</b>		Tube - LH Rear	1	<b>49.70</b>	
----	----------------	--	----------------	---	--------------	--

20	<b>R150910</b>		Hydraulic Fitting - 1/2 T	2	<b>14.40</b>	
----	----------------	--	---------------------------	---	--------------	--

23	<b>R83-7000</b>	R27-2510, R43-5260, R68-9700, R74-3300	Hydraulic Cylinder	1	<b>228.50</b>	
----	-----------------	---	--------------------	---	---------------	--

All original equipment manufacturers names and part numbers are used for identification purposes only, and we are in no way implying that our products are original equipment parts. Prices subject to change without notice.



# Replaces R&R Products Sand Max 216

## Parts

*Traction Unit  
Hydraulic System*



Item No	R&R Part No.	OEM Part No.	Description	Qty Req	Price Each	Order Quantity
22	<b>R340-132</b>		Hydraulic Fitting - 90 Deg	1	<b>14.40</b>	
24	<b>R75-6200</b>		Hydraulic Hose Assy	2	<b>34.95</b>	
25	<b>R460050</b>	R01-151-0060, R3272-23	Pin - Cotter 3/16 x 1-1/4	4	<b>0.26</b>	
26	<b>R18-7160</b>		Pin - Cylinder	1	<b>24.45</b>	
27	<b>R340-103</b>	R340-137	Hydraulic Fitting - 45 Deg	2	<b>18.15</b>	
28	<b>R237-22</b>	R107-8844, R232-72, R237-78	O-Ring	2	<b>0.62</b>	
29	<b>R237-21</b>		O-Ring	2	<b>0.47</b>	
30	<b>R18-7310</b>		Pin - Cylinder	1	<b>15.35</b>	
31	<b>R95-0594</b>		Fitting-Cap	1	<b>5.85</b>	
32	<b>R95-0575</b>		Tube-Valve, Shuttle	1	<b>31.85</b>	
33	<b>R3257-42</b>		Key - Woodruff 5/16 x 1	3	<b>2.75</b>	
34	<b>R75-9831</b>	R49-8621	Hydraulic Motor - LH Rear	1	<b>1153.85</b>	
35	<b>R75-9840</b>	R49-8600, R49-8630	Hydraulic Motor - RH Rear	1	<b>1185.20</b>	
36	<b>R237-80</b>	R327-80	O-Ring	6	<b>1.85</b>	
37	<b>R353-212</b>	R30-6430, R353-378	Hydraulic Fitting - 45 Deg	1	<b>16.90</b>	
38	<b>R353-426</b>		Fitting - 90 Deg	4	<b>20.35</b>	
39	<b>R237-42</b>	R31-4160, R339897	O-Ring	1	<b>0.80</b>	
40	<b>R95-0564</b>		Tube-RH, Front	1	<b>30.95</b>	
41	<b>R95-0559</b>		Tube-RH, Rear	1	<b>30.95</b>	

All original equipment manufacturers names and part numbers are used for identification purposes only, and we are in no way implying that our products are original equipment parts. Prices subject to change without notice.