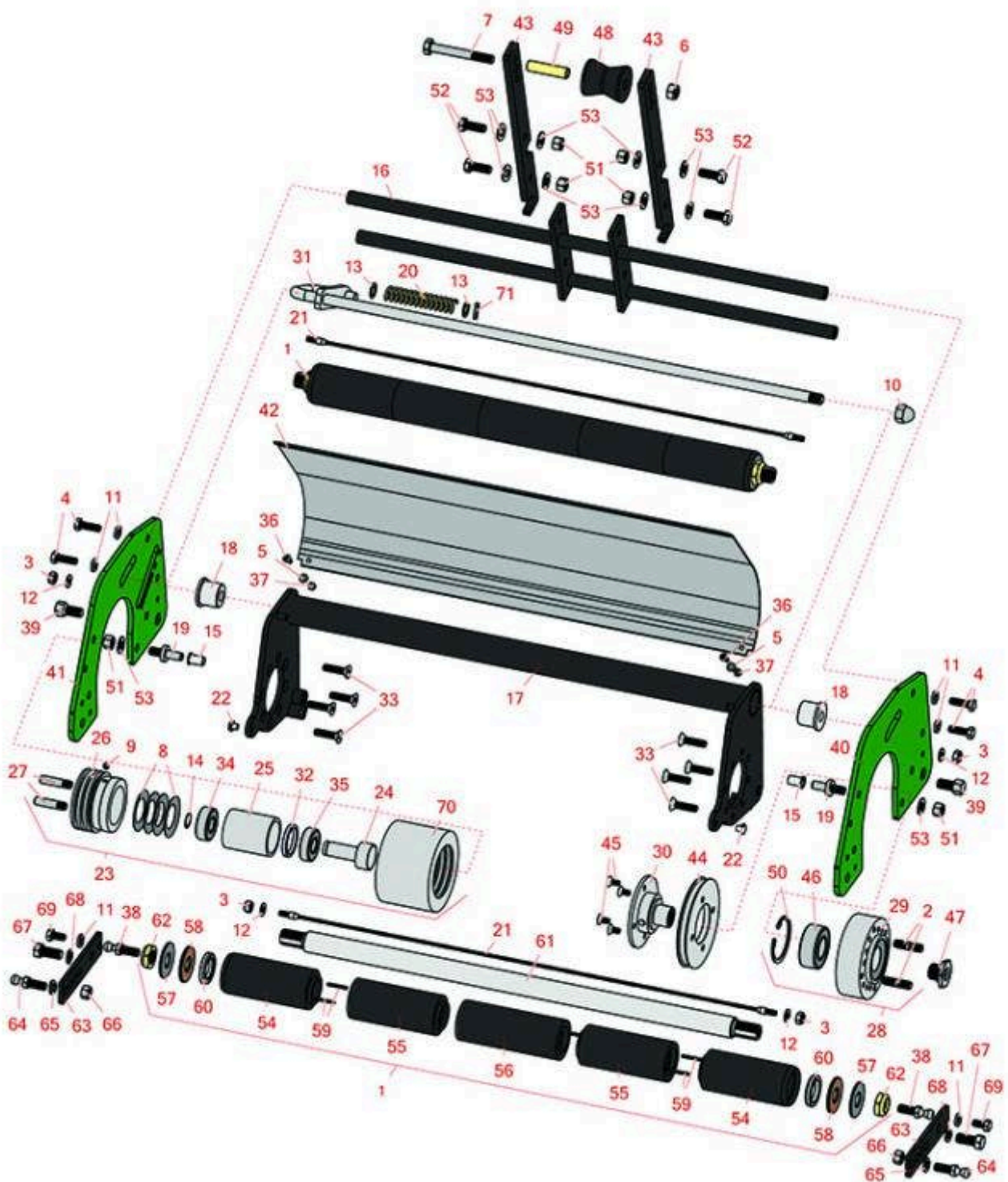




Replaces R&R Products Multi-Green Units Parts

Chassis to fit R&R Products
Chassis Parts



All original equipment manufacturers names and part numbers are used for identification purposes only, and we are in no way implying that our products are original equipment parts. Prices subject to change without notice.



Replaces R&R Products Multi-Green Units Parts

Chassis to fit R&R Products
Chassis Parts



Item No	R&R Part No.	OEM Part No.	Description	Qty Req	Price Each	Order Quantity
---------	--------------	--------------	-------------	---------	------------	----------------

Rollers

1	R101335		Roller - Smooth UHMW Polyethylene	2	186.65	
---	----------------	--	-----------------------------------	---	---------------	--

Tech Note: Machined from solid UHMW, this low maintenance roller uses a 1" solid stainless steel shaft and requires no grease. UHMW material prevents build-up of debris.:

Chassis Parts Available

2	R101327		Stud - Housing	2	4.20	
---	----------------	--	----------------	---	-------------	--

Tech Note: Fits R101328 Only:

3	R301504	R32127-24, R32146-17, R3296-16, R3296-42, R915661P, RM40333	Locknut - ESNA 1/4-20	4	0.18	
---	----------------	--	-----------------------	---	-------------	--

4	R322-5	322-5, R01-178-0508, R19H1905, R20-26-AD, R20-26-AGD, R30-9000, R400188, R513341, R519755, R908019P	Bolt - Hex HD 5/16-18 x 1	4	0.40	
---	---------------	--	---------------------------	---	-------------	--

5	R3256-14	R24-7-BD, R297-3, R32125-2, R3256-51, R51-2170	Washer - 10 Flat	2	0.34	
---	-----------------	--	------------------	---	-------------	--

6	R33025-00		Locknut - 10mm x 1.5 Jam	1	0.54	
---	------------------	--	--------------------------	---	-------------	--

7	R33115-080		Bolt - Hex HD M10 x 80	1	1.25	
---	-------------------	--	------------------------	---	-------------	--

8	R36460		Spring Washer - Belleville	5	3.75	
---	---------------	--	----------------------------	---	-------------	--

9	R3659039-1		Screw - Set 1/4-20 x 1/4	1	0.23	
---	-------------------	--	--------------------------	---	-------------	--

All original equipment manufacturers names and part numbers are used for identification purposes only, and we are in no way implying that our products are original equipment parts. Prices subject to change without notice.



Replaces R&R Products Multi-Green Units Parts

*Chassis to fit R&R Products
Chassis Parts*



Item No	R&R Part No.	OEM Part No.	Description	Qty Req	Price Each	Order Quantity
10	R403212000		Nut - 1/2-13 Acorn	2	6.05	
11	R446136	446136, R446134	Washer - Lock 5/16 Zinc	6	0.14	
12	R453023	R3256-1, R3256-72	Washer - Flat 1/4	4	0.12	
13	R455012	R41-8440	Washer - Flat 1/2 x 3/4	2	0.70	
14	R47117000		Retaining Ring External	1	0.79	
15	R52-2890		Bushing - Flanged	2	0.77	
16	R6040-01-000		Cross Member Assy - Fits Toro	1	65.90	
17	R6040-02-000		Frame Assy - Inner	1	173.25	
18	R6040-03-100		Nylon Bushing - Inner Frame	2	7.65	
19	R6040-03-110		Pivot Pin - Stainless	2	22.95	
20	R6040-03-120		Spring - Compression	1	5.35	
21	R6040-03-130		Cable - Roller Scraper - Stainless	2	31.55	
22	R6040-03-160		Pad - Wear - Nylon	2	4.65	
23	R6040-04-000		Bearing Housing Assy - Adj End	1	328.55	
24	R6040-04-110		Pressure Pin	1	22.45	
25	R6040-04-120		Bushing - Bearing	1	39.35	
26	R6040-04-130		Adjuster - Bearing Housing	1	66.15	
27	R6040-04-140		Pin - Threaded	2	6.05	
28	R6040-05-000		Bearing Housing Assy - Motor End	1	113.40	

All original equipment manufacturers names and part numbers are used for identification purposes only, and we are in no way implying that our products are original equipment parts. Prices subject to change without notice.



Replaces R&R Products Multi-Green Units Parts

*Chassis to fit R&R Products
Chassis Parts*



Item No	R&R Part No.	OEM Part No.	Description	Qty Req	Price Each	Order Quantity
29	R6040-05-100		Mounting Housing	1	78.45	
30	R6040-05-230		Drive Coupling w/Pin RH	1	66.90	
31	R6040-07-000		Adjusting Handle Assy - Stainless	1	137.20	
32	R6040-100		Seal	1	7.40	
33	R6040-102		Screw - 5/16-18x1-1/4 FI HD Scs SS	8	1.55	
34	R6040-103		Bearing	1	11.75	
35	R6040-104		Bearing	1	22.35	
36	R6040-105		Screw - Grass Shield - Stainless	2	0.65	
37	R6040-106	R32127-33, R3296-27	Locknut - Stainless	2	0.45	
38	R6040-115		Ball Stud - 7/16 Thread	2	12.80	
39	R6040-117		Bolt - Special 7/16-20	2	9.50	
40	R6041-00-500		Side Plate - Fits Toro	1	147.35	
41	R6041-00-510		Side Plate - Fits Toro	1	151.70	
42	R6041-00-520		Grass Shield - SS	1	105.45	
43	R6041-00-540		Plate - Long -Lift Roller Fits Toro	2	20.95	
44	R6050-01-018		Pulley - Large - Vibrating Roller	1	64.95	
45	R6050-101		Screw - 1/4-20x1/2 FI HD Soc CS SS	4	0.54	
46	R6050-109		Bearing	1	34.50	
47	R93-1394		Nut - Splined RH Thrd .812 Long	1	12.25	

All original equipment manufacturers names and part numbers are used for identification purposes only, and we are in no way implying that our products are original equipment parts. Prices subject to change without notice.



Replaces R&R Products Multi-Green Units Parts

*Chassis to fit R&R Products
Chassis Parts*



Item No	R&R Part No.	OEM Part No.	Description	Qty Req	Price Each	Order Quantity
48	R93-2463		Roller - Lift	1	8.95	
49	R93-2464		Spacer - Roller	1	2.90	
50	RC-10025	R32120-8	Ring - Retaining	1	2.15	
51	RET15804	R444762	Locknut - 3/8-16 Top Lock	6	0.66	
52	RF3205	R400262	Bolt - Hex HD 3/8-16 x 1	4	0.78	
53	RP307	EP-300-ZE, REP-300ZE	Washer - 3/8 SAE	10	0.12	
54	R150342		Roller End - Smooth UHMW Polyethylene 2	2	22.70	
55	R150348		Section - 2 UHMW Smooth	2	22.70	
56	R150343		Roller Section - 2 Solid Center	1	22.80	
57	R150333	R150447	Washer - Flat Keyed Outer SS	2	5.15	
58	R150334A		Washer - Thrust SAE660 Bronze	2	5.80	
59	R150322		Pin - Roll 1/8 x 1 Stainless	8	0.26	
60	R150347T	R150347	Seal - Nonstick Lip	2	6.05	
61	R101332		Shaft - 1 SS Rear Roller	1	63.75	
62	R3296-15	367029, R1503473, R32118-5, R32127-23, R32127-47, R367029, R445748, RG-371, RN101345	Locknut - 3/4-16 Nylon Jam	2	2.15	
63	R6041-00-530		Plate - Fits Toro	2	14.70	
64	R94-2958	R2411-7	Stud - Alloy Ball Joint	2	3.40	

All original equipment manufacturers names and part numbers are used for identification purposes only, and we are in no way implying that our products are original equipment parts. Prices subject to change without notice.



Replaces R&R Products Multi-Green Units Parts

*Chassis to fit R&R Products
Chassis Parts*



Item No	R&R Part No.	OEM Part No.	Description	Qty Req	Price Each	Order Quantity
65	R3254-6	446142, R01-166-0010, R01-166-0280, R01-166-0610, R12H304, R3253-5, R3254-18, R3290-223, R446140, R446142, R48-9370	Washer - Lock 3/8	2	0.08	
66	R3219-3	R01-188-0624, R215-50, R22-13-BJD, R22-13-BJKD, R443112, R443812	Nut - 3/8-24	2	0.34	
67	R400370		Bolt - Hex HD 7/16-20 x 1 GR5	2	1.65	
68	R3253-6	R01-166-0710, R23-12-GD, R59-7590, RF4076	Washer - Lock 7/16 Zinc	2	0.29	
69	R322-2	R513338P	Bolt - Hex HD 5/16-18 x 5/8	2	0.50	
70	R6040-04-100		Bearing Housing	1	165.50	
71	R32121-123		Pin - Spring Roll 5/16 x 3/4	1	0.47	

All original equipment manufacturers names and part numbers are used for identification purposes only, and we are in no way implying that our products are original equipment parts. Prices subject to change without notice.