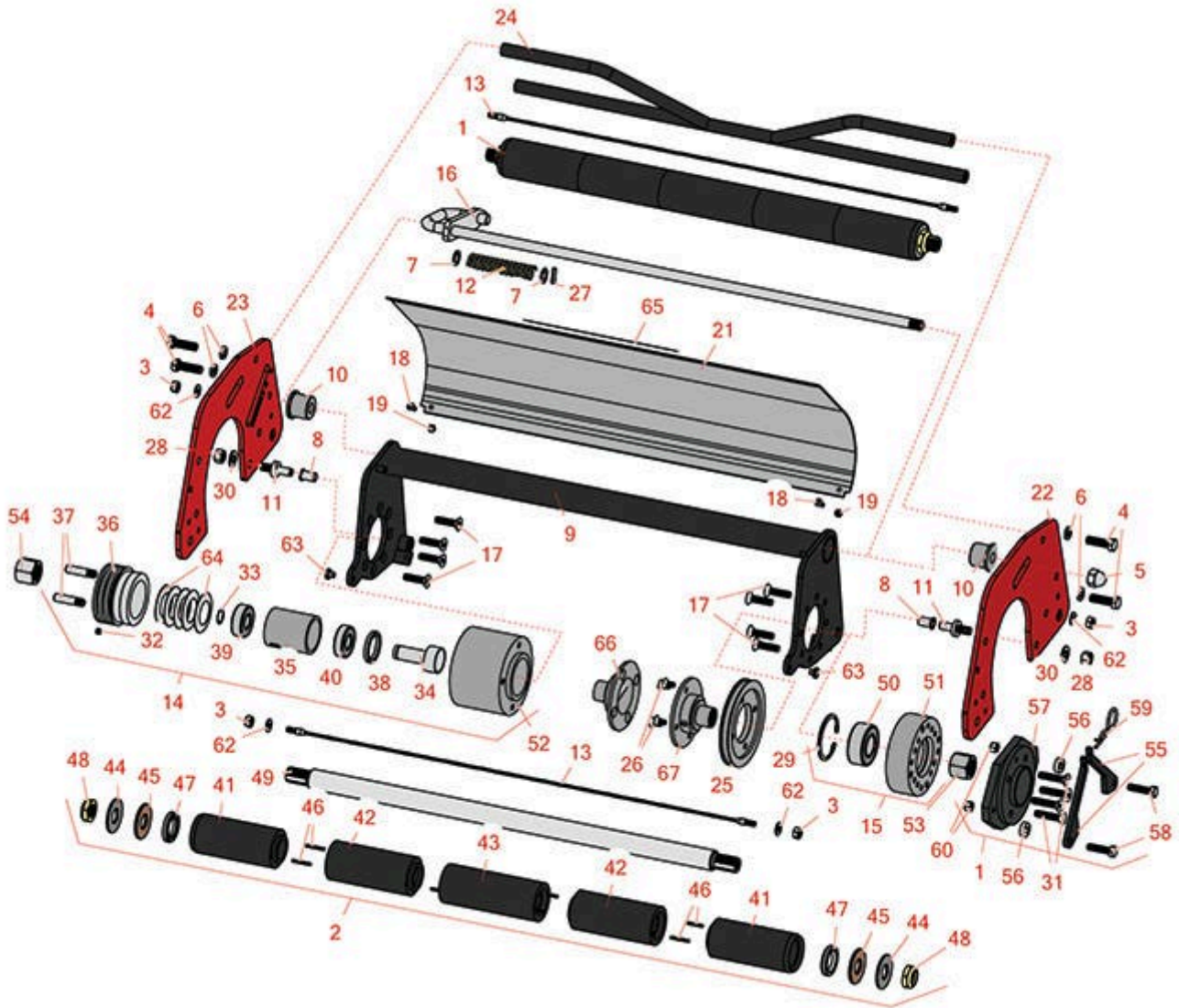
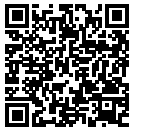




Replaces R&R Products Multi-Green Units Parts

Chassis to fit Jacobsen V & VI
Chassis Parts



All original equipment manufacturers names and part numbers are used for identification purposes only, and we are in no way implying that our products are original equipment parts. Prices subject to change without notice.



Replaces R&R Products Multi-Green Units Parts

Chassis to fit Jacobsen V & VI
Chassis Parts



Item No	R&R Part No.	OEM Part No.	Description	Qty Req	Price Each	Order Quantity
---------	--------------	--------------	-------------	---------	------------	----------------

Mounting Kits Available

1	RMG41006		Mounting Kit - Quick Change	0	151.55	
---	-----------------	--	-----------------------------	---	---------------	--

Tech Note: Includes: 4 ea: R6043-100 Screw; 2 ea: R6043-02-510 Quick Attach Arm, R6043-02-500 Bushings, RP3018-1 Bolts, R32153-3 Locknuts; & 1 ea: R6043-00-520 Mounting Plate, R460312 Cotter Pin & R461387 Roll Pin;

Chassis Parts Available

2	R101335		Roller - Smooth UHMW Polyethylene	2	186.65	
---	----------------	--	-----------------------------------	---	---------------	--

Tech Note: Machined from solid UHMW, this low maintenance roller uses a 1" solid stainless steel shaft and requires no grease. UHMW material prevents build-up of debris.:

3	R301504	R32127-24, R32146-17, R3296-16, R3296-42, R915661P, RM40333	Locknut - ESNA 1/4-20	4	0.18	
---	----------------	--	-----------------------	---	-------------	--

4	R322-5	322-5, R01-178-0508, R19H1905, R20-26-AD, R20-26-AGD, R30-9000, R400188, R513341, R519755, R908019P	Bolt - Hex HD 5/16-18 x 1	4	0.40	
---	---------------	--	---------------------------	---	-------------	--

5	R403212000		Nut - 1/2-13 Acorn	1	6.05	
---	-------------------	--	--------------------	---	-------------	--

6	R446136	446136, R446134	Washer - Lock 5/16 Zinc	4	0.14	
---	----------------	--------------------	-------------------------	---	-------------	--

7	R455012	R41-8440	Washer - Flat 1/2 x 3/4	2	0.70	
---	----------------	----------	-------------------------	---	-------------	--

8	R52-2890		Bushing - Flanged	2	0.77	
---	-----------------	--	-------------------	---	-------------	--

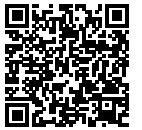
9	R6040-02-000		Frame Assy - Inner	1	173.25	
---	---------------------	--	--------------------	---	---------------	--

All original equipment manufacturers names and part numbers are used for identification purposes only, and we are in no way implying that our products are original equipment parts. Prices subject to change without notice.



Replaces R&R Products Multi-Green Units Parts

Chassis to fit Jacobsen V & VI
Chassis Parts



Item No	R&R Part No.	OEM Part No.	Description	Qty Req	Price Each	Order Quantity
10	R6040-03-100		Nylon Bushing - Inner Frame	2	7.65	
11	R6040-03-110		Pivot Pin - Stainless	2	22.95	
12	R6040-03-120		Spring - Compression	1	5.35	
13	R6040-03-130		Cable - Roller Scraper - Stainless	2	31.55	
14	R6040-04-000		Bearing Housing Assy - Adj End	1	328.55	
15	R6040-05-000		Bearing Housing Assy - Motor End	1	113.40	
16	R6040-07-000		Adjusting Handle Assy - Stainless	1	137.20	
17	R6040-102		Screw - 5/16-18x1-1/4 FI HD Scs SS	8	1.55	
18	R6040-105		Screw - Grass Shield - Stainless	2	0.65	
19	R6040-106	R32127-33, R3296-27	Locknut - Stainless	2	0.45	
21	R6041-00-520		Grass Shield - SS	1	105.45	
22	R6043-00-500		Side Plate - Adj. - Fits Jacobsen	1	147.35	
23	R6043-00-510		Side Plate - Fits Jacobsen	1	147.35	
24	R6043-01-000		Bracket Assy - Fits Jacobsen	1	177.90	
25	R6050-01-018		Pulley - Large - Vibrating Roller	1	64.95	
<i>Tech Note: OPTIONAL:</i>						
26	R6050-101		Screw - 1/4-20x1/2 FI HD Soc CS SS	4	0.54	
<i>Tech Note: OPTIONAL:</i>						
27	R32121-123		Pin - Spring Roll 5/16 x 3/4	2	0.47	

All original equipment manufacturers names and part numbers are used for identification purposes only, and we are in no way implying that our products are original equipment parts. Prices subject to change without notice.



Replaces R&R Products Multi-Green Units Parts

*Chassis to fit Jacobsen V & VI
Chassis Parts*



Item No	R&R Part No.	OEM Part No.	Description	Qty Req	Price Each	Order Quantity
28	RET15804	R444762	Locknut - 3/8-16 Top Lock	2	0.66	
29	RC-10025	R32120-8	Ring - Retaining	1	2.15	
30	RP307	EP-300-ZE, REP-300ZE	Washer - 3/8 SAE	1	0.12	
31	R6043-100		Screw - 5/16-18x1-1/2 Fl HD Scs SS	4	1.65	
32	R3659039-1		Screw - Set 1/4-20 x 1/4	1	0.23	
33	R47117000		Retaining Ring External	1	0.79	
34	R6040-04-110		Pressure Pin	1	22.45	
35	R6040-04-120		Bushing - Bearing	1	39.35	
36	R6040-04-130		Adjuster - Bearing Housing	1	66.15	
37	R6040-04-140		Pin - Threaded	2	6.05	
38	R6040-100		Seal	1	7.40	
39	R6040-103		Bearing	1	11.75	
40	R6040-104		Bearing	1	22.35	
41	R150342		Roller End - Smooth UHMW Polyethylene 2	4	22.70	
42	R150348		Section - 2 UHMW Smooth	4	22.70	
43	R150343		Roller Section - 2 Solid Center	2	22.80	
44	R150333	R150447	Washer - Flat Keyed Outer SS	4	5.15	
45	R150334A		Washer - Thrust SAE660 Bronze	4	5.80	
46	R150322		Pin - Roll 1/8 x 1 Stainless	16	0.26	
47	R150347T	R150347	Seal - Nonstick Lip	4	6.05	

All original equipment manufacturers names and part numbers are used for identification purposes only, and we are in no way implying that our products are original equipment parts. Prices subject to change without notice.



Replaces R&R Products Multi-Green Units Parts

Chassis to fit Jacobsen V & VI
Chassis Parts



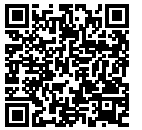
Item No	R&R Part No.	OEM Part No.	Description	Qty Req	Price Each	Order Quantity
48	R3296-15	367029, R1503473, R32118-5, R32127-23, R32127-47, R367029, R445748, RG-371, RN101345	Locknut - 3/4-16 Nylon Jam	4	2.15	
49	R101332		Shaft - 1 SS Rear Roller	2	63.75	
50	R6050-109		Bearing	1	34.50	
51	R6040-05-100		Mounting Housing	1	78.45	
52	R6040-04-100		Bearing Housing	1	165.50	
53	R345477		Nut - Coupling LH (RH Threads)	1	13.45	
<i>Tech Note: Right Hand Threads:</i>						
54	R345478		Nut - Coupling RH (LH Threads)	1	13.45	
<i>Tech Note: Left Hand Threads:</i>						
55	R6043-02-510		Quick Attach Arm	2	11.75	
56	R6043-02-500		Bushing - Quick Attach Arm	2	3.75	
57	R6043-00-520		Mounting Plate	1	71.40	
58	RP3018-1	R19H1849	Bolt - Hex HD 5/16-18 x 1-1/4	2	0.35	
59	R460312	R30-8530, R3290-343, R460316	Pin - Hair Cotter	1	0.69	

All original equipment manufacturers names and part numbers are used for identification purposes only, and we are in no way implying that our products are original equipment parts. Prices subject to change without notice.



Replaces R&R Products Multi-Green Units Parts

*Chassis to fit Jacobsen V & VI
Chassis Parts*



Item No	R&R Part No.	OEM Part No.	Description	Qty Req	Price Each	Order Quantity
60	R32153-3	R119-4038, R22-12-AJFD, R32127-35, R32146-5, R3296-18, R3296-31, RJ317000	Locknut - 5/16-18 ESNA Zinc	2	0.62	
62	R453023	R3256-1, R3256-72	Washer - Flat 1/4	4	0.12	
63	R6040-03-160		Pad - Wear - Nylon	2	4.65	
64	R36460		Spring Washer - Belleville	5	3.75	
65	RMT6517		Label - Warning	1	7.25	
66	R6040-05-190		Drive Coupling - RH Fits GK5-6	1	67.85	
67	R6040-05-180		Drive Coupling w/Pin LH Fits GK5-6	1	67.85	

All original equipment manufacturers names and part numbers are used for identification purposes only, and we are in no way implying that our products are original equipment parts. Prices subject to change without notice.