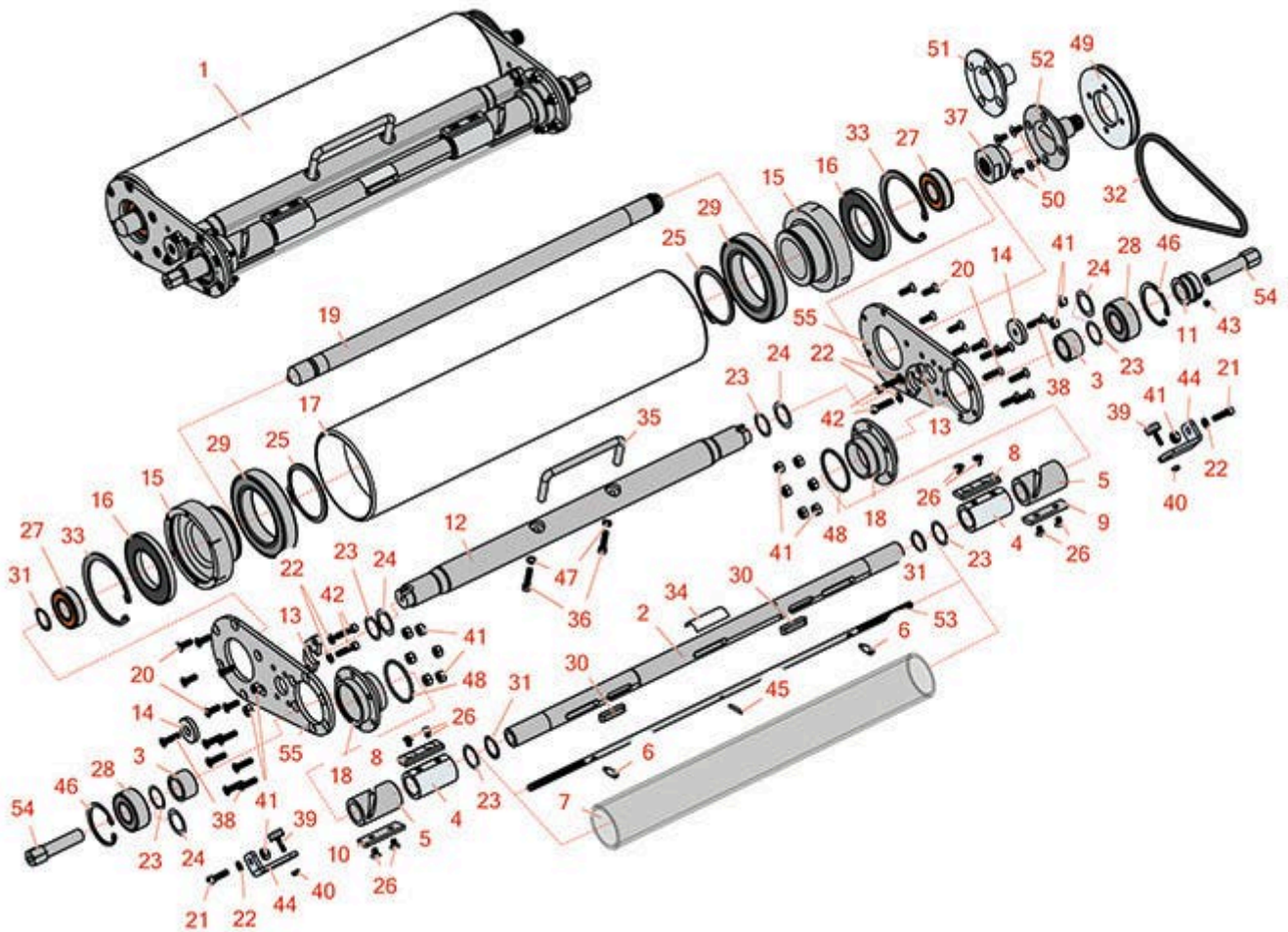




Replaces R&R Products Multi-Green Units Parts

Cassettes
Vibrating Roller Cassette



All original equipment manufacturers names and part numbers are used for identification purposes only, and we are in no way implying that our products are original equipment parts. Prices subject to change without notice.



Replaces R&R Products Multi-Green Units Parts

Cassettes

Vibrating Roller Cassette



Item No	R&R Part No.	OEM Part No.	Description	Qty Req	Price Each	Order Quantity
---------	--------------	--------------	-------------	---------	------------	----------------

Complete Vibrating Casstte

1	RMG40035		Vibrating Roller Assy	0	1778.35	
---	-----------------	--	-----------------------	---	----------------	--

Other Parts Available

2	R6050-01-002		Tube - Unbalance - Vibrating Roller	1	95.15	
3	R6050-01-003		Nylon Bushing - Unbalance Tube	2	6.20	
4	R6050-01-004		Locked Sleeve - Unbalance Tube	2	25.15	
5	R6050-01-005		Sliding Sleeve - Unbalance Tube	2	43.95	
6	R6050-01-006		Pin - Unbalance Shaft	2	7.05	
7	R6050-01-007		Tube - Clear Plastic	1	47.05	
8	R6050-01-008		Weight - Fixed - Vibrating Roller	2	24.90	
9	R6050-01-008B		Weight - RH - Vibrating Roller	1	24.90	
10	R6050-01-008C		Weight - LH - Vibrating Roller	1	24.90	
11	R6050-01-011		Pulley - Small - Vibrating Roller	1	22.15	
12	R6050-01-012		Bar - Cross Member - Vibrating Rlr	1	59.35	
13	R6050-01-013		Plate - Cross Member - Vibr Rlr	2	7.05	
14	R6050-01-014		End Caps - Cross Member - Vibr Rlr	2	9.70	
15	R6050-01-015		Bearing Housing - Large - Vibr Rlr	2	84.45	
16	R6050-01-016		Isolator - Vibrating Roller	2	102.20	
17	R6050-01-017		Tube - Large - Vibrating Roller	1	166.35	
18	R6050-01-019		Bearing Housing - Vibrating Roller	2	65.60	
19	R6050-01-020		Shaft - Drive	1	38.85	
20	R6050-100		Screw - 1/4-20x3/4 Fl HD Soc CS SS	12	0.45	

All original equipment manufacturers names and part numbers are used for identification purposes only, and we are in no way implying that our products are original equipment parts. Prices subject to change without notice.



Replaces R&R Products Multi-Green Units Parts

Cassettes

Vibrating Roller Cassette



Item No	R&R Part No.	OEM Part No.	Description	Qty Req	Price Each	Order Quantity
21	R6050-102		Screw - 1/4-20x3/4 Hx Soc HD CS SS	2	0.65	
22	R6050-103	R33093-00, R48-8010, R48-8030	Washer - Flat	6	0.23	
23	R6050-104		Washer - Shim .004	0	2.50	
24	R6050-105		Washer - Shim .020	0	2.90	
25	R6050-106		Retaining Ring External	2	6.55	
26	R6050-107		Screw - 1/4-20x3/8 FI HD Scs SS	8	0.79	
27	R6050-108	RAM102888	Bearing	2	17.85	
28	R6050-109		Bearing	2	34.50	
29	R6050-110		Bearing	2	60.20	
30	R6050-111		Key - 5/16 x 1-1/2	2	2.95	
31	R6050-112	R3215-29, R32151-29	Ring - Retaining	3	0.97	
32	R6050-113		Belt - Vibrating Roller	1	30.70	
33	R6050-114		Retaining Ring - Internal	2	8.75	
34	R6050-115		Label - Intensity Graduation	1	2.50	
35	R6050-116		Handle	1	35.10	
36	R6050-117		Bolt - 1/4-20 x 1 1/4 Allen HD	2	0.98	
37	R6040-06-100		Drive Nut	1	20.95	
38	R6050-118		Screw - 1/4-20x7/8 FI HD Soc CS SS	14	0.46	
39	R6050-119A		Bumper - Rubber - 5/16 in	2	9.20	
40	R6040-106	R32127-33, R3296-27	Locknut - Stainless	2	0.45	

All original equipment manufacturers names and part numbers are used for identification purposes only, and we are in no way implying that our products are original equipment parts. Prices subject to change without notice.



Replaces R&R Products Multi-Green Units Parts

Cassettes

Vibrating Roller Cassette



Item No	R&R Part No.	OEM Part No.	Description	Qty Req	Price Each	Order Quantity
41	R301504	R32127-24, R32146-17, R3296-16, R3296-42, R915661P, RM40333	Locknut - ESNA 1/4-20	16	0.18	
42	R316796	434029, R434029, RB147	Bolt - Allen HD 1/4-20 x 1	4	0.39	
43	R3659039-1		Screw - Set 1/4-20 x 1/4	1	0.23	
44	R6040-08-110A		Bracket - Damper - Long 1 1/16 in	2	8.15	
45	R150322		Pin - Roll 1/8 x 1 Stainless	1	0.26	
46	RC-10025	R32120-8	Ring - Retaining	2	2.15	
47	R548181	RLW7	Washer - Lock 1/4 Hi Col	2	0.26	
48	RG-57		O-Ring - Roller Housing	2	2.30	
49	R6050-01-018		Pulley - Large - Vibrating Roller	1	64.95	
50	R6050-101		Screw - 1/4-20x1/2 Fl HD Soc CS SS	4	0.54	
51	R6040-05-230		Drive Coupling w/Pin RH	1	66.90	
<i>Tech Note: Fits 4001, 4003, 4004:</i>						
52	R6040-05-180		Drive Coupling w/Pin LH Fits GK5-6	1	67.85	
<i>Tech Note: Fits 4002:</i>						
53	R6050-01-009		Unbalance Shaft - Vibrating Roller	1	25.15	
54	R6050-01-010		Nut - Adj. - Vibrating Roller	2	40.10	
55	R6050-01-001		Side Plate - Vibrating Roller	2	58.70	

All original equipment manufacturers names and part numbers are used for identification purposes only, and we are in no way implying that our products are original equipment parts. Prices subject to change without notice.