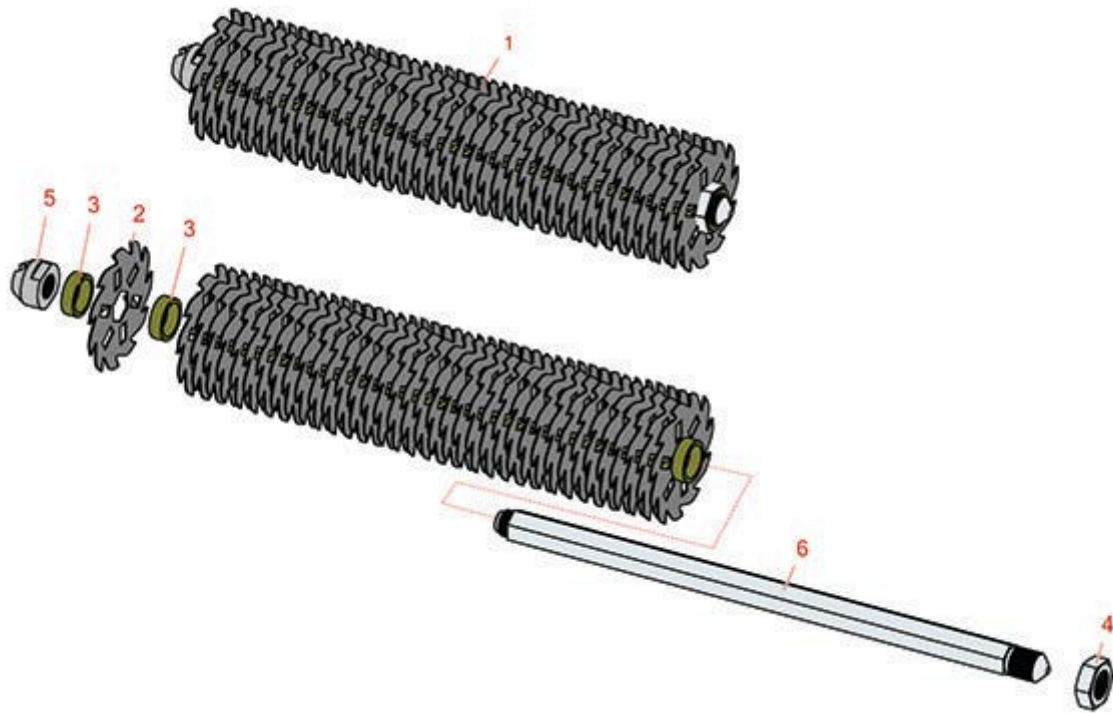




Replaces R&R Products Multi-Green Units Parts

Cassettes
Verti-Cut Cassette



All original equipment manufacturers names and part numbers are used for identification purposes only, and we are in no way implying that our products are original equipment parts. Prices subject to change without notice.



Replaces R&R Products Multi-Green Units Parts

Cassettes
Verti-Cut Cassette



Item No	R&R Part No.	OEM Part No.	Description	Qty Req	Price Each	Order Quantity
---------	--------------	--------------	-------------	---------	------------	----------------

Complete Verti-Cut Cassette

1	RMG40010RH	RMG40010LH	Verticut Reel Assy - RH/LH	0	844.75	
---	-------------------	------------	----------------------------	---	---------------	--

Other Parts Available

2	R150109C	R106-5422, RGCC-002	Verti-Cut Blade - Carbide Tipped 1.2mm	38	12.35	
<i>Tech Note: Optional:</i>						
2	R150209C	R106-6355, R150209, RGCC-003, RTCU26776	Verti-Cut Blade - Carbide Tipped 2mm	38	11.95	
3	R17-1580		Spacer - V-Cut Reel 1/2	37	2.90	
4	R3220-18	R67-5840	Nut - Jam V-Cut Shaft	1	4.85	
5	R6040-06-100		Drive Nut	1	20.95	
6	R6040-06-110		Shaft - V-Cut	1	69.60	

All original equipment manufacturers names and part numbers are used for identification purposes only, and we are in no way implying that our products are original equipment parts. Prices subject to change without notice.