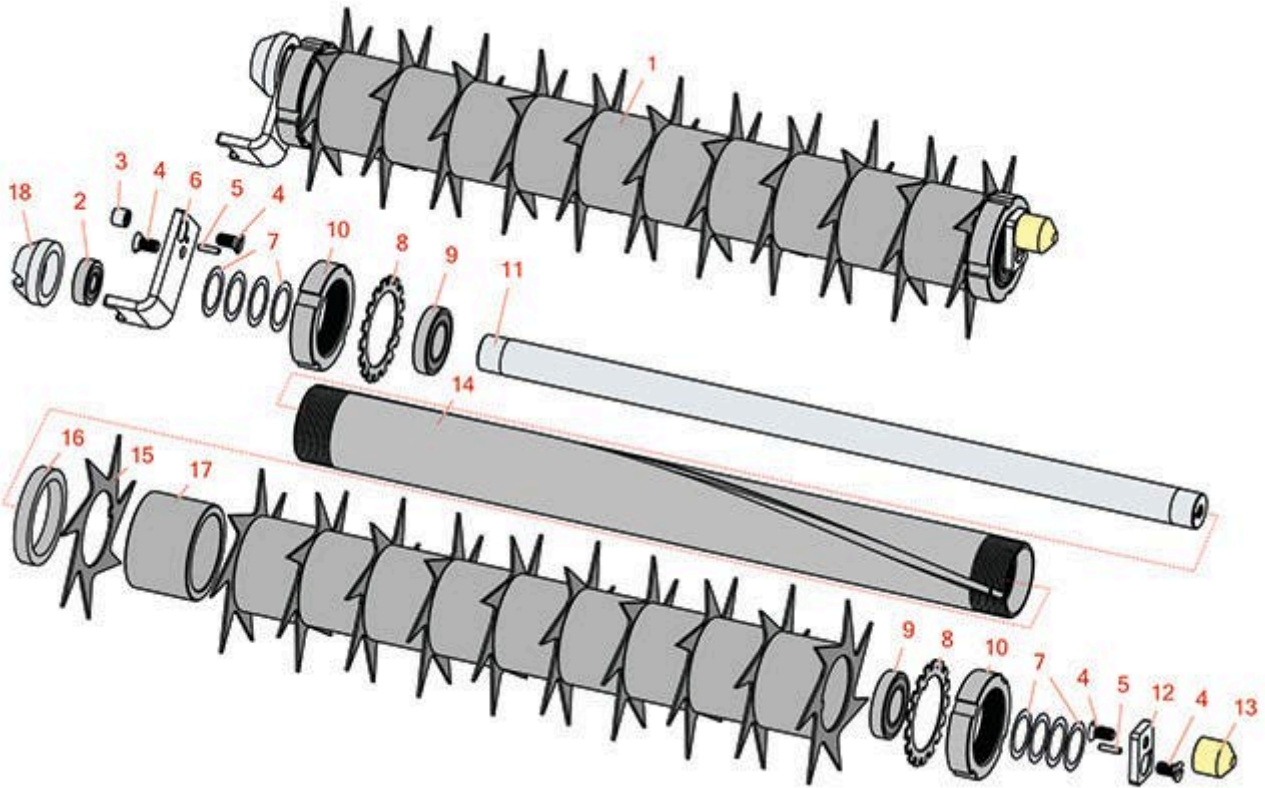




# Replaces R&R Products Multi-Green Units Parts

Cassettes  
Slitter Cassette



All original equipment manufacturers names and part numbers are used for identification purposes only, and we are in no way implying that our products are original equipment parts. Prices subject to change without notice.



# Replaces R&R Products Multi-Green

## Units Parts

Cassettes

Slitter Cassette



Item No	R&R Part No.	OEM Part No.	Description	Qty Req	Price Each	Order Quantity
---------	--------------	--------------	-------------	---------	------------	----------------

### Complete Slitter Cassette

1	<b>RMG40025RH</b>	RMG40025LH	Slitter Reel Assy - RH/LH	0	<b>623.50</b>	
---	-------------------	------------	---------------------------	---	---------------	--

### Other Parts Available

2	<b>R6050-01-024</b>	RTCA19532	Bearing	1	<b>11.30</b>	
---	---------------------	-----------	---------	---	--------------	--

3	<b>R6050-01-029</b>		Spacer - Brg - Offset Shaft Assy	1	<b>4.65</b>	
---	---------------------	--	----------------------------------	---	-------------	--

4	<b>R150475</b>	R3-6462, R3-6642	Screw - Bedknife Stainless 5/16-18 x 5/8	4	<b>0.52</b>	
---	----------------	---------------------	------------------------------------------	---	-------------	--

*Tech Note: Pre-Packaged in bags of 50:*

5	<b>R9990010</b>		Pin - Roll 5/32 x 5/8	2	<b>0.40</b>	
---	-----------------	--	-----------------------	---	-------------	--

6	<b>R6050-01-027</b>		Bracket - RH - Offset Shaft Assy	1	<b>28.45</b>	
---	---------------------	--	----------------------------------	---	--------------	--

6	<b>R6050-01-028</b>		Bracket - LH - Offset Shaft Assy	1	<b>28.45</b>	
---	---------------------	--	----------------------------------	---	--------------	--

7	<b>R6050-105</b>		Washer - Shim .020	0	<b>2.90</b>	
---	------------------	--	--------------------	---	-------------	--

8	<b>R6060-01-006</b>		Washer - Locking	2	<b>6.80</b>	
---	---------------------	--	------------------	---	-------------	--

9	<b>R6060-100</b>		Bearing	2	<b>9.05</b>	
---	------------------	--	---------	---	-------------	--

10	<b>R6070-100</b>		Collar - Locking	2	<b>21.25</b>	
----	------------------	--	------------------	---	--------------	--

11	<b>R6050-01-022</b>		Shaft Only - Offset	1	<b>45.05</b>	
----	---------------------	--	---------------------	---	--------------	--

12	<b>R6050-01-025</b>		Plate - Offset Shaft Assy	1	<b>8.70</b>	
----	---------------------	--	---------------------------	---	-------------	--

13	<b>R6050-01-026</b>		Knob - Locator - Offset Shaft	1	<b>5.45</b>	
----	---------------------	--	-------------------------------	---	-------------	--

14	<b>R6060-01-003</b>		Tube - Threaded and Keyed - Blades	1	<b>222.45</b>	
----	---------------------	--	------------------------------------	---	---------------	--

15	<b>R6060-01-004</b>		Blade - Slitter Stainless 14 GA	11	<b>14.55</b>	
----	---------------------	--	---------------------------------	----	--------------	--

16	<b>R6060-01-002</b>		Spacer - Blade 3/8 in	1	<b>14.15</b>	
----	---------------------	--	-----------------------	---	--------------	--

17	<b>R6060-01-001</b>		Spacer - Blade 2 in	10	<b>23.90</b>	
----	---------------------	--	---------------------	----	--------------	--

All original equipment manufacturers names and part numbers are used for identification purposes only, and we are in no way implying that our products are original equipment parts. Prices subject to change without notice.



# Replaces R&R Products Multi-Green Units Parts

*Cassettes  
Slitter Cassette*



Item No	R&R Part No.	OEM Part No.	Description	Qty Req	Price Each	Order Quantity
18	<b>R6050-01-023</b>		Drive Nut - Offset Shaft Assy	1	<b>13.35</b>	

All original equipment manufacturers names and part numbers are used for identification purposes only, and we are in no way implying that our products are original equipment parts. Prices subject to change without notice.