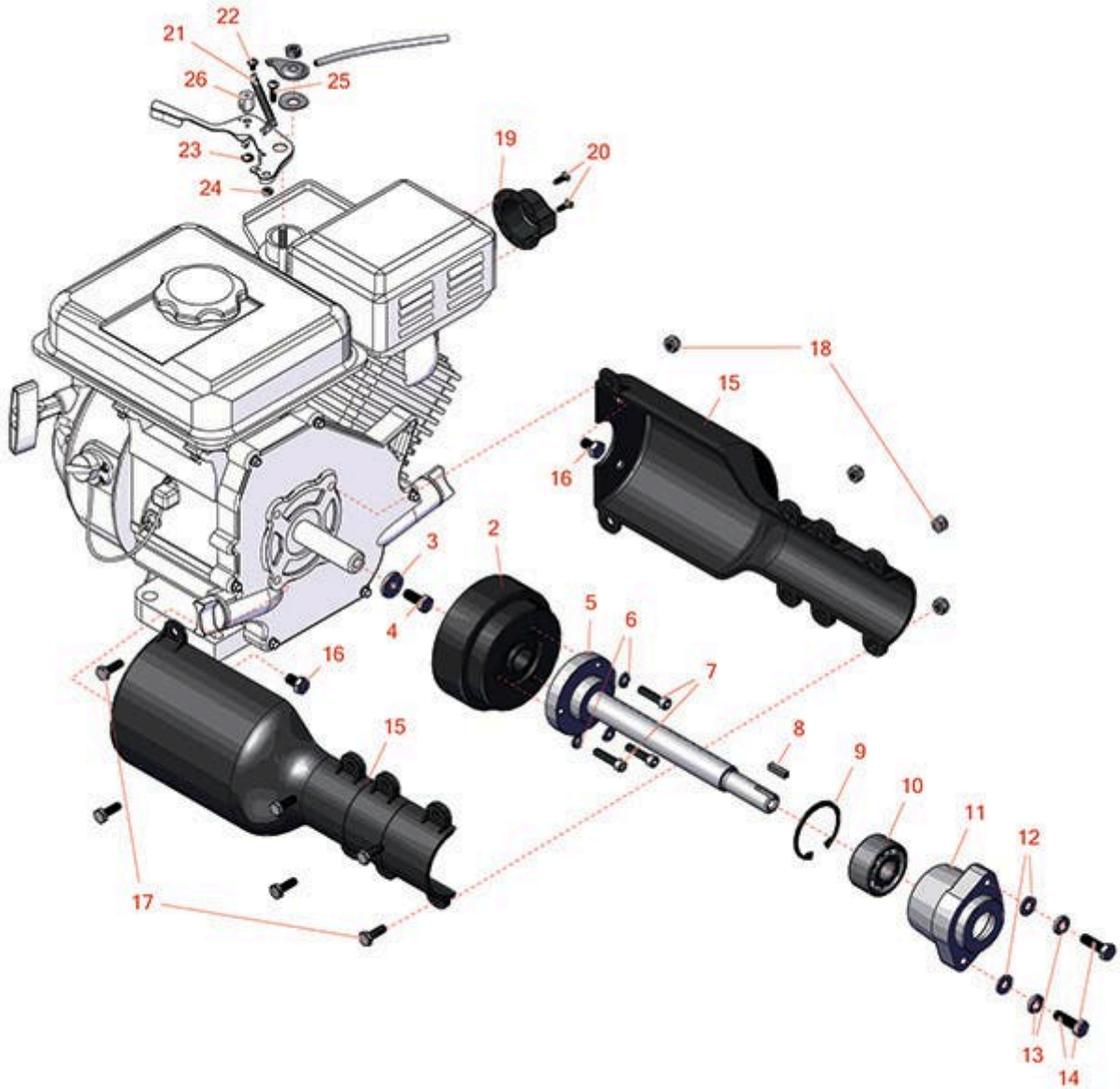




# Replaces R&R Products Greens Max

## 4018 Parts

Traction Unit  
Engine & Clutch



All original equipment manufacturers names and part numbers are used for identification purposes only, and we are in no way implying that our products are original equipment parts. Prices subject to change without notice.



# Replaces R&R Products Greens Max

## 4018 Parts

Traction Unit  
Engine & Clutch



Item No	R&R Part No.	OEM Part No.	Description	Qty Req	Price Each	Order Quantity
---------	--------------	--------------	-------------	---------	------------	----------------

### Other Parts Available

2	<b>R4135990</b>		Torque Clutch	1	<b>580.50</b>	
3	<b>R364441</b>	364441, R303873, R366641	Washer - Flat 5/16x7/8	1	<b>2.15</b>	
4	<b>R306369</b>		Bolt - Hex HD 5/16-24 x 3/4 GR5	1	<b>0.51</b>	
5	<b>R4136651</b>		Shaft - Clutch Centrifugal Fits 18	1	<b>89.35</b>	
6	<b>R3253-3</b>	446130, R01-166-0070, R01-166-0410, R23-9-GD, R24-7150, R352-167, R446128, R446130	Washer - Lock 1/4	3	<b>0.11</b>	
7	<b>R316796</b>	434029, R434029, RB147	Bolt - Allen HD 1/4-20 x 1	3	<b>0.39</b>	
8	<b>R367082</b>		Key - 3/16 Sq. x 3/4	1	<b>1.40</b>	
9	<b>R458113</b>	458113	Ring - Snap Fits Groomer	1	<b>2.35</b>	
10	<b>R4137243</b>		Bearing	1	<b>31.55</b>	
11	<b>R4137242</b>		Bearing Housing - Clutch	1	<b>49.25</b>	

All original equipment manufacturers names and part numbers are used for identification purposes only, and we are in no way implying that our products are original equipment parts. Prices subject to change without notice.



# Replaces R&R Products Greens Max

## 4018 Parts

Traction Unit  
Engine & Clutch



Item No	R&R Part No.	OEM Part No.	Description	Qty Req	Price Each	Order Quantity
12	<b>R453009</b>	3256-3, R01-166-0400, R24-10-BD, R24-9-AD, R24H1136, R32-9650, R3256-2, R3256-23, R3256-67, R3290-217, R3556-3, R4-2390, R452006, R7-0152	Washer - Flat 5/16 SAE	2	<b>0.13</b>	
13	<b>R446136</b>	446136, R446134	Washer - Lock 5/16 Zinc	2	<b>0.14</b>	
14	<b>R322-5</b>	322-5, R01-178-0508, R19H1905, R20-26-AD, R20-26-AGD, R30-9000, R400188, R513341, R519755, R908019P	Bolt - Hex HD 5/16-18 x 1	2	<b>0.40</b>	
15	<b>R4148538</b>	R4147698, R4148537	Cover - Clutch Half	2	<b>46.15</b>	
16	<b>R400218</b>		Bolt - Hex HD 5/16-24 x 1/2 GR5	2	<b>0.45</b>	
17	<b>R321-4</b>	400108, R01-150-1030, R01-178-0406, R20-3-AGD, R3222-1, R400108	Bolt - Hex HD 1/4-20 x 3/4	1	<b>0.52</b>	
18	<b>R32152-4</b>	444708, R444708	Locknut - 1/4-20 All Metal	1	<b>0.39</b>	
19	<b>RHE18340-ZE1-010</b>		Honda Deflector	1	<b>12.45</b>	

All original equipment manufacturers names and part numbers are used for identification purposes only, and we are in no way implying that our products are original equipment parts. Prices subject to change without notice.



# Replaces R&R Products Greens Max

## 4018 Parts

*Traction Unit  
Engine & Clutch*



Item No	R&R Part No.	OEM Part No.	Description	Qty Req	Price Each	Order Quantity
20	<b>R101571</b>		Screw - #8 x 3/8 Php Sheet Metal	2	<b>0.26</b>	
21	<b>R101569</b>		Spring - Throttle Return	1	<b>21.75</b>	
22	<b>R101566</b>		Screw - Rnd HD Ph 8-32	1	<b>0.28</b>	
23	<b>RE-25</b>		E - Clip	1	<b>0.45</b>	
24	<b>R444312</b>	R22-9-BJD, R26-2360, R26-4370, R3219-12, R3219-14, R48-9280, R513287, R915561	Nut - 10-32	1	<b>0.08</b>	
25	<b>R300104</b>		Screw - Button HD Cap 10-32 x 5/8	1	<b>0.32</b>	
26	<b>R101565</b>		Nut - Lock - Throttle Cable	1	<b>6.70</b>	

All original equipment manufacturers names and part numbers are used for identification purposes only, and we are in no way implying that our products are original equipment parts. Prices subject to change without notice.