

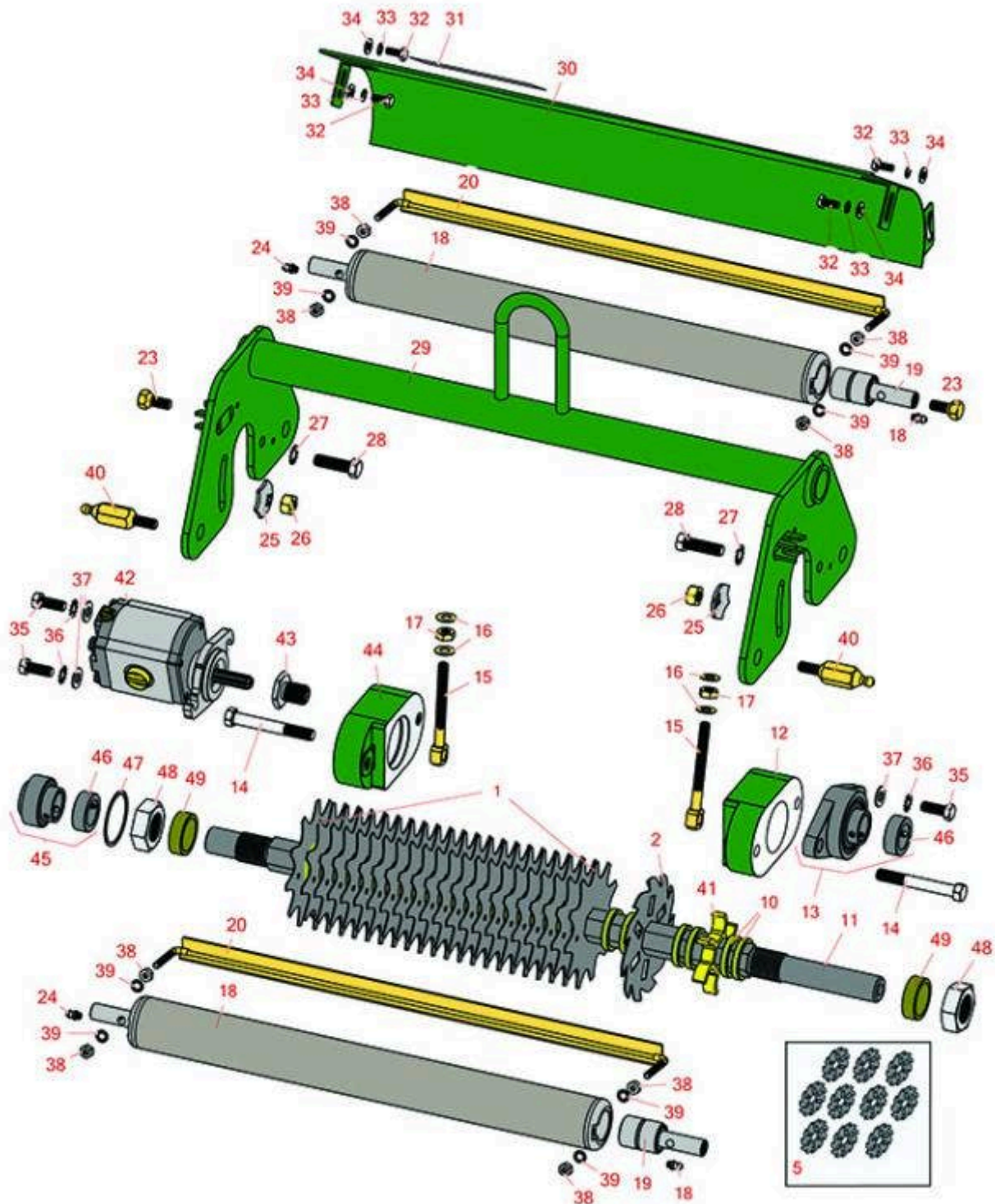


Replaces R&R Products Greens Max

2200LP Parts

Verti-Cut Unit with Rollers

Verti-Cut Reel & Frame



All original equipment manufacturers names and part numbers are used for identification purposes only, and we are in no way implying that our products are original equipment parts. Prices subject to change without notice.



Replaces R&R Products Greens Max

2200LP Parts

Verti-Cut Unit with Rollers

Verti-Cut Reel & Frame



Item No	R&R Part No.	OEM Part No.	Description	Qty Req	Price Each	Order Quantity
---------	--------------	--------------	-------------	---------	------------	----------------

Verti-Cut Blades

1	R17-1590		Verti-Cut Blade	36	3.95	
2	R150209C	R106-6355, R150209, RGCC-003, RTCU26776	Verti-Cut Blade - Carbide Tipped 2mm	36	11.95	
2	R150109C	R106-5422, RGCC-002	Verti-Cut Blade - Carbide Tipped 1.2mm	36	12.35	

Overhaul Kits

5	R106-6392		Verti-Cut Blade Kit - 2mm Carbide Tipped	0	0.00	
---	------------------	--	---	---	-------------	--

*Tech Note: Includes Carbide Tipped Blades to rebuild 3 dethatching reels: 108 ea: R150209C
Vertical Mower Blade:*

Other Parts Available

10	R17-1600		Spacer - V-Cut Reel 1/4	72	2.55	
11	R17-1570		Shaft - Hex Verti-Cut	1	109.75	
12	R17-1520G		Weight - Counter V-Cut - Green	1	72.90	
13	R251-247		Bearing - Flanged V-Cut Sft	1	66.95	
14	R324-13		Bolt - Hex HD 7/16 x 3-1/4	2	1.20	
15	R17-1510		Eyebolt	2	27.40	
16	R17-1710		Washer - Flat 3/8 Yellow USS	4	0.32	

All original equipment manufacturers names and part numbers are used for identification purposes only, and we are in no way implying that our products are original equipment parts. Prices subject to change without notice.



Replaces R&R Products Greens Max 2200LP Parts

*Verti-Cut Unit with Rollers
Verti-Cut Reel & Frame*



Item No	R&R Part No.	OEM Part No.	Description	Qty Req	Price Each	Order Quantity
17	R3217-7	3217-7, R01-188-0616, R1441, R14H1076, R22-13-AJD, R513296, R513415, R513425, R915113P	Nut - 3/8-16 Hex Plated	4	0.24	
18	R150218		Roller - V-Cut	2	145.15	
19	R52-3180	R21-6410	Bearing - Front Roller	4	21.20	
20	R150220		Scraper - Front / Rear Rollers	2	31.10	
23	R150219		Bolt - Rear Roller	2	6.75	
24	R302-5	R173-0, R21-6010, R255825, R302-37, R302-47, R302-57, R302-58, R302-6, R31-0300, R32-9660, R471214, R471223, R471226, R60-0800, R62-3880, R92-4181, RJD7797, RJD7842, RJD7844, RM0004	Fitting - Grease	4	0.27	
25	R3290-334		Washer - Lock Pyramidal	2	2.95	
26	R443114		Nut - 7/16 Hex Yellow Zinc	2	0.36	
27	R3255-16		Washer - Lock 7/16 Ext Tooth	2	0.33	

All original equipment manufacturers names and part numbers are used for identification purposes only, and we are in no way implying that our products are original equipment parts. Prices subject to change without notice.



Replaces R&R Products Greens Max 2200LP Parts

Verti-Cut Unit with Rollers
Verti-Cut Reel & Frame



Item No	R&R Part No.	OEM Part No.	Description	Qty Req	Price Each	Order Quantity
28	R324-6	R01-150-1690, R01-178-0712, R20-68-AGD, R3225-3	Bolt - Hex HD 7/16-14 x 1-1/2	2	0.90	
29	R150212G		Frame - V-Cut - Green	1	296.45	
30	R17-1530G		Shield - Grass V-Cut - Green	1	54.65	
30	R17-1530S		Shield - Grass V-Cut - Stainless	1	66.90	
31	R354083	R104-7729, R361877	Decal - Danger	1	1.25	
32	R329-1		Bolt - Hex HD 1/4-28 x 5/8	4	0.40	
33	R3255-7	R76-5310	Washer - Lock 1/4 Ext Star Z	4	0.11	
34	R3256-22	R09061, R24-9-BD, R3-1032, R93-0954, R93-0989	Washer - Flat 1/4 Yellow	4	0.12	
35	R323-6	323-6, R01-150-0010, R01-178-0608, R20-47-AD, R20-47-AGD, R3224-2, R49-3510, R908034P, R908332	Bolt - Hex HD 3/8-16 x 1 GR5 YZ	2	0.59	
36	R3255-9	RF3077	Washer - Lock 3/8 Ext. Star	2	0.19	

All original equipment manufacturers names and part numbers are used for identification purposes only, and we are in no way implying that our products are original equipment parts. Prices subject to change without notice.



Replaces R&R Products Greens Max 2200LP Parts

*Verti-Cut Unit with Rollers
Verti-Cut Reel & Frame*



Item No	R&R Part No.	OEM Part No.	Description	Qty Req	Price Each	Order Quantity
37	R453011	3256-24, 453011, R01-166-0100, R01-166-0120, R01-166-0270, R01-166-0500, R01-166-0600, R01-166-0620, R132-4593, R237-12, R24-10-AD, R24-11-AD, R24-11-BD, R24-12-AD, R24-12-BD, R30-9310, R32-8190, R3256-24, R3256-3, R3256-36, R3256-4, R47-9950	Washer - Flat 3/8 SAE Y/Zinc	2	0.11	
38	R3219-1	R01-158-0590, R01-188-0428, R14H860	Nut - 1/4-28	8	0.13	
39	R3254-8	R3	Washer - Lock 1/4 Int Star Z	8	0.08	
40	R150213		Ball Joint - Special V-Cut	2	13.95	
41	R150230		Spacer - 1/2 Ventilated V-Cut	36	3.65	
42	R105-9770	R10-5090, R26-5690, R70-9800, R94-3506, R94-3507	Hydraulic Motor - Reel Quick Release	1	383.95	
43	R10-5100		Nut - Splined 1-1/8 Long	1	15.70	
44	R17-1610G		Housing - Bearing V-Cut - Green	1	96.20	
45	R251-206		Bearing	1	20.85	
46	R251-77		Collar - Bearing	2	5.05	

All original equipment manufacturers names and part numbers are used for identification purposes only, and we are in no way implying that our products are original equipment parts. Prices subject to change without notice.



Replaces R&R Products Greens Max 2200LP Parts

Verti-Cut Unit with Rollers

Verti-Cut Reel & Frame



Item No	R&R Part No.	OEM Part No.	Description	Qty Req	Price Each	Order Quantity
47	R32120-77		Ring - Retaining	1	4.55	
48	R3220-18	R67-5840	Nut - Jam V-Cut Shaft	2	4.85	
49	R17-1580		Spacer - V-Cut Reel 1/2	2	2.90	

All original equipment manufacturers names and part numbers are used for identification purposes only, and we are in no way implying that our products are original equipment parts. Prices subject to change without notice.