

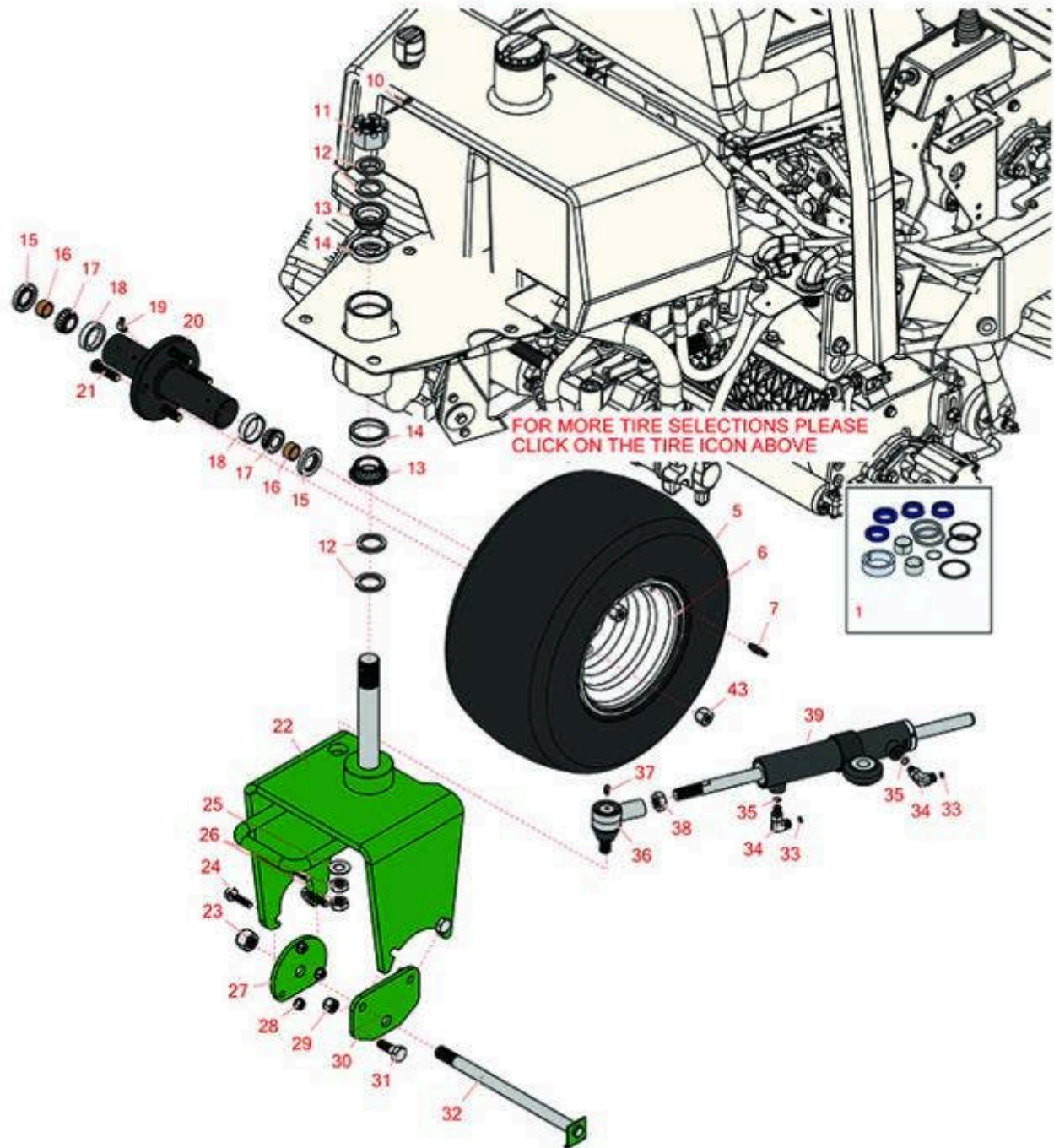


# Replaces R&R Products Greens Max

## 2200LP Parts

Traction Unit

Rear Wheel



All original equipment manufacturers names and part numbers are used for identification purposes only, and we are in no way implying that our products are original equipment parts. Prices subject to change without notice.



# Replaces R&R Products Greens Max

## 2200LP Parts

Traction Unit

Rear Wheel



Item No	R&R Part No.	OEM Part No.	Description	Qty Req	Price Each	Order Quantity
---------	--------------	--------------	-------------	---------	------------	----------------

### Overhaul Kits and Service Tools

1	<b>R112-9170</b>		Seal Kit - Fits R112-0297	1	<b>109.30</b>	
---	------------------	--	---------------------------	---	---------------	--

### Tires

5	<b>RCT510981</b>		Tire - 18 - 9.50 x 8 (4 Ply) Carlisle Smooth	1	<b>79.90</b>	
5	<b>RTK958-4SM-I</b>	RTK958-2SM-I	Tire - 18x9.50-8 (4 Ply) Kenda Smooth	1	<b>90.90</b>	
6	<b>R217-60</b>	R242-49	Wheel - with Valve Stem - White	1	<b>59.05</b>	
7	<b>R232-27</b>	R232-31, R360111	Stem - Valve w/ Cap	1	<b>4.15</b>	

### Other Parts Available

10	<b>R3272-37</b>		Pin - Cotter 1/4 x 2-1/2	1	<b>0.54</b>	
11	<b>R32136-9</b>		Nut - 1-1/4-12 Slotted	1	<b>6.30</b>	
12	<b>R18-6320</b>		Washer - Steering Fork	4	<b>3.15</b>	
13	<b>R254-70</b>	R115-9472	Tapered Bearing Cone - w/Seal	2	<b>19.40</b>	
14	<b>R254-61</b>	R01-103-0090, R115-9471, R254-69, R32-8140, R92-0611, R93-4850	Cup	2	<b>6.70</b>	
15	<b>R253-111</b>	R253-108, RE1029	Seal	2	<b>5.30</b>	
16	<b>R74-3730</b>	R217-96	Spacer	2	<b>3.15</b>	

All original equipment manufacturers names and part numbers are used for identification purposes only, and we are in no way implying that our products are original equipment parts. Prices subject to change without notice.



# Replaces R&R Products Greens Max 2200LP Parts

Traction Unit  
Rear Wheel



Item No	R&R Part No.	OEM Part No.	Description	Qty Req	Price Each	Order Quantity
17	<b>R254-78</b>	R01-102-0060, R01-102-0130, R255815, R32-7790, R32-9580, R385174, R4121174, R4135152, R70030-50302, R93-4813, RB4512, RG-373, RJD8188	Tapered Bearing Cone	2	<b>6.05</b>	
18	<b>R254-79</b>	R01-103-0060, R01-103-0130, R1-633584, R252-106, R255820, R32-7800, R32-9590, R4121175, R70030-50301, R808088, RB4015, RG-372, RJD8226	Cup - Bearing	2	<b>3.20</b>	
<i>Tech Note: Use R254-79M installation mandrel to properly install race.:</i>						
19	<b>R700414</b>	R302-11, R302-4, R32-8170	Zerk - Grease 1/4-28 45 Deg	1	<b>0.76</b>	
20	<b>R75-9440</b>	R217-95	Hub - Rear Wheel - Incl Wheel Studs	1	<b>47.45</b>	
21	<b>R10-6830</b>		Stud - Wheel 1/2-20 x 1 3/4	4	<b>8.50</b>	
22	<b>R112-0285G</b>		Fork - Castor - Green	1	<b>310.05</b>	
23	<b>R3296-67</b>		Locknut - 3/4-16 Heavy Jam RH Thread	1	<b>3.75</b>	
24	<b>R3234-19</b>		Bolt - Hex Washer 3/8-16x1-3/4	3	<b>1.75</b>	

All original equipment manufacturers names and part numbers are used for identification purposes only, and we are in no way implying that our products are original equipment parts. Prices subject to change without notice.



# Replaces R&R Products Greens Max 2200LP Parts

*Traction Unit  
Rear Wheel*



Item No	R&R Part No.	OEM Part No.	Description	Qty Req	Price Each	Order Quantity
25	<b>R3256-27</b>	R24-15-BD, R32-7820, R7-0131, R7-2178	Washer - Flat 5/8 SAE	1	<b>0.26</b>	
26	<b>R443828</b>	R01-191-1018, R3220-6, R915089P	Nut - 5/8-18 Hex	2	<b>0.62</b>	
27	<b>R99-1486G</b>		Plate - Adapter - Green	1	<b>22.35</b>	
28	<b>R3296-39</b>	3296-39, R32127-25, R32128-36, R3296-17, R3296-22, R915663P, R99-7443	Locknut - 3/8-16 Nylon	3	<b>1.40</b>	
29	<b>RF5003</b>	3296-23, R32127-29, R32131-5, R32132-5, R3296-23, R64229-05	Locknut - ESNA 1/2-13	2	<b>0.78</b>	
30	<b>R99-1485G</b>		Plate - Adapter - Green	1	<b>26.05</b>	
31	<b>R400408</b>	325-6, R01-150-0090, R01-178-0812, R20-87-AD, R20-87-AGD, R20-87-AGF, R3226-2, R325-6, R513376, R513378	Bolt - Hex HD 1/2-13 x 1-1/2	2	<b>2.30</b>	
32	<b>R5-3934</b>		Bolt - Steering Caster Fork	1	<b>26.35</b>	
33	<b>R237-21</b>		O-Ring	2	<b>0.47</b>	
34	<b>R340-132</b>		Hydraulic Fitting - 90 Deg	2	<b>14.40</b>	

All original equipment manufacturers names and part numbers are used for identification purposes only, and we are in no way implying that our products are original equipment parts. Prices subject to change without notice.



# Replaces R&R Products Greens Max 2200LP Parts

*Traction Unit  
Rear Wheel*



Item No	R&R Part No.	OEM Part No.	Description	Qty Req	Price Each	Order Quantity
35	<b>R237-22</b>	R107-8844, R232-72, R237-78	O-Ring	2	<b>0.62</b>	
36	<b>R2411-46</b>	R2411-46-03	End - Tie Rod - LH	1	<b>60.30</b>	
37	<b>R302-5</b>	R173-0, R21-6010, R255825, R302-37, R302-47, R302-57, R302-58, R302-6, R31-0300, R32-9660, R471214, R471223, R471226, R60-0800, R62-3880, R92-4181, RJD7797, RJD7842, RJD7844, RM0004	Fitting - Grease	1	<b>0.27</b>	
38	<b>R84-5300</b>		Nut - Jam 11/16-18 RH	1	<b>5.45</b>	
39	<b>R112-0297</b>	R105-0411	Steering Cylinder	1	<b>441.05</b>	
43	<b>R242-50</b>		Nut - 1/2-20 Wheel	4	<b>1.50</b>	

All original equipment manufacturers names and part numbers are used for identification purposes only, and we are in no way implying that our products are original equipment parts. Prices subject to change without notice.