

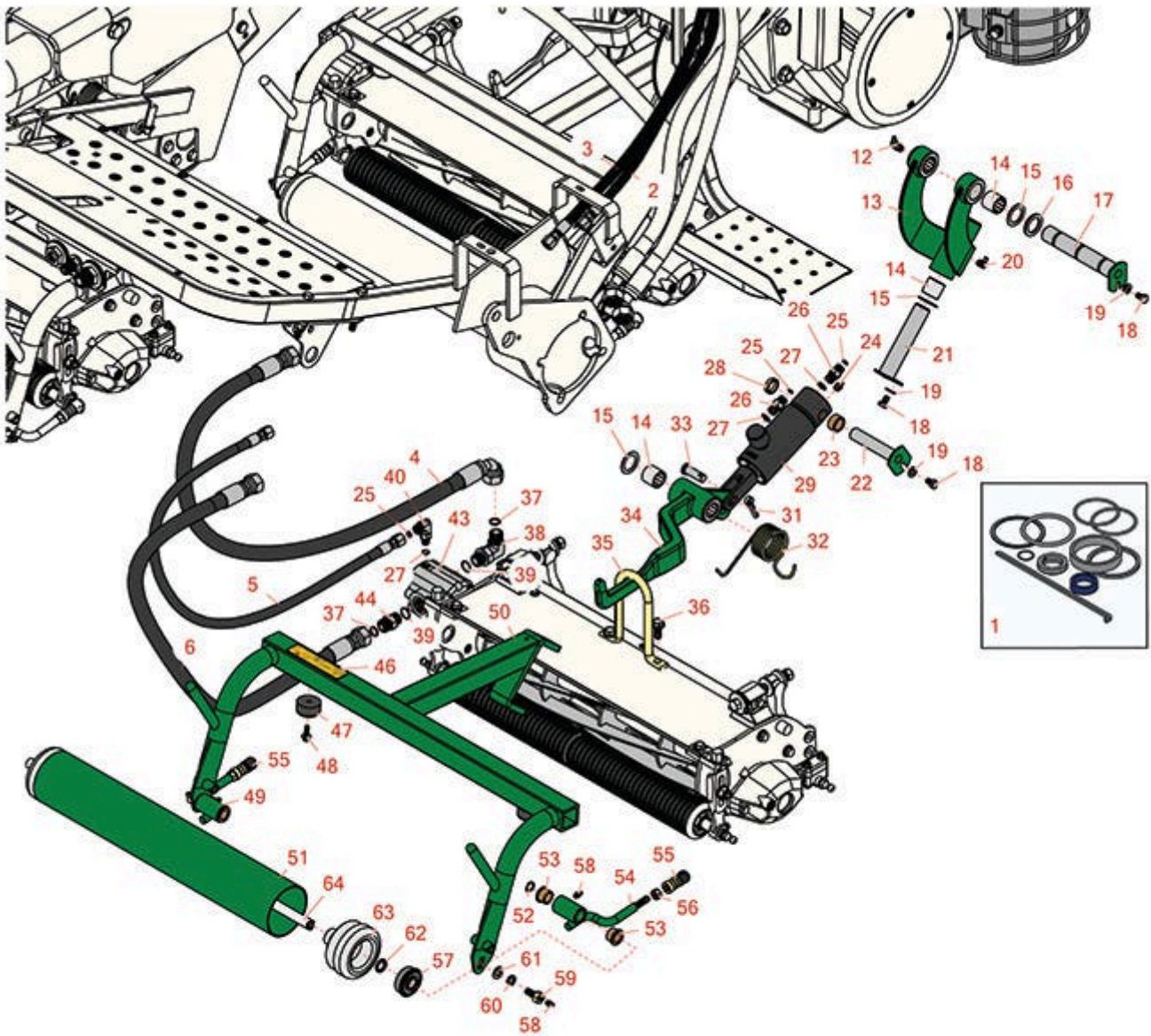


Replaces R&R Products Greens Max

2200LP Parts

Traction Unit

Left Pull Frame



All original equipment manufacturers names and part numbers are used for identification purposes only, and we are in no way implying that our products are original equipment parts. Prices subject to change without notice.



Replaces R&R Products Greens Max

2200LP Parts

Traction Unit

Left Pull Frame



Item No	R&R Part No.	OEM Part No.	Description	Qty Req	Price Each	Order Quantity
---------	--------------	--------------	-------------	---------	------------	----------------

Overhaul Kits and Service Tools

1	R107-2564		Seal Kit - Fits 107-1981 Hyd Cyl	1	77.55	
---	------------------	--	----------------------------------	---	--------------	--

Hoses

2	R108-6508		Hydraulic Hose Assy	1	34.85	
3	R108-6507		Hydraulic Hose Assy	1	37.75	
4	R95-2909	R93-2263	Hydraulic Hose Assy - Reel Motor	1	86.45	
5	R106-9674		Hydraulic Hose Assy	1	39.20	
6	R95-2908	R105-5403, R93-2262	Hydraulic Hose Assy - Reel Motor	1	86.10	

Other Parts Available

12	R323016	R302-33	Zerk - Grease	1	0.80	
13	R10-7820G		Pivot Hinge Assy - Green	1	280.40	
14	R3-0348	R324124, R342124	Bushing	6	4.70	
15	R10-8110		Washer - Pivot Pin	6	0.99	
16	R5-1226		Spacer	2	3.60	
17	R114-4683		Pin - Hinge 6-1/4 Long	1	36.55	
18	R322-1	R01-178-0504, R20-22-AD, R20-22-AGD, R513337, RB310801	Bolt - Hex HD 5/16-18 x 1/2	3	0.47	

All original equipment manufacturers names and part numbers are used for identification purposes only, and we are in no way implying that our products are original equipment parts. Prices subject to change without notice.



Replaces R&R Products Greens Max

2200LP Parts

Traction Unit

Left Pull Frame



Item No	R&R Part No.	OEM Part No.	Description	Qty Req	Price Each	Order Quantity
19	R453009	3256-3, R01-166-0400, R24-10-BD, R24-9-AD, R24H1136, R32-9650, R3256-2, R3256-23, R3256-67, R3290-217, R3556-3, R4-2390, R452006, R7-0152	Washer - Flat 5/16 SAE	3	0.13	
20	R302-60		Zerk - Grease 90 Deg.	1	0.68	
21	R10-6090		Pin - Pivot 4 7/8 Long	1	24.65	
22	R10-6060G		Pin - Pivot 3-7/8 Long - Green	1	13.10	
23	R74-3730	R217-96	Spacer	1	3.15	
24	R471219	471219, R30-8360, R302-2, R302-24, R302-31, R471231, RJD7759, RJD7798	Zerk - Grease	1	0.41	
25	R237-21		O-Ring	3	0.47	
26	R340-92		Hydraulic Fitting - Striaight	2	6.95	
27	R237-22	R107-8844, R232-72, R237-78	O-Ring	3	0.62	
28	R105-3828		Spacer - Lift Cyl	1	6.55	
29	R106-9066		Hydraulic Cylinder - LH / RH	1	317.30	

All original equipment manufacturers names and part numbers are used for identification purposes only, and we are in no way implying that our products are original equipment parts. Prices subject to change without notice.



Replaces R&R Products Greens Max 2200LP Parts

*Traction Unit
Left Pull Frame*



Item No	R&R Part No.	OEM Part No.	Description	Qty Req	Price Each	Order Quantity
31	R3272-11	R01-151-0010, R01-151-0040, R28-18-D, R28-28-D, R3211-72	Pin - Cotter	1	0.70	
32	R110-3952	R106-9079	Spring - Torsion - LH	1	6.05	
33	R283-8	R17-3670, R7-2035	Clevis Pin - 1/2 x 1-27/64	1	2.55	
34	R107-2598G		Lift Arm Assy - LH - Green	1	83.15	
35	R105-5740		Hook - Lift	1	9.20	
36	R33115-025	R48-7780	Bolt - Hex HD M10-1.5 x 25	2	0.97	
37	R237-30	R23-6320	O-Ring - Seal	2	0.78	
38	R340-98		Hydraulic Fitting	1	15.60	
39	R237-79		O-Ring	2	1.50	
40	R340-132		Hydraulic Fitting - 90 Deg	1	14.40	
43	R120-2072	R100-6426, R108-6487, R112-9200, R93-1375	Hydraulic Gear Motor	1	360.90	
44	R340-4		Hydraulic Fitting - Male Connector	1	7.95	
46	R93-6688		Decal - Warning	1	2.30	
47	R94-4548		Rubber Bumper	2	2.55	
48	R49-2040	R32104-42, R32104-95, R32144-44	Bolt - Hex Washer 1/4-20 x 3/4	2	0.72	
49	R92-0585G		Arm - Pull RH - Green	1	36.40	
50	R86-9810G		Frame - Pull LH - Green	1	144.20	

All original equipment manufacturers names and part numbers are used for identification purposes only, and we are in no way implying that our products are original equipment parts. Prices subject to change without notice.



Replaces R&R Products Greens Max 2200LP Parts

*Traction Unit
Left Pull Frame*



Item No	R&R Part No.	OEM Part No.	Description	Qty Req	Price Each	Order Quantity
51	R99-4277G		Basket Roller - Smooth - Green	1	163.55	
52	R3290-317		Washer - Wave	2	1.45	
53	R3-1506	R256-287, R3709088, R4-4550, R75-2160, R9329	Bushing - Bronze	4	3.05	
54	R92-0586G		Arm - Pull LH - Green	1	36.40	
55	R99-1460	R2411-28, R2411-29, R2411-30, R2411-6, R2411-8, R8-7710, R94-2959	Receiver - Ball Joint	2	11.25	
56	R3220-3	R01-191-0624, R3290-149	Nut - Jam Ball Joint	2	0.24	
57	R251-141		Bearing - Roller	2	19.20	
58	R302-5	R173-0, R21-6010, R255825, R302-37, R302-47, R302-57, R302-58, R302-6, R31-0300, R32-9660, R471214, R471223, R471226, R60-0800, R62-3880, R92-4181, RJD7797, RJD7842, RJD7844, RM0004	Fitting - Grease	4	0.27	

All original equipment manufacturers names and part numbers are used for identification purposes only, and we are in no way implying that our products are original equipment parts. Prices subject to change without notice.



Replaces R&R Products Greens Max 2200LP Parts

*Traction Unit
Left Pull Frame*



Item No	R&R Part No.	OEM Part No.	Description	Qty Req	Price Each	Order Quantity
59	R11-0160		Screw - Roller Shaft	2	8.75	
60	R3253-21	3253-21, R215-51, R30-8470, R7-1912, RMT3949	Washer - Lock 3/8	2	0.14	
61	R453011	3256-24, 453011, R01-166-0100, R01-166-0120, R01-166-0270, R01-166-0500, R01-166-0600, R01-166-0620, R132-4593, R237-12, R24-10-AD, R24-11-AD, R24-11-BD, R24-12-AD, R24-12-BD, R30-9310, R32-8190, R3256-24, R3256-3, R3256-36, R3256-4, R47-9950	Washer - Flat 3/8 SAE Y/Zinc	2	0.11	
62	R253-83		Seal - Oil 7/8 OD x 5/8 ID	2	6.25	
63	R25-5551		Roller End - Alum Basket Roller	2	47.25	
64	R21-8470		Shaft - Roller	1	30.20	

All original equipment manufacturers names and part numbers are used for identification purposes only, and we are in no way implying that our products are original equipment parts. Prices subject to change without notice.