

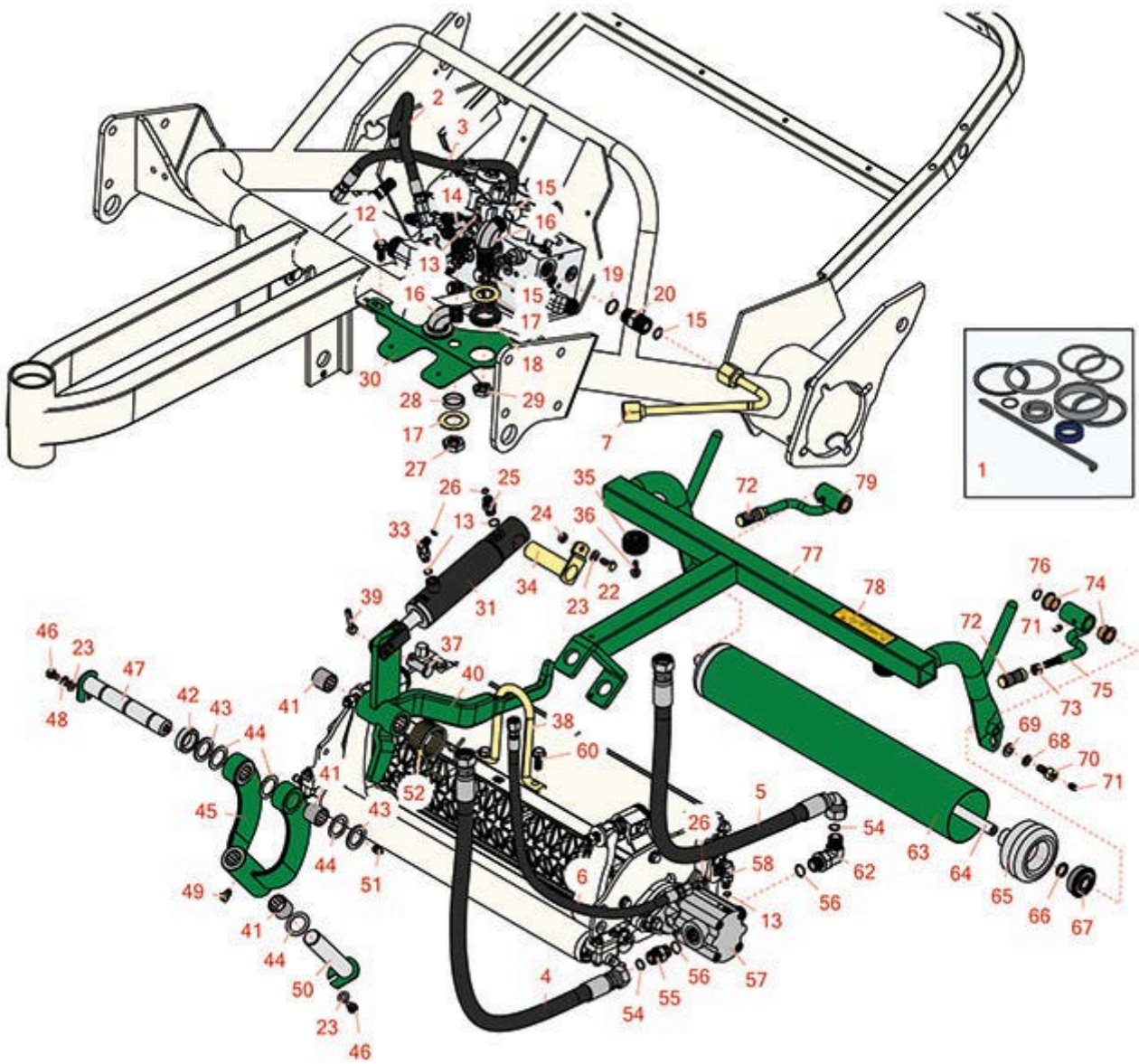


Replaces R&R Products Greens Max

2200LP Parts

Traction Unit

Center Pull Frame



All original equipment manufacturers names and part numbers are used for identification purposes only, and we are in no way implying that our products are original equipment parts. Prices subject to change without notice.



Replaces R&R Products Greens Max

2200LP Parts

Traction Unit

Center Pull Frame



Item No	R&R Part No.	OEM Part No.	Description	Qty Req	Price Each	Order Quantity
---------	--------------	--------------	-------------	---------	------------	----------------

Overhaul Kits and Service Tools

1	R107-2563		Seal Kit	1	52.40	
---	------------------	--	----------	---	--------------	--

Hoses

2	R108-6510		Hydraulic Hose Assy	1	32.70	
3	R112-9185		Hydraulic Hose Assy	1	57.60	
4	R105-5400		Hydraulic Hose Assy	1	80.40	
5	R105-5402		Hydraulic Hose Assy	1	46.75	
6	R105-5401		Hydraulic Hose Assy	1	86.85	
7	R105-5482		Tube-Hyd, Manifold	1	59.95	

Other Parts Available

12	R32144-14	R32104-32, R32104-49	Bolt - Hex Washer 5/16-18 x 5/8	1	2.45	
13	R237-22	R107-8844, R232-72, R237-78	O-Ring	6	0.62	
14	R105-8281		Tee-Bulkhead	1	45.75	
15	R237-65		O-Ring	5	0.65	
16	R340-72	R96-0865	Fitting-Bulkhead,	2	27.90	
17	R69-9010		Washer	4	2.40	
18	R240-3		Grommet- Rubber	2	9.60	
19	R237-80	R327-80	O-Ring	1	1.85	
20	R340-7		Adapter	1	9.65	

All original equipment manufacturers names and part numbers are used for identification purposes only, and we are in no way implying that our products are original equipment parts. Prices subject to change without notice.



Replaces R&R Products Greens Max

2200LP Parts

Traction Unit

Center Pull Frame



Item No	R&R Part No.	OEM Part No.	Description	Qty Req	Price Each	Order Quantity
22	R322-3	R01-150-1420, R01-178-0506, R09109, R20-24-AD, R20-24-AGD, R48-9270, R513339, R908017P, RB311201	Bolt - Hex HD 5/16-18 x 3/4	1	0.62	
23	R453009	3256-3, R01-166-0400, R24-10-BD, R24-9-AD, R24H1136, R32-9650, R3256-2, R3256-23, R3256-67, R3290-217, R3556-3, R4-2390, R452006, R7-0152	Washer - Flat 5/16 SAE	3	0.13	
24	R3296-29	3296-29, R1-804256, R915662P	Locknut - 5/16-18 ESNA	1	2.95	
25	R340-92		Hydraulic Fitting - Striaight	1	6.95	
26	R237-21		O-Ring	3	0.47	
27	R340-74		Locknut - Bulkhead	2	5.05	
28	R69-9000	R125-1984	Spacer	2	8.95	
29	R340-70		Nut - Lock	1	2.30	
30	R105-8253G		Bracket - Bulkhead - Green	1	38.75	
31	R106-9064		Hydraulic Cylinder - Center	1	307.85	
33	R340-103	R340-137	Hydraulic Fitting - 45 Deg	1	18.15	

All original equipment manufacturers names and part numbers are used for identification purposes only, and we are in no way implying that our products are original equipment parts. Prices subject to change without notice.



Replaces R&R Products Greens Max

2200LP Parts

Traction Unit

Center Pull Frame



Item No	R&R Part No.	OEM Part No.	Description	Qty Req	Price Each	Order Quantity
34	R68-5560		Pivot Pin - Cylinder	1	26.25	
35	R94-4548		Rubber Bumper	2	2.55	
36	R49-2040	R32104-42, R32104-95, R32144-44	Bolt - Hex Washer 1/4-20 x 3/4	2	0.72	
37	R283-8	R17-3670, R7-2035	Clevis Pin - 1/2 x 1-27/64	1	2.55	
38	R105-5740		Hook - Lift	1	9.20	
39	R3272-11	R01-151-0010, R01-151-0040, R28-18-D, R28-28-D, R3211-72	Pin - Cotter	1	0.70	
40	R110-3955G		Lift Arm Assy - Center - Green	1	103.60	
41	R3-0348	R324124, R342124	Bushing	6	4.70	
42	R93-2384		Spacer - Carrier Frame	1	7.30	
43	R5-1226		Spacer	2	3.60	
44	R10-8110		Washer - Pivot Pin	6	0.99	
45	R10-7820G		Pivot Hinge Assy - Green	1	280.40	
46	R322-1	R01-178-0504, R20-22-AD, R20-22-AGD, R513337, RB310801	Bolt - Hex HD 5/16-18 x 1/2	2	0.47	
47	R114-4685		Pin - Hinge 6-5/8 Long	1	38.15	

All original equipment manufacturers names and part numbers are used for identification purposes only, and we are in no way implying that our products are original equipment parts. Prices subject to change without notice.



Replaces R&R Products Greens Max 2200LP Parts

*Traction Unit
Center Pull Frame*



Item No	R&R Part No.	OEM Part No.	Description	Qty Req	Price Each	Order Quantity
48	R3253-4	R01-166-0110, R01-166-0510, R09053, R23-10-GD, R24-7170, R30-8520, R42-9850, R48-9350, R48-9360, R48-9570, R68-9420, R99-7577	Washer - Lock 5/16 Zinc	1	0.14	
49	R302-60		Zerk - Grease 90 Deg.	1	0.68	
50	R10-6090		Pin - Pivot 4 7/8 Long	1	24.65	
51	R471219	471219, R30-8360, R302-2, R302-24, R302-31, R471231, RJD7759, RJD7798	Zerk - Grease	2	0.41	
52	R110-3953	R106-9080	Spring - Torsion - Center	1	6.45	
54	R237-30	R23-6320	O-Ring - Seal	2	0.78	
55	R340-4		Hydraulic Fitting - Male Connector	1	7.95	
56	R237-79		O-Ring	2	1.50	
57	R120-2072	R100-6426, R108-6487, R112-9200, R93-1375	Hydraulic Gear Motor	1	360.90	
58	R340-132		Hydraulic Fitting - 90 Deg	1	14.40	
60	R33115-025	R48-7780	Bolt - Hex HD M10-1.5 x 25	2	0.97	
62	R340-98		Hydraulic Fitting	1	15.60	

All original equipment manufacturers names and part numbers are used for identification purposes only, and we are in no way implying that our products are original equipment parts. Prices subject to change without notice.



Replaces R&R Products Greens Max

2200LP Parts

Traction Unit

Center Pull Frame



Item No	R&R Part No.	OEM Part No.	Description	Qty Req	Price Each	Order Quantity
63	R99-4277G		Basket Roller - Smooth - Green	1	163.55	
64	R21-8470		Shaft - Roller	1	30.20	
65	R25-5551		Roller End - Alum Basket Roller	2	47.25	
66	R253-83		Seal - Oil 7/8 OD x 5/8 ID	2	6.25	
67	R251-141		Bearing - Roller	2	19.20	
68	R3253-21	3253-21, R215-51, R30-8470, R7-1912, RMT3949	Washer - Lock 3/8	2	0.14	
69	R453011	3256-24, 453011, R01-166-0100, R01-166-0120, R01-166-0270, R01-166-0500, R01-166-0600, R01-166-0620, R132-4593, R237-12, R24-10-AD, R24-11-AD, R24-11-BD, R24-12-AD, R24-12-BD, R30-9310, R32-8190, R3256-24, R3256-3, R3256-36, R3256-4, R47-9950	Washer - Flat 3/8 SAE Y/Zinc	2	0.11	
70	R11-0160		Screw - Roller Shaft	2	8.75	

All original equipment manufacturers names and part numbers are used for identification purposes only, and we are in no way implying that our products are original equipment parts. Prices subject to change without notice.



Replaces R&R Products Greens Max

2200LP Parts

Traction Unit

Center Pull Frame



Item No	R&R Part No.	OEM Part No.	Description	Qty Req	Price Each	Order Quantity
71	R302-5	R173-0, R21-6010, R255825, R302-37, R302-47, R302-57, R302-58, R302-6, R31-0300, R32-9660, R471214, R471223, R471226, R60-0800, R62-3880, R92-4181, RJD7797, RJD7842, RJD7844, RM0004	Fitting - Grease	4	0.27	
72	R99-1460	R2411-28, R2411-29, R2411-30, R2411-6, R2411-8, R8-7710, R94-2959	Receiver - Ball Joint	2	11.25	
73	R3220-3	R01-191-0624, R3290-149	Nut - Jam Ball Joint	2	0.24	
74	R3-1506	R256-287, R3709088, R4-4550, R75-2160, R9329	Bushing - Bronze	4	3.05	
75	R92-0585G		Arm - Pull RH - Green	1	36.40	
76	R3290-317		Washer - Wave	2	1.45	
77	R92-9177G		Frame - Pull RH - Green	1	141.75	
78	R93-6688		Decal - Warning	1	2.30	

All original equipment manufacturers names and part numbers are used for identification purposes only, and we are in no way implying that our products are original equipment parts. Prices subject to change without notice.

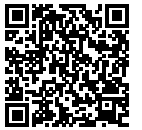


Replaces R&R Products Greens Max

2200LP Parts

Traction Unit

Center Pull Frame



Item No	R&R Part No.	OEM Part No.	Description	Qty Req	Price Each	Order Quantity
79	R92-0586G		Arm - Pull LH - Green	1	36.40	

All original equipment manufacturers names and part numbers are used for identification purposes only, and we are in no way implying that our products are original equipment parts. Prices subject to change without notice.