

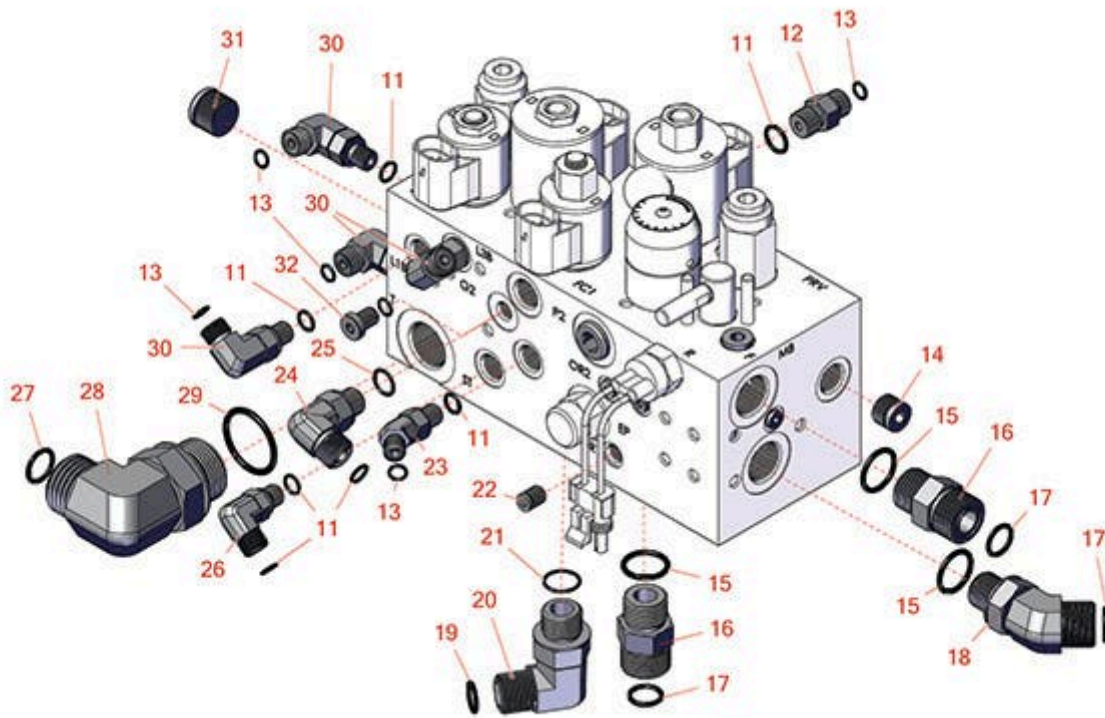


Replaces R&R Products Greens Max

2200LP Parts

Traction Unit

Hydraulic Manifold



All original equipment manufacturers names and part numbers are used for identification purposes only, and we are in no way implying that our products are original equipment parts. Prices subject to change without notice.



Replaces R&R Products Greens Max

2200LP Parts

*Traction Unit
Hydraulic Manifold*



Item No	R&R Part No.	OEM Part No.	Description	Qty Req	Price Each	Order Quantity
11	R237-22	R107-8844, R232-72, R237-78	O-Ring	7	0.62	
12	R340-92		Hydraulic Fitting - Striaight	1	6.95	
13	R237-21		O-Ring	5	0.47	
14	R106-1026		Plug-Hyd	5	5.85	
15	R237-80	R327-80	O-Ring	3	1.85	
16	R340-7		Adapter	2	9.65	
17	R237-65		O-Ring	2	0.65	
18	R340-14	R96-0861	Hydraulic Fitting - 45 Deg	1	21.90	
19	R237-30	R23-6320	O-Ring - Seal	1	0.78	
20	R340-98		Hydraulic Fitting	1	15.60	
21	R237-79		O-Ring	1	1.50	
22	R106-1025		Plug - Hyd	13	5.70	
23	R340-103	R340-137	Hydraulic Fitting - 45 Deg	1	18.15	
24	R340-77	R340-100, R95-7889	Hydraulic Fitting	2	15.85	
25	R237-42	R31-4160, R339897	O-Ring	1	0.80	
26	R340-97		Hydraulic Fitting - 90 Deg	1	15.55	
27	R237-58		O-Ring	1	0.78	
28	R340-142	R95-1692	Hydraulic Fitting - 90 Deg	1	36.05	
29	R237-146	R340-146	O-Ring	1	1.45	

All original equipment manufacturers names and part numbers are used for identification purposes only, and we are in no way implying that our products are original equipment parts. Prices subject to change without notice.



Replaces R&R Products Greens Max

2200LP Parts

Traction Unit

Hydraulic Manifold



Item No	R&R Part No.	OEM Part No.	Description	Qty Req	Price Each	Order Quantity
30	R340-132		Hydraulic Fitting - 90 Deg	3	14.40	
31	R106-1027		Plug-Hyd	2	7.65	
32	R353-990		Plug	2	5.70	

All original equipment manufacturers names and part numbers are used for identification purposes only, and we are in no way implying that our products are original equipment parts. Prices subject to change without notice.