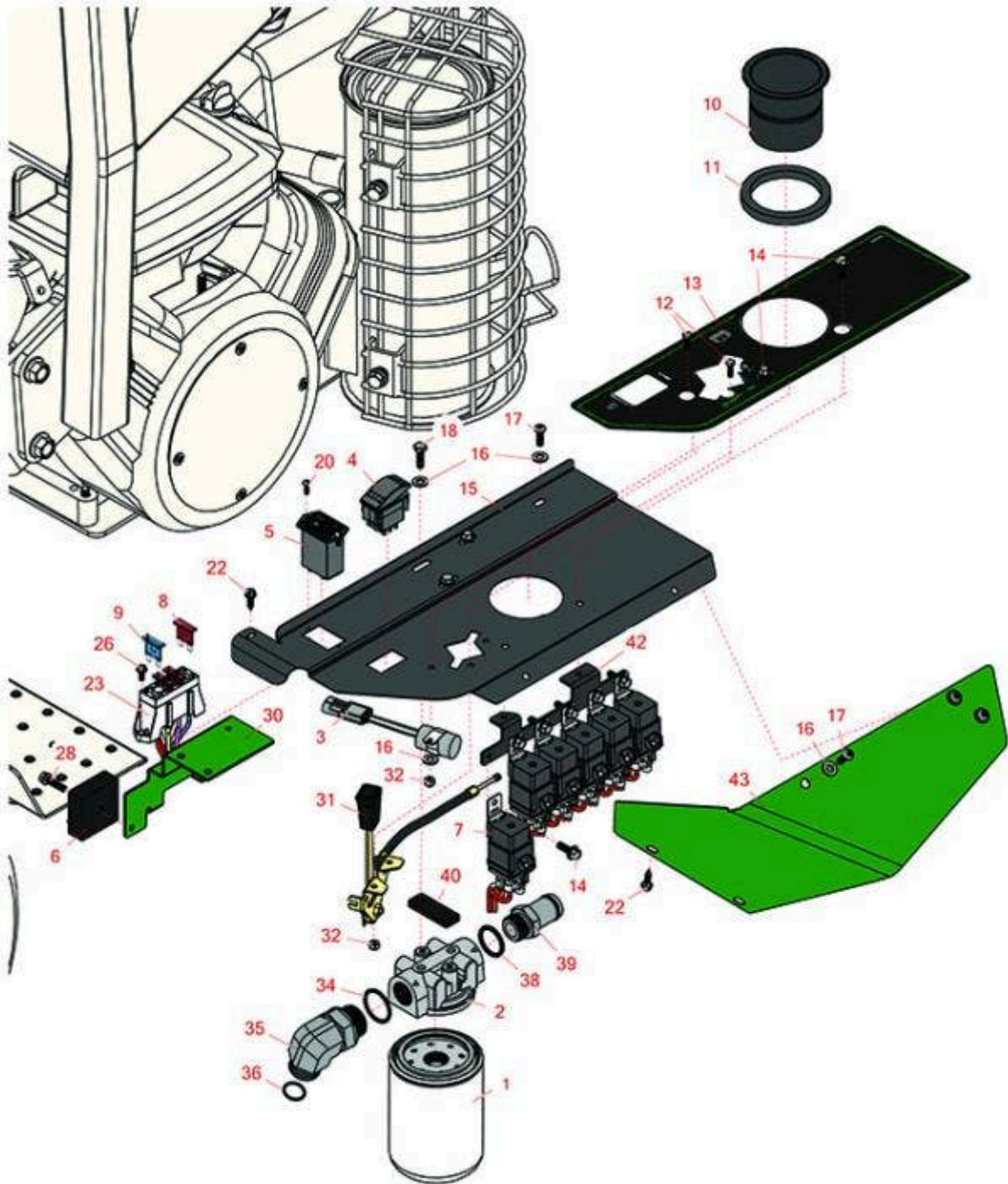




# Replaces R&R Products Greens Max 2200LP Parts

Traction Unit  
Control Panel



All original equipment manufacturers names and part numbers are used for identification purposes only, and we are in no way implying that our products are original equipment parts. Prices subject to change without notice.



# Replaces R&R Products Greens Max

## 2200LP Parts

Traction Unit  
Control Panel



Item No	R&R Part No.	OEM Part No.	Description	Qty Req	Price Each	Order Quantity
<b>Filters</b>						
1	<b>R107-9531</b>	R105-0438	Donaldson Oil Filter - Hyd	1	<b>11.40</b>	
2	<b>R150924</b>		Filter Head Assy	1	<b>30.15</b>	
<b>Gauges and Controls</b>						
3	<b>R83-2280</b>		Timer - Delay	1	<b>75.50</b>	
4	<b>R105-4320</b>		Switch	1	<b>59.35</b>	
5	<b>R1-513374</b>		Hour Meter	1	<b>61.55</b>	
6	<b>R92-2538</b>		Module- Delay Timer - 6 Sec	1	<b>100.55</b>	
7	<b>R99-7430</b>		Relay - 30 Amp	6	<b>15.05</b>	
8	<b>R218-578</b>	R95-2438	Fuse - 10 Amp	3	<b>1.45</b>	
9	<b>R150812</b>	R109355, R218-581	Fuse - 15 Amp	1	<b>2.45</b>	
<b>Other Parts Available</b>						
10	<b>R94-1410</b>	R151023	Holder - Beverage Can	1	<b>3.55</b>	
11	<b>R104-1476</b>		Ring - Rubber	1	<b>10.95</b>	
12	<b>R3290-134</b>		Screw - 10-24x5/8 Hh Ms	2	<b>0.29</b>	
13	<b>R151531</b>		Decal - Left Pane - LP	1	<b>19.70</b>	
14	<b>R32144-10</b>	R32140-81, R32144-3, R34-140-AMVD	Bolt - 1/4-20 x 3/4 Serrated Hx Wshr	9	<b>2.85</b>	
15	<b>R151522</b>		Control Panel - Fits RGM2200LP	1	<b>75.15</b>	

All original equipment manufacturers names and part numbers are used for identification purposes only, and we are in no way implying that our products are original equipment parts. Prices subject to change without notice.



# Replaces R&R Products Greens Max

## 2200LP Parts

Traction Unit  
Control Panel



Item No	R&R Part No.	OEM Part No.	Description	Qty Req	Price Each	Order Quantity
16	<b>R3256-22</b>	R09061, R24-9-BD, R3-1032, R93-0954, R93-0989	Washer - Flat 1/4 Yellow	6	<b>0.12</b>	
17	<b>R3274-69</b>	R3274-91	Screw - 1/4-20 x 3/4 Hsbh	4	<b>0.43</b>	
18	<b>R321-5</b>	R321-31, R400110	Bolt - Hex HD 1/4-20 x 7/8	2	<b>0.29</b>	
20	<b>R32144-18</b>		Screw - Hex HD	2	<b>1.90</b>	
22	<b>R32104-116</b>		Screw - 12 x 1/2 Sheet Metal HswH	3	<b>0.45</b>	
23	<b>R108-6883</b>		Harness-Wire	1	<b>193.15</b>	
26	<b>R32144-1</b>	R45-0710	Screw-Taptite	2	<b>3.05</b>	
28	<b>R32144-86</b>		Screw - 1/4-20 x 1 Hwhtf	1	<b>0.55</b>	
30	<b>R105-4310G</b>		Bracket - Fuse - Green	1	<b>27.90</b>	
31	<b>R83-0030</b>		Control - Throttle	1	<b>19.40</b>	
32	<b>R3296-12</b>	R32127-20	Nut - 10-32 Nylon Lock	2	<b>0.55</b>	
34	<b>R237-146</b>	R340-146	O-Ring	1	<b>1.45</b>	
35	<b>R340-142</b>	R95-1692	Hydraulic Fitting - 90 Deg	1	<b>36.05</b>	
36	<b>R237-58</b>		O-Ring	1	<b>0.78</b>	
38	<b>R237-81</b>		O-Ring	1	<b>2.30</b>	
39	<b>R99-3017</b>		Fitting	1	<b>42.20</b>	
40	<b>R105-4309</b>		Plate-Filter	1	<b>6.05</b>	
42	<b>R105-4306-03</b>		Bracket-Relay	1	<b>12.05</b>	
43	<b>R105-5411G</b>		Valve Cover Shield - Green	1	<b>31.80</b>	

All original equipment manufacturers names and part numbers are used for identification purposes only, and we are in no way implying that our products are original equipment parts. Prices subject to change without notice.