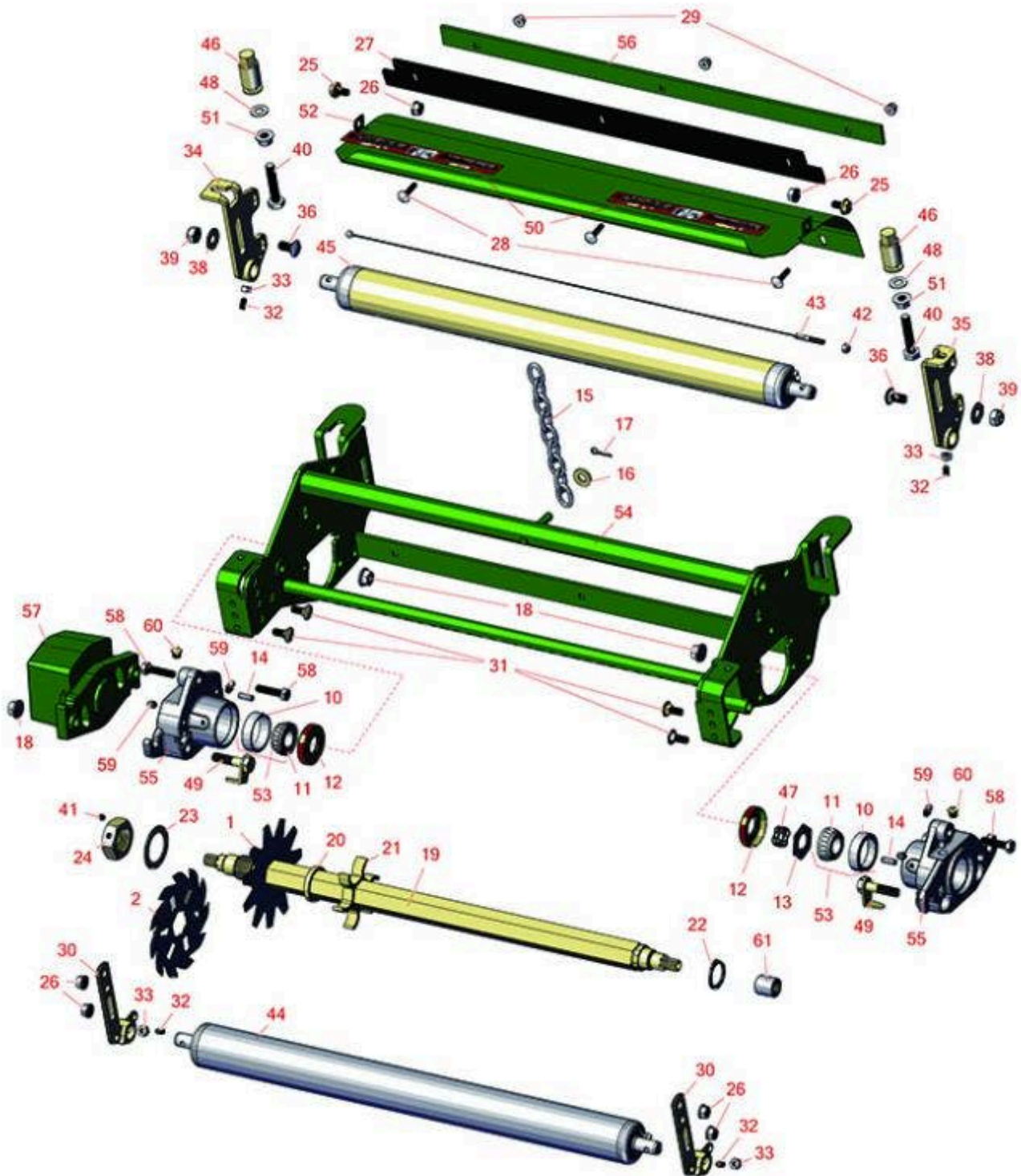




# Replaces John Deere 3235B Reel Mower

## Parts

Medium Verti-Cut Unit  
Verti-Cut Reel & Frame



All original equipment manufacturers names and part numbers are used for identification purposes only, and we are in no way implying that our products are original equipment parts. Prices subject to change without notice.



# Replaces John Deere 3235B Reel Mower Parts

Medium Verti-Cut Unit  
Verti-Cut Reel & Frame



Item No	R&R Part No.	OEM Part No.	Description	Qty Req	Price Each	Order Quantity
1	<b>RAMT2703</b>	AMT2703, ET17719	Blade - Vertical Mower	27	<b>7.40</b>	
2	<b>R150209C</b>	TCU26776	Verti-Cut Blade - Carbide Tipped 2mm	27	<b>11.95</b>	
10	<b>R254-79</b>	JD8226	Cup - Bearing	2	<b>3.20</b>	
<i>Tech Note: Use R254-79M installation mandrel to properly install race.:</i>						
11	<b>R254-78</b>	JD8188	Tapered Bearing Cone	2	<b>6.05</b>	
12	<b>RET14566</b>	ET14566	Seal - Reel	2	<b>6.80</b>	
13	<b>RET16704</b>	ET16704	Retainer	1	<b>6.55</b>	
14	<b>RR30587</b>	30587, R30587	Pin - Dowell 1/4 Dia. x .75	2	<b>1.40</b>	
15	<b>RAMT1479</b>	AMT1479	Chain - Link	1	<b>10.65</b>	
16	<b>R24H1682</b>	24H1682	Washer - 13/32 x 7/8 x 1/8	1	<b>2.15</b>	
17	<b>R11M7012</b>	11M7012	Pin - Cotter 1/8 x 5/8	1	<b>0.23</b>	
18	<b>RH135891</b>	H135891	Locknut - 10mm x 1.5 Flanged 10.9	6	<b>3.85</b>	
<i>Tech Note: High Strength:</i>						
19	<b>RET17715</b>	ET17715	Shaft - Vertical Mower	1	<b>129.10</b>	
20	<b>RET17713</b>	ET17713	Spacer - Vertical Mower Shaft	81	<b>3.45</b>	
21	<b>R150230</b>		Spacer - 1/2 Ventilated V-Cut	26	<b>3.65</b>	
22	<b>RC17964</b>	C17964	Ring - Retaining HD	1	<b>4.20</b>	
23	<b>R24H1513</b>	24H1513	Washer	1	<b>4.15</b>	
24	<b>RET17053</b>	ET17053	Nut - 1-1/8-7 Jam Incl Set Screw	1	<b>9.95</b>	
25	<b>R19M7865</b>	19M7865	Bolt - Hex Washer M8 x 16	2	<b>0.87</b>	

All original equipment manufacturers names and part numbers are used for identification purposes only, and we are in no way implying that our products are original equipment parts. Prices subject to change without notice.



# Replaces John Deere 3235B Reel Mower Parts

Medium Verti-Cut Unit  
Verti-Cut Reel & Frame



Item No	R&R Part No.	OEM Part No.	Description	Qty Req	Price Each	Order Quantity
26	<b>R14M7298</b>	14M7298	Nut - 8mm x 1.25 Flanged	6	<b>0.37</b>	
27	<b>RET17914</b>	ET17914	Rubber Isolator - Verticut	1	<b>27.90</b>	
28	<b>R03M7232</b>	03M7232	Bolt - Carriage M6-1.0 x 25	3	<b>0.67</b>	
29	<b>R14M7397</b>	14M7397, 14M7463	Locknut - 6mm x 1.0 ESNA Flanged	3	<b>0.55</b>	
30	<b>RMT3015</b>	MT3015	Bracket - RH - Extended	2	<b>28.15</b>	
31	<b>R03M7184</b>	03M7184	Bolt - Carriage M8	4	<b>0.47</b>	
32	<b>R22H1004</b>	19H3003	Screw - Set 1/4-28 x 1/2	4	<b>1.25</b>	
33	<b>R3219-1</b>	14H860	Nut - 1/4-28	4	<b>0.13</b>	
34	<b>RAMT5112</b>	AMT5112	Bracket - Roller RH Rear	1	<b>27.95</b>	
35	<b>RAMT5113</b>	AMT5113	Bracket - Roller LH Rear	1	<b>27.95</b>	
36	<b>R03M7307</b>	03M7307	Bolt - Carriage M10	2	<b>0.62</b>	
38	<b>R24H1307</b>	24H1307	Washer - Flat 13/32 x 1 x 1/16	2	<b>0.47</b>	
39	<b>R14M7517</b>	14M7517	Locknut - 10mm x 1.5 ESNA	2	<b>0.32</b>	
40	<b>R19M7383</b>	19M7383	Bolt - Rear Roller Adj 55 mm Long	2	<b>0.51</b>	
41	<b>R3245-35</b>	22H841	Screw - Set 1/4-28 x 1/4	1	<b>0.57</b>	
42	<b>RU45916</b>	14M7298, U45916	Locknut - 10-24 ESNA	1	<b>0.32</b>	
43	<b>RAET10139</b>	AET10139	Cable - Roller Scraper	1	<b>15.15</b>	
44	<b>RAET10111</b>	AET10111, AMT2876	Roller - Smooth Tubular Steel	1	<b>138.30</b>	
<i>Tech Note: This tubular steel roller uses greasable "water-pump" style bearings.:</i>						
45	<b>RAMT1060</b>	AMT1060	Roller - Smooth Tubular Steel	1	<b>138.30</b>	

All original equipment manufacturers names and part numbers are used for identification purposes only, and we are in no way implying that our products are original equipment parts. Prices subject to change without notice.



# Replaces John Deere 3235B Reel Mower Parts

Medium Verti-Cut Unit  
Verti-Cut Reel & Frame



Item No	R&R Part No.	OEM Part No.	Description	Qty Req	Price Each	Order Quantity
<i>Tech Note: This tubular steel roller uses greasable "water-pump" style bearings.:</i>						
46	<b>RMT6483</b>	MT6483	Nut - Adjusting Rear Roller	2	<b>14.85</b>	
47	<b>RET14592</b>	ET14592	Spring - Reel Bearing	1	<b>8.75</b>	
48	<b>R453011</b>	24M7096	Washer - Flat 3/8 SAE Y/Zinc	2	<b>0.11</b>	
49	<b>RAMT2261</b>	AMT2261	Kit - Bolt w/Clip	2	<b>24.15</b>	
50	<b>RMT6517</b>	MT6517	Label - Warning	2	<b>7.25</b>	
51	<b>R14M7296</b>	14M7296	Nut - 10mm x 1.5 Flanged	2	<b>0.54</b>	
52	<b>RAMT2608</b>	AMT2608	Shield - Verticut	1	<b>80.45</b>	
53	<b>R500534</b>		Bearing - with Cup	2	<b>11.80</b>	
54	<b>RAMT2574</b>	AMT2574	Frame - Verticut	1	<b>326.15</b>	
55	<b>RMT7294</b>	MT2647, MT7294	Housing - Reel	2	<b>63.25</b>	
56	<b>RAMT2704</b>	AMT2704, MT169	Strap - Verticut Shield	1	<b>24.55</b>	
57	<b>RMT6476</b>	MT6476	Counterweight	2	<b>83.75</b>	
58	<b>R19M8008</b>	19M8008	Bolt - Hex HD M8-1.25 x 35	6	<b>0.90</b>	
59	<b>R302-5</b>	JD7797, JD7842, JD7844	Fitting - Grease	4	<b>0.27</b>	
60	<b>R170714</b>	E14814	Fitting - Pressure Relief	2	<b>2.25</b>	
61	<b>RAET11038</b>	AET11038, AET11039, AT11038	Coupler - V-Cut 8 Tooth	1	<b>41.95</b>	

All original equipment manufacturers names and part numbers are used for identification purposes only, and we are in no way implying that our products are original equipment parts. Prices subject to change without notice.