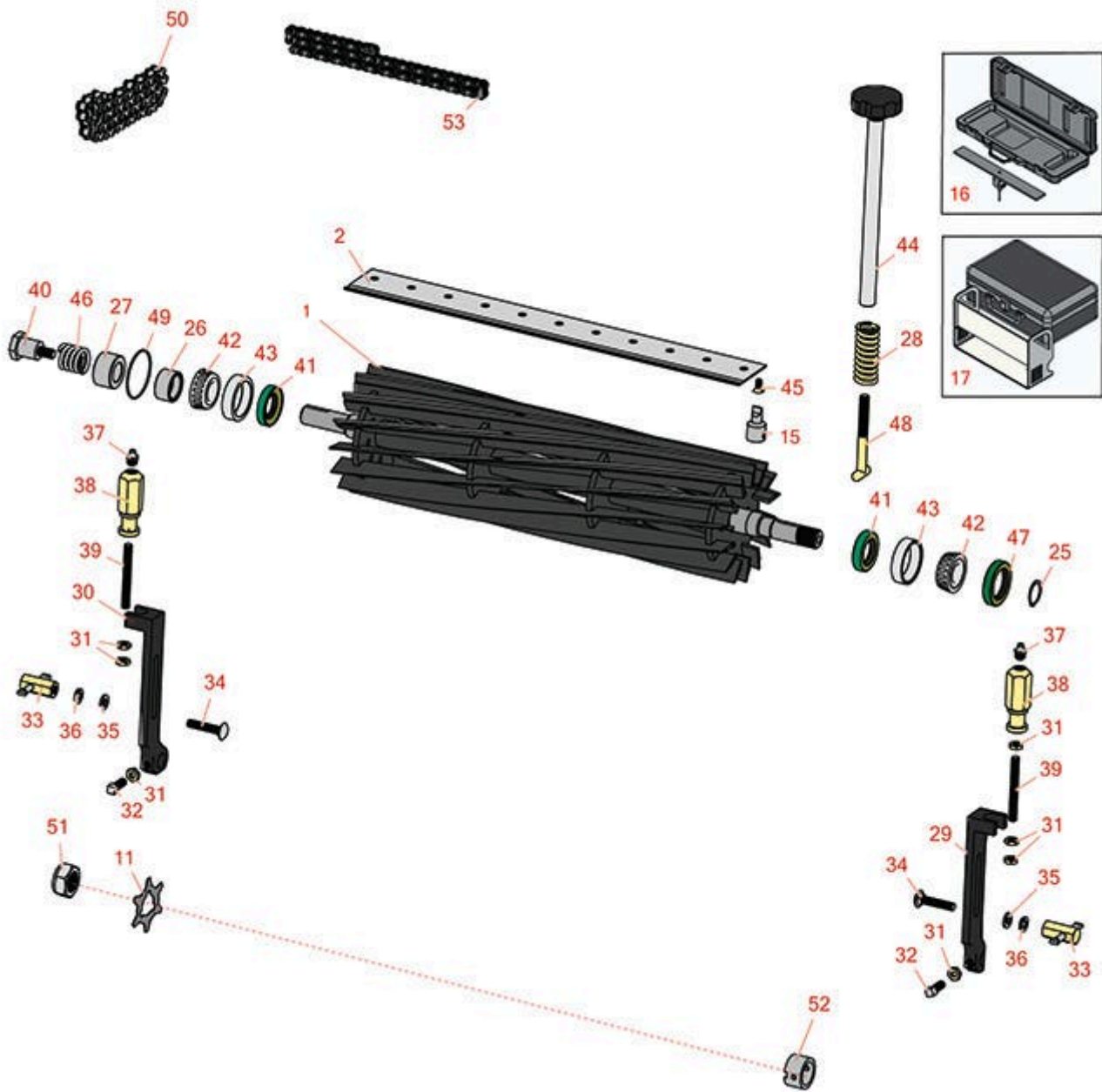




# Replaces John Deere 180B Walk-Behind Greens Mower Parts

Cutting Unit  
Reel & Bedknife



All original equipment manufacturers names and part numbers are used for identification purposes only, and we are in no way implying that our products are original equipment parts. Prices subject to change without notice.



# Replaces John Deere 180B Walk-Behind Greens Mower Parts

Cutting Unit  
Reel & Bedknife



Item No	R&R Part No.	OEM Part No.	Description	Qty Req	Price Each	Order Quantity
---------	--------------	--------------	-------------	---------	------------	----------------

## R&R Reels, Lifetime Guaranteed

1	<b>RAMT2715</b>	AMT2715, AMT2904	Reel - 11 Blade 18in	1	<b>299.70</b>	
1	<b>R130235</b>		Reel - 14 Blade	1	<b>432.50</b>	

## R&R Bedknives, Lifetime Guaranteed

2	<b>R130110</b>		Bedknife - Micro Cut	1	<b>50.85</b>	
2	<b>RMT6944</b>	MT6944, MT7350, UC19156	Bedknife - Low Cut Min HOC .079	1	<b>46.65</b>	
2	<b>RMT4846</b>	MT4846, MT4906, UC18877	Bedknife - Tournament	1	<b>47.20</b>	

## Blades

11	<b>RET14707</b>	ET14707	Verti-Cut Blade - .025 x 2.375	88	<b>1.45</b>	
11	<b>RET14707C</b>		Verti-Cut Blade - .025 x 2.375 Carbide Tipped	88	<b>6.85</b>	

## Service Tools

15	<b>R101278T</b>		Bedknife Screw Driver Tool	0	<b>35.65</b>	
----	-----------------	--	----------------------------	---	--------------	--

*Tech Note: Easily install and remove bed knife screws with the help of a ratchet. Tool manufactured with hardened alloy steel.:*

16	<b>R184</b>		Masters Gauge - Digital - Inches/Metric	0	<b>203.85</b>	
16	<b>R175</b>		Masters Gauge - Inches	0	<b>163.25</b>	
17	<b>RP508</b>		Height of Cut Prism Gauge	0	<b>310.60</b>	

## Other Parts Available

25	<b>R40M7080</b>	40M7080, ET11059	Ring - Snap	1	<b>0.40</b>	
----	-----------------	---------------------	-------------	---	-------------	--

All original equipment manufacturers names and part numbers are used for identification purposes only, and we are in no way implying that our products are original equipment parts. Prices subject to change without notice.



# Replaces John Deere 180B Walk-Behind Greens Mower Parts

*Cutting Unit  
Reel & Bedknife*



Item No	R&R Part No.	OEM Part No.	Description	Qty Req	Price Each	Order Quantity
26	<b>RET11368</b>	ET11368	Spacer	1	<b>14.25</b>	
27	<b>RET11464</b>	ET11464	Spacer	1	<b>14.25</b>	
28	<b>RET11070</b>	ET11070	Spring - Bed Bar	2	<b>6.80</b>	
29	<b>RMT5244</b>	MT5244	Bracket - Roller LH	1	<b>72.05</b>	
30	<b>RMT5245</b>	MT5245	Bracket - Roller RH	1	<b>72.05</b>	
31	<b>R14M7151</b>	14M7151	Nut - Jam Roller Adj	2	<b>0.70</b>	
32	<b>RA50744</b>	A50744	Screw - 8mm-1.25 x 25 Sq HD	2	<b>1.25</b>	
32	<b>R19M7881</b>	19M7881	Bolt - Hex HD M8-1.25 x 20	2	<b>1.30</b>	
33	<b>RET11356</b>	ET11356	Nut - Adjusting	2	<b>15.10</b>	
34	<b>R03M7186</b>	03M7186	Bolt - Carriage 8-1.25 x 30mm	2	<b>1.85</b>	
35	<b>R24M7036</b>	24M7036	Washer - Flat 8mm Zinc	2	<b>0.23</b>	
36	<b>R12M7065</b>	12M7065	Washer - Lock 8mm Zinc	2	<b>0.23</b>	
37	<b>R471219</b>	471219, JD7759, JD7798	Zerk - Grease	2	<b>0.41</b>	
38	<b>RMT1087</b>	MT1087	Knob - Adjusting Roller	2	<b>21.75</b>	
39	<b>RMT1088</b>	MT1088	Stud - Roller Adj.	2	<b>7.40</b>	
40	<b>RET11367</b>	ET11367	Cap Screw - Special	1	<b>7.65</b>	
41	<b>RMT1160</b>	MT1160	Seal - Reel	2	<b>8.10</b>	
42	<b>RAMT1108</b>	AMT1108	Tapered Bearing Cone	2	<b>12.95</b>	
43	<b>RMT2108</b>	MT2108	Tapered Bearing Cup	2	<b>6.80</b>	
44	<b>RAMT2798</b>	AMT2798	Handle - Adjuster	2	<b>22.45</b>	
45	<b>R101278</b>	21M7194	Screw - Bedknife	11	<b>0.39</b>	

All original equipment manufacturers names and part numbers are used for identification purposes only, and we are in no way implying that our products are original equipment parts. Prices subject to change without notice.



# Replaces John Deere 180B Walk-Behind Greens Mower Parts

*Cutting Unit  
Reel & Bedknife*



Item No	R&R Part No.	OEM Part No.	Description	Qty Req	Price Each	Order Quantity
46	<b>RET11053</b>	ET11053	Spring - Reel	2	<b>5.45</b>	
47	<b>RET11073</b>	ET11073	Seal - Reel Outer	1	<b>7.45</b>	
48	<b>RET11372</b>	ET11372	Bolt - Adjusting Bed Bar	2	<b>9.95</b>	
49	<b>RM44162</b>	M44162	O-Ring - Reel	1	<b>1.25</b>	
50	<b>RTCA16595</b>	TCA16595	Chain - Rear Roller	1	<b>18.80</b>	
50	<b>RAMT2778</b>	AMT2778	Chain - Rear Roller	1	<b>18.80</b>	
51	<b>RN198341</b>	N198341	Nut - Nyloc 7/8-14	1	<b>13.60</b>	
52	<b>RET14917</b>	ET14917	Spacer	1	<b>14.95</b>	
53	<b>RTCA16596</b>	TCA16596	Roller Chain #35	1	<b>20.65</b>	

All original equipment manufacturers names and part numbers are used for identification purposes only, and we are in no way implying that our products are original equipment parts. Prices subject to change without notice.