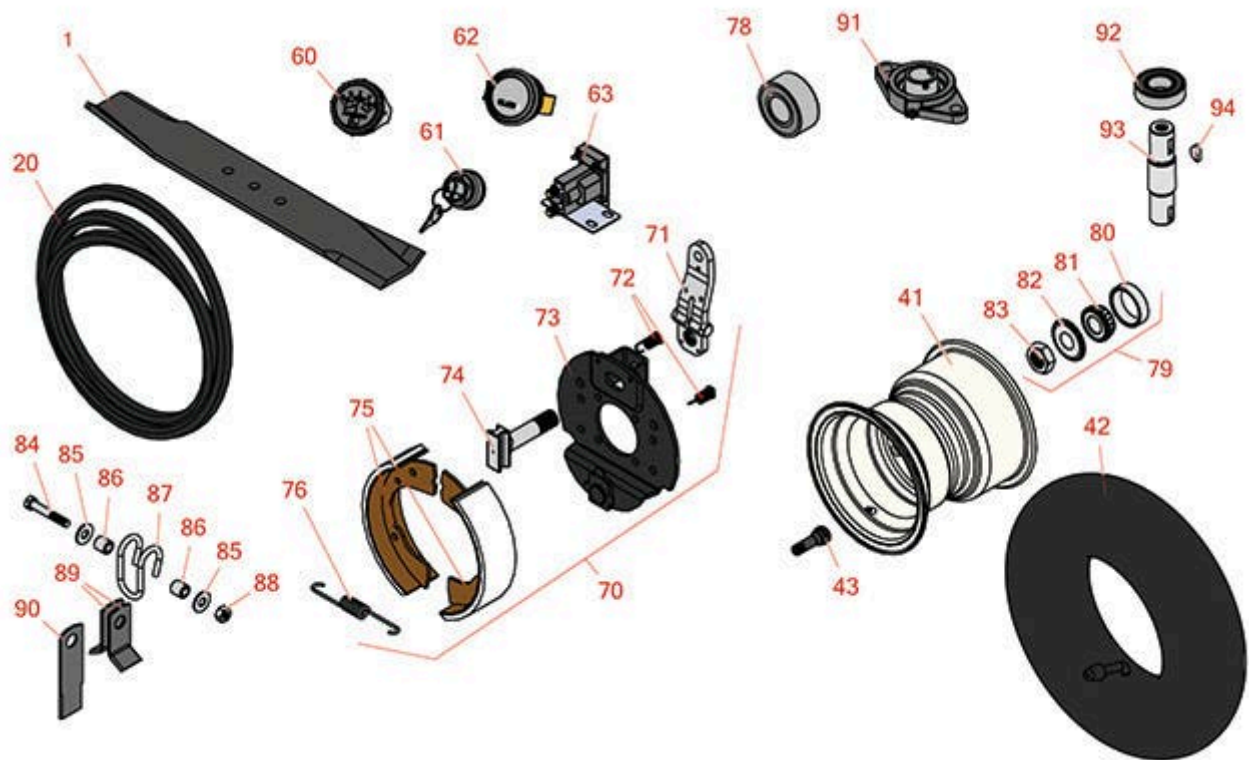




Replaces Jacobsen Turfcut 50 & 60 Parts

Rotary Mower
Rotary Parts



All original equipment manufacturers names and part numbers are used for identification purposes only, and we are in no way implying that our products are original equipment parts. Prices subject to change without notice.



Replaces Jacobsen Turfcut 50 & 60 Parts

Rotary Mower

Rotary Parts



Item No	R&R Part No.	OEM Part No.	Description	Qty Req	Price Each	Order Quantity
---------	--------------	--------------	-------------	---------	------------	----------------

Rotary Blades

1	R390513	390513	Mower Blade - Fits 50	3	23.25	
---	----------------	--------	-----------------------	---	--------------	--

Tech Note: Outside Holes 2-7/8" on center:

Belts

20	R101400	395124	Belt - 50 Deck	1	72.25	
----	----------------	--------	----------------	---	--------------	--

20	R101405	390264	Belt - 60 Deck	1	89.75	
----	----------------	--------	----------------	---	--------------	--

41	R121704	121704	Wheel - with Valve Stem	2	47.60	
----	----------------	--------	-------------------------	---	--------------	--

42	R700141		Tube - 18x6.50/7.50/8.50/9.50-8 TR13	2	10.30	
----	----------------	--	--------------------------------------	---	--------------	--

43	R232-24	341680, 363233	Stem - Valve w/ Cap	4	3.25	
----	----------------	-------------------	---------------------	---	-------------	--

Gauges & Controls

60	R33-0990	107917	Meter - Amp	1	10.30	
----	-----------------	--------	-------------	---	--------------	--

61	R12-8140	129846	Switch - Key 5 Lead	1	19.95	
----	-----------------	--------	---------------------	---	--------------	--

62	R162723	162723, 358825	Meter - Hour	1	109.65	
----	----------------	-------------------	--------------	---	---------------	--

63	R131905	126070, 131905	Solenoid - Starter	1	29.05	
----	----------------	-------------------	--------------------	---	--------------	--

Other Parts Available

70	R501307	501307	Brake Assy	0	176.40	
----	----------------	--------	------------	---	---------------	--

Tech Note: Includes: 2ea: R353868 Spring; 1 ea: R130191 Plate, R353869 Spring, R501150 Shoes, R546516 Camshaft & R554526 Lever:

71	R554526	501151, 554526	Lever - Brake	2	42.85	
----	----------------	-------------------	---------------	---	--------------	--

72	R353868	353868	Spring - Shoe Hold Down	4	3.05	
----	----------------	--------	-------------------------	---	-------------	--

All original equipment manufacturers names and part numbers are used for identification purposes only, and we are in no way implying that our products are original equipment parts. Prices subject to change without notice.



Replaces Jacobsen Turfcut 50 & 60 Parts

Rotary Mower

Rotary Parts



Item No	R&R Part No.	OEM Part No.	Description	Qty Req	Price Each	Order Quantity
73	R130191	130191	Plate - Brake Support	1	93.65	
74	R546516	546516	Camshaft - Brake	2	56.20	
75	R501150	501150	Shoe - Brake Set / 2	2	43.95	
76	R353869	353869, 555714	Spring - Shoe Return	2	7.15	
78	R362000	362000	Bearing - Drive Pulley	1	75.55	
79	R500533	500533	Bearing - w/Cup and Ring	2	14.95	
80	R254-79	254-79, 4121175	Cup - Bearing	2	3.20	
<i>Tech Note: Use R254-79M installation mandrel to properly install race.:</i>						
81	R254-78	254-78, 385174, 4121174, 4135152	Tapered Bearing Cone	2	6.05	
82	R311957	311957	Ring - Nilos	2	3.55	
83	R444742	444742	Nut - 3/4-16 Gripco Centerlock	1	2.30	
84	R400234	400234	Bolt - Hex HD 5/16-24 x 2 GR5	90	0.69	
85	R310266	310266, 452004, 452006, 452008	Washer - Flat 5/16 USS	180	0.23	
85	R453009	3256-23, 452004, 452006, 452008, 453009	Washer - Flat 5/16 SAE	180	0.13	
86	R362227	362227	Spacer - Flail Blade	180	2.15	
87	R362226	362226	Shackle	90	4.15	

All original equipment manufacturers names and part numbers are used for identification purposes only, and we are in no way implying that our products are original equipment parts. Prices subject to change without notice.



Replaces Jacobsen Turfcut 50 & 60 Parts

Rotary Mower

Rotary Parts



Item No	R&R Part No.	OEM Part No.	Description	Qty Req	Price Each	Order Quantity
88	R444754	444754	Locknut - 5/16-24 Center	90	0.43	
89	R337599	337599	Blade - Flail	180	1.10	
<i>Tech Note: 1-1/4" wide, 2-5/8" long with 9/16" mounting hole:</i>						
90	R337773	337773	Verti-Cut Blade	90	1.90	
<i>Tech Note: 4" long with 9/16" mounting hole:</i>						
91	R362230	362230	Bearing - Roller	2	59.10	
92	R345050	345050	Bearing	6	16.05	
<i>Tech Note: Use w/R339165 and R351430 Shaft:</i>						
92	R350759	350759	Bearing - Spindle	6	18.45	
<i>Tech Note: Use w/R337547 Shaft:</i>						
93	R351430	351430	Shaft - Spindle 50 Deck	3	53.65	
<i>Tech Note: 1 1/8 Dia Center x 4 3/4 long:</i>						
93	R337547	337547	Shaft - Spindle 50 Deck	3	60.95	
<i>Tech Note: 1 3/8 Dia Center x 4 3/4 long:</i>						
93	R339165	339165	Shaft - Spindle 60 Deck	3	52.50	
<i>Tech Note: 1 1/8 Dia Center x 4 1/2 long:</i>						
94	R463017	463017	Key - Woodruff	6	0.62	

All original equipment manufacturers names and part numbers are used for identification purposes only, and we are in no way implying that our products are original equipment parts. Prices subject to change without notice.