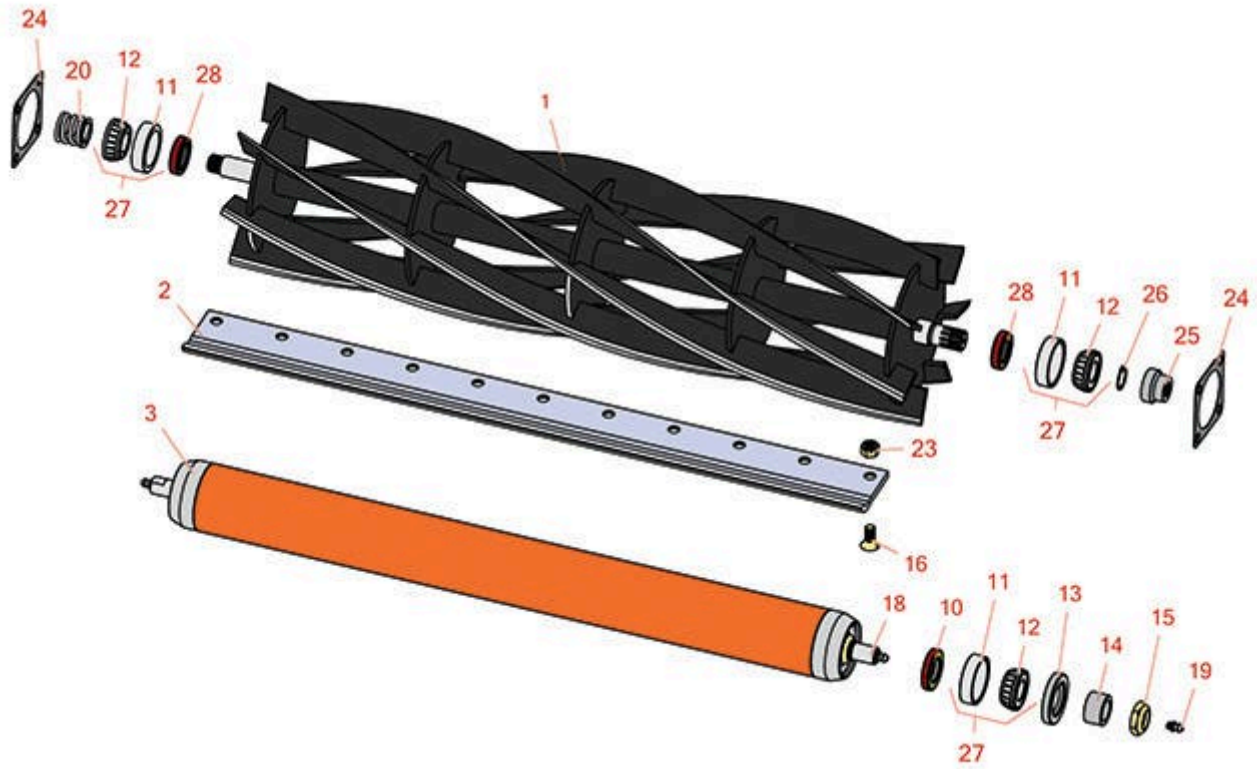




# Replaces Jacobsen Trim King Parts

Cutting Unit  
Reel & Bedknife



All original equipment manufacturers names and part numbers are used for identification purposes only, and we are in no way implying that our products are original equipment parts. Prices subject to change without notice.



# Replaces Jacobsen Trim King Parts

Cutting Unit  
Reel & Bedknife



Item No	R&R Part No.	OEM Part No.	Description	Qty Req	Price Each	Order Quantity
---------	--------------	--------------	-------------	---------	------------	----------------

### R&R Reels, Lifetime Guaranteed

1	<b>R101269</b>		Reel - 7 Blade LH	1	<b>351.20</b>	
1	<b>R502887</b>	502887	Reel - 5 Blade LH	1	<b>330.95</b>	
1	<b>R502888</b>	502888	Reel - 5 Blade RH/Center	1	<b>330.90</b>	

### R&R Bedknives, Lifetime Guaranteed

2	<b>R3000249</b>	3000249, 336419, 554284	Bedknife - 7/16 - 26 Inch	1	<b>49.20</b>	
---	-----------------	-------------------------------	---------------------------	---	--------------	--

### R&R Rollers

3	<b>R104120</b>	132874	Roller - Smooth Tubular Steel	1	<b>210.75</b>	
<i>Tech Note: Constructed with a through shaft, this heavy duty roller uses greasable tapered bearings for extended life.:</i>						

3	<b>R104125</b>	116940, 131863, 132639	Roller - Smooth Tubular Steel	0	<b>211.10</b>	
<i>Tech Note: Constructed with a through shaft, this heavy duty roller uses greasable tapered bearings for extended life.:</i>						

### Other Parts Available

10	<b>R253-152</b>	3001656	Seal - Inner Roller	2	<b>3.55</b>	
11	<b>R254-79</b>	254-79, 4121175	Cup - Bearing	2	<b>3.20</b>	
<i>Tech Note: Use R254-79M installation mandrel to properly install race.:</i>						
12	<b>R254-78</b>	254-78, 385174, 4121174, 4135152	Tapered Bearing Cone	2	<b>6.05</b>	
13	<b>R253-117</b>	253-117, 3004882	Seal - Outer Triple Lip	2	<b>4.20</b>	
14	<b>R5-4038</b>	5-4038	Sleeve - Wear Reel Shaft	2	<b>11.30</b>	

All original equipment manufacturers names and part numbers are used for identification purposes only, and we are in no way implying that our products are original equipment parts. Prices subject to change without notice.



# Replaces Jacobsen Trim King Parts

Cutting Unit  
Reel & Bedknife



Item No	R&R Part No.	OEM Part No.	Description	Qty Req	Price Each	Order Quantity
15	<b>R3296-15</b>	3296-15, 367029, 444742	Locknut - 3/4-16 Nylon Jam	2	<b>2.15</b>	
16	<b>R101270</b>	402698, 403757	Screw - Bedknife 3/8-24 x 13/16	11	<b>0.54</b>	
18	<b>R104104</b>		Shaft - Solid Roller	1	<b>55.40</b>	
19	<b>R302-5</b>	302-5, 471214, 471223, 471226	Fitting - Grease	2	<b>0.27</b>	
20	<b>R363047</b>	348846, 363047	Spring - Reel	1	<b>4.95</b>	
23	<b>R101271</b>	445684	Nut - Bedknife	11	<b>0.54</b>	
24	<b>R345473</b>	345473	Gasket - Reel Motor	1	<b>0.72</b>	
25	<b>R4247911</b>	162567, 337370, 4247911	Coupling - Hyd Motor - Glass Filled	1	<b>5.85</b>	
26	<b>R458013</b>	458013	Ring - Retaining	1	<b>0.54</b>	
27	<b>R500534</b>	500534, R500534	Bearing - with Cup	2	<b>11.80</b>	
28	<b>R336962</b>	336962	Seal	2	<b>5.85</b>	

All original equipment manufacturers names and part numbers are used for identification purposes only, and we are in no way implying that our products are original equipment parts. Prices subject to change without notice.