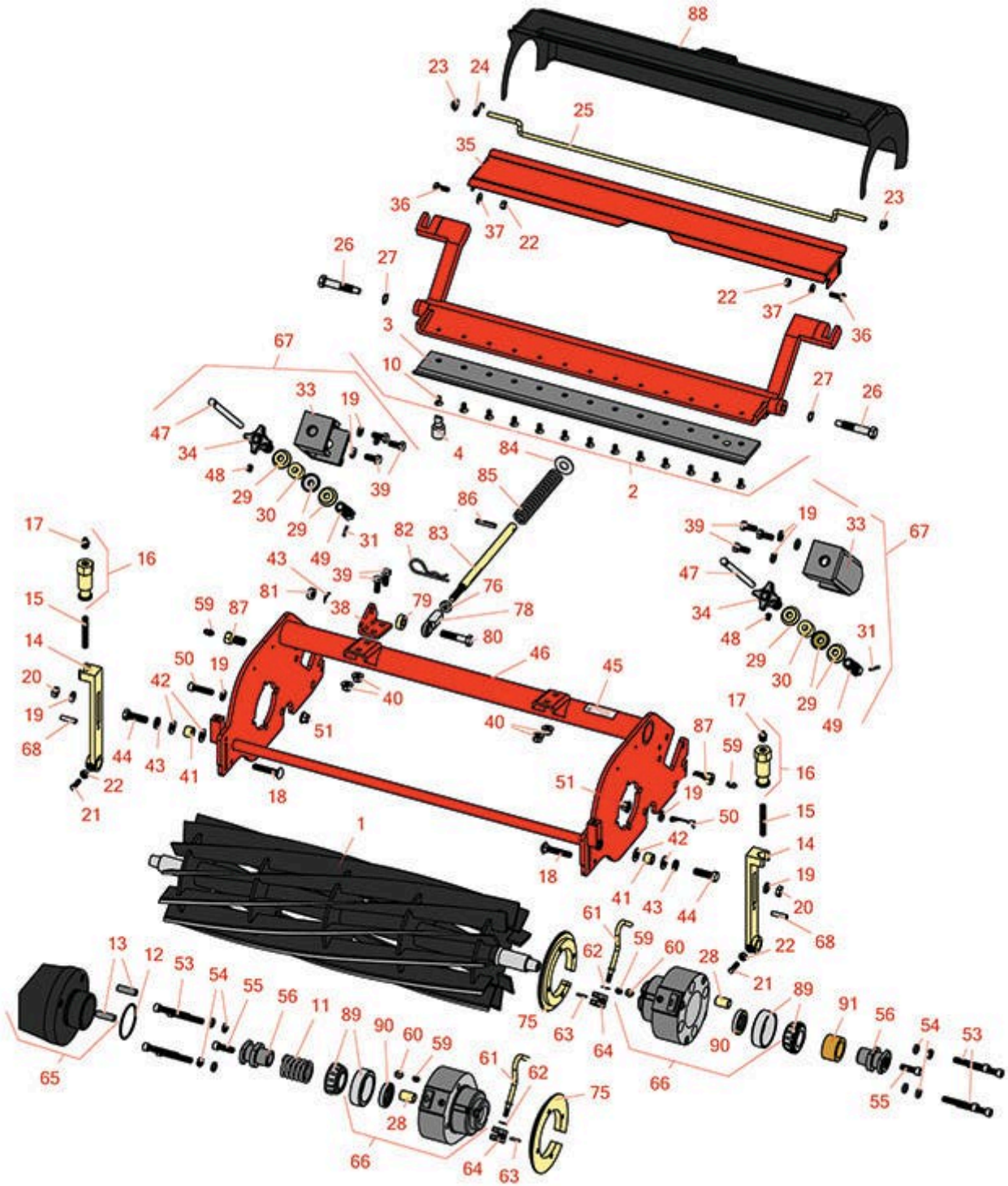




Replaces Jacobsen LF-570 Parts

7" Cutting Unit
Reel & Bedknife



All original equipment manufacturers names and part numbers are used for identification purposes only, and we are in no way implying that our products are original equipment parts. Prices subject to change without notice.



Replaces Jacobsen LF-570 Parts

7" Cutting Unit
Reel & Bedknife



Item No	R&R Part No.	OEM Part No.	Description	Qty Req	Price Each	Order Quantity
---------	--------------	--------------	-------------	---------	------------	----------------

R&R Reels, Lifetime Guaranteed

1	R101329		Reel - 7 Blade	1	300.15	
1	R5002476	5002476	Reel - 9 Blade	1	318.65	
1	R2810471	2810471	Reel - 9 Blade	1	318.65	
1	R5002762	2810472, 5002762	Reel - 11 Blade	1	351.60	

R&R Bedknives, Lifetime Guaranteed

2	R1002556	1002556	Bedknife/Bedbar Assy	1	275.35	
<i>Tech Note: w/ R503257 Bedknife:</i>						
2	R1003934	1003934	Bedknife/Bedbar Assy	1	280.45	
<i>Tech Note: W/ R5003150 Bedknife:</i>						
3	R5003150	5003150	Bedknife - Low Cut	1	51.40	
3	R503460	503257, 503460	Bedknife - 22 in 13 Hole	1	45.50	

R&R Razor Tool Steel Bedknives, Lifetime Guaranteed

3	R101523		Bedknife - Razor Tool Steel - 22 High Cut	1	101.60	
---	---------	--	---	---	--------	--

Service Tools

4	R101272T		Bedknife Screw Driver Tool	0	35.65	
<i>Tech Note: Easily install and remove bed knife screws with the help of a ratchet. Tool manufactured with hardened alloy steel.:</i>						

Other Parts Available

10	R101272	101272, 3009138, 402578, 800813	Screw - Bedknife 1/4-20 x 1/2	13	0.35	
----	---------	--	-------------------------------	----	------	--

All original equipment manufacturers names and part numbers are used for identification purposes only, and we are in no way implying that our products are original equipment parts. Prices subject to change without notice.



Replaces Jacobsen LF-570 Parts

7" Cutting Unit
Reel & Bedknife



Item No	R&R Part No.	OEM Part No.	Description	Qty Req	Price Each	Order Quantity
11	R3004734	3004734	Spring - Compression	1	5.85	
12	R3006021	3006021	O-Ring	1	0.46	
13	R3006022	3006022	Pin - Hardened Counter Balance	2	3.05	
14	R3004738	3004738	Adjuster - Front Roller	2	53.65	
15	R343616	343616, 443102	Stud	2	7.50	
16	R365009	3005692, 365009, 365170, 441674	Knob - Adjusting Roller	2	19.40	
17	R471219	366852, 471219	Zerk - Grease	2	0.41	
18	R441674	441674	Screw - 5/16-18 x 1-3/4 Carriage	2	0.70	
19	R446136	446134, 446136	Washer - Lock 5/16 Zinc	2	0.14	
20	R443106	443106	Nut - 5/16-18 Y/Zinc Plated	2	0.19	
21	R352737	352737	Screw - Set 1/4 x 7/8 Sq Head	2	0.69	
22	R443102	443102	Nut - 1/4-20 Yellow Zinc	4	0.22	
23	R445525	445525	Nut - 1/4 Pal	2	0.36	
24	R3009281	3009281	Spring - Torsion 22 Roller	1	4.20	
25	R3009280	3009280	Scraper - 22 Rear Roller (Rod)	1	9.70	
26	R347169	347169, 365501	Stud - Backing RH 2-5/16	2	30.95	
27	R454017	454017	Shim - Bed Bar Bolt	2	2.90	
28	R545940	2500759, 545940	Bushing	2	8.05	

All original equipment manufacturers names and part numbers are used for identification purposes only, and we are in no way implying that our products are original equipment parts. Prices subject to change without notice.



Replaces Jacobsen LF-570 Parts

7" Cutting Unit
Reel & Bedknife



Item No	R&R Part No.	OEM Part No.	Description	Qty Req	Price Each	Order Quantity
29	R3009892	3009075, 3009892	Spacer - Cup	6	6.05	
30	R3010470	3008946, 3010470	Spring - Urethane	2	6.80	
31	R460026	460026	Pin - Cotter 1/8 x 3/4	2	0.26	
33	R3004795	3004795	Housing - Bed Knife Adj	1	74.45	
34	R2000125	2000125, 2000215	Knob, Bedknife Adj.	2	62.40	
35	R3006248	3006248	Deflector	1	25.45	
36	R321-4	321-4, 400108	Bolt - Hex HD 1/4-20 x 3/4	2	0.52	
37	R453023	453023	Washer - Flat 1/4	2	0.12	
38	R3008601	3008601	Bracket - Spring Holddown	1	8.95	
39	R400184	400184, 400194	Screw - 5/16-18 x 3/4 Hex	2	0.62	
40	R445722	445722	Nut - Serrated Washer	2	0.66	
41	R3006290	3006290	Spacer - Hardened	2	6.55	
42	R453011	453011	Washer - Flat 3/8 SAE Y/Zinc	4	0.11	
43	R3254-6	3254-6, 446140, 446142	Washer - Lock 3/8	2	0.08	
44	R400264	400264	Bolt - Hex HD 3/8-16 x 1-1/4	2	0.40	
45	R354083	354083, 361877, 4127335	Decal - Danger	2	1.25	
46	R5002609	5002609	Frame	1	360.95	
47	R3010472	3004798, 3010472	Rod - Bedknife Adj	2	8.45	

All original equipment manufacturers names and part numbers are used for identification purposes only, and we are in no way implying that our products are original equipment parts. Prices subject to change without notice.



Replaces Jacobsen LF-570 Parts

7" Cutting Unit
Reel & Bedknife



Item No	R&R Part No.	OEM Part No.	Description	Qty Req	Price Each	Order Quantity
48	R422511	422511	Screw - Set w/Nylon Plug	2	4.25	
49	R3010471	3004799, 3009894, 3010471	Bolt - Special	2	16.60	
50	R434036	434036	Screw - Soc HD 5/16-18 x 1-1/4	2	2.35	
51	R445795	445795	Nut - 5/16-18 Flanged	2	0.26	
53	R434049	434049	Bolt - Soc HD Cap 5/16-18 x 2	8	0.83	
54	R362643	362643	Spacer - Brg Housing	8	2.75	
55	R434004	434003, 434004	Screw - Soc HD 5/16-18 x 1	2	1.85	
56	R4166860	3004737, 3010046, 4166860	Coupler	2	64.80	
59	R302-5	302-5, 471214, 471223, 471226	Fitting - Grease	2	0.27	
60	R170714	170714, 471240, 471242	Fitting - Pressure Relief	2	2.25	
61	R3006028	3006028	Rod	2	9.80	
62	R455066	455066	Washer - M6 Flat	2	0.18	
63	R012419	461357, 461359	Pin - Roll 1/8 x 3/4	2	0.28	
64	R4130092	4130092	Block - Clamp	2	15.25	
65	R2000135	2000135	Casting - Weight - Counter Balance	1	86.35	
66	R1002811	1002811	Bearing Housing Assy	2	248.70	
67	R1002532	1002532	Adjusting Assy - Bedknife	2	183.80	

All original equipment manufacturers names and part numbers are used for identification purposes only, and we are in no way implying that our products are original equipment parts. Prices subject to change without notice.



Replaces Jacobsen LF-570 Parts

7" Cutting Unit
Reel & Bedknife



Item No	R&R Part No.	OEM Part No.	Description	Qty Req	Price Each	Order Quantity
68	R461256	461256	Pin - 1/4 x 1	2	0.70	
75	R3005210	3005210	Ring - Retaining	1	38.95	
76	R443110	306562, 443110, 444762	Nut - 3/8-16 Hex	1	0.14	
78	R366974	366974	Bearing - Rod End	1	21.75	
79	R352435	352435	Spacer	1	3.15	
80	R400266	400266	Bolt - Hex HD 3/8-16 x 1-1/2	1	0.66	
80	R400268	400268	Bolt - Hex HD 3/8-16 x 1-3/4	1	0.78	
81	R3219-3	3219-3, 443112, 443812	Nut - 3/8-24	1	0.34	
82	R460312	460312	Pin - Hair Cotter	1	0.69	
83	R3008593	3008593	Shaft - Down Pressure	1	22.15	
84	R453017	452012, 453017	Washer - Flat 1/2	1	0.28	
85	R311870	311870	Spring - Compression	1	8.75	
86	R461397	461397	Pin - Roll 1/4 x 1-1/4	1	0.70	
87	R345470	1002226, 345470	Bolt - Rear Roller 7/16-20	2	6.90	
<i>Tech Note: Incl. Grease Zerk:</i>						
88	R3005209	3005209	Shield - Grass	1	66.85	
89	R5002477	5002477	Bearing - w/Cup	2	39.55	
90	R3006030	3006030	Seal	2	4.65	
91	R3004800	3004800	Spacer - Hardened Reel	1	9.95	

All original equipment manufacturers names and part numbers are used for identification purposes only, and we are in no way implying that our products are original equipment parts. Prices subject to change without notice.