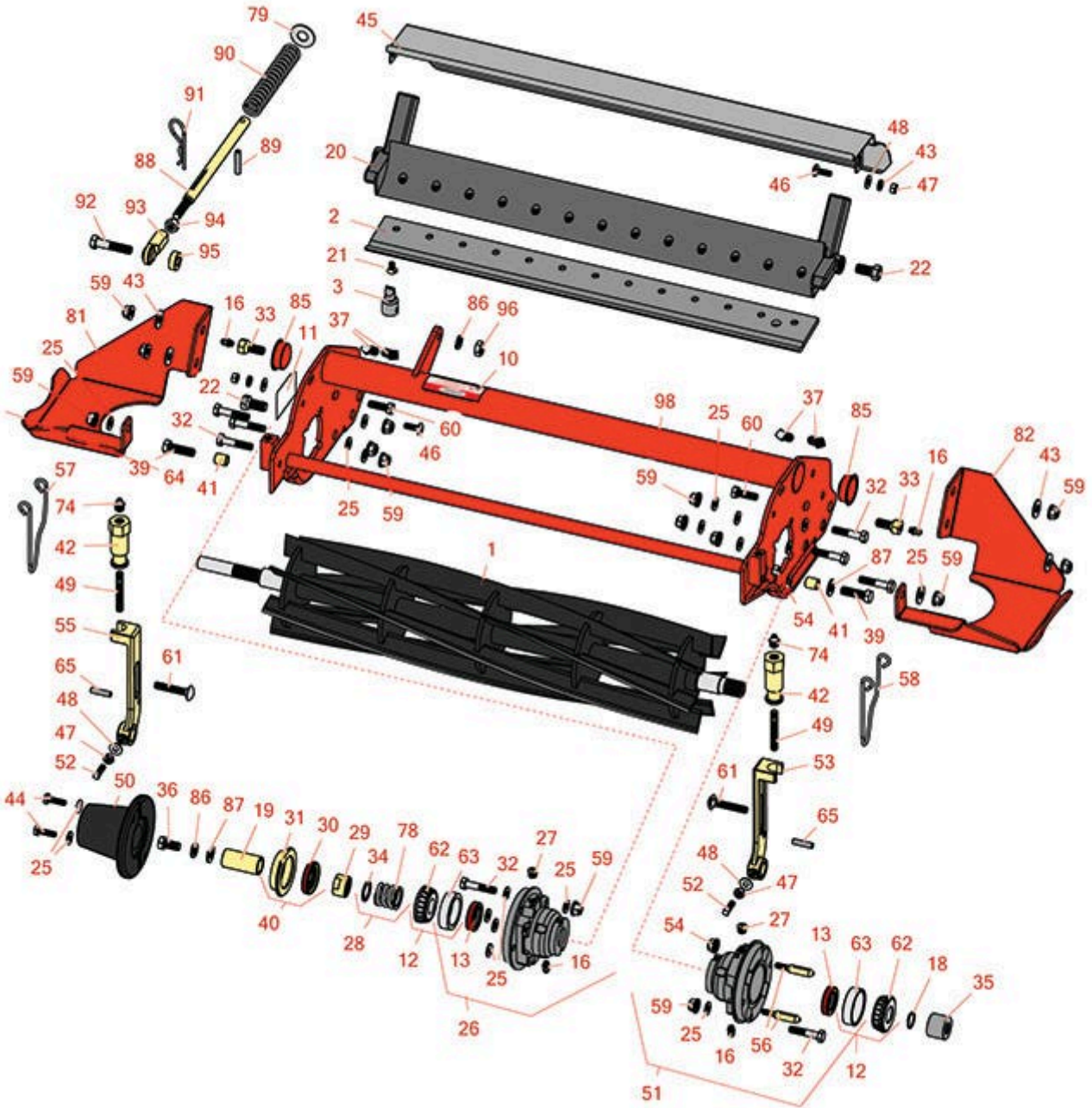




Replaces Jacobsen LF-3407 Parts

5" Cutting Unit
Reel & Bedknife



All original equipment manufacturers names and part numbers are used for identification purposes only, and we are in no way implying that our products are original equipment parts. Prices subject to change without notice.



Replaces Jacobsen LF-3407 Parts

5" Cutting Unit
Reel & Bedknife



Item No	R&R Part No.	OEM Part No.	Description	Qty Req	Price Each	Order Quantity
---------	--------------	--------------	-------------	---------	------------	----------------

R&R Reels, Lifetime Guaranteed

1	R503319	5001095, 5003053, 503319	Reel - 7 Blade LH	1	267.60	
1	R503320	5001096, 5003054, 5003064, 503320	Reel - 7 Blade RH	1	267.60	

R&R Bedknives, Lifetime Guaranteed

2	R5003150	5003150	Bedknife - Low Cut	1	51.40	
2	R503460	503257, 503460	Bedknife - 22 in 13 Hole	1	45.50	

R&R Razor Tool Steel Bedknives, Lifetime Guaranteed

2	R101523		Bedknife - Razor Tool Steel - 22 High Cut	1	101.60	
---	----------------	--	---	---	---------------	--

Service Tools

3	R101272T		Bedknife Screw Driver Tool	0	35.65	
---	-----------------	--	----------------------------	---	--------------	--

Tech Note: Easily install and remove bed knife screws with the help of a ratchet. Tool manufactured with hardened alloy steel.:

Other Parts Available

10	R354083	354083, 361877, 4127335	Decal - Danger	2	1.25	
11	R1000997	1000997	Decal - Warning	1	1.65	
12	R500534	500534, R500534	Bearing - with Cup	2	11.80	
13	R336962	336962	Seal	2	5.85	

All original equipment manufacturers names and part numbers are used for identification purposes only, and we are in no way implying that our products are original equipment parts. Prices subject to change without notice.



Replaces Jacobsen LF-3407 Parts

5" Cutting Unit
Reel & Bedknife



Item No	R&R Part No.	OEM Part No.	Description	Qty Req	Price Each	Order Quantity
16	R302-5	302-5, 471214, 471223, 471226	Fitting - Grease	2	0.27	
18	R458013	458013	Ring - Retaining	1	0.54	
19	R367164	367164	Spacer - Reel	1	5.40	
20	R220278	121856, 220278, 5000415	Backing Bar - Cast	1	196.25	
20	R2000068	2000068	Bed Bar	1	206.50	
21	R101272	101272, 3009138, 402578, 800813	Screw - Bedknife 1/4-20 x 1/2	13	0.35	
22	R315298	315298	Bolt - Bed Bar	2	2.45	
25	R453009	3256-23, 452004, 452006, 452008, 453009	Washer - Flat 5/16 SAE	1	0.13	
26	R164144	1000480, 163397, 164144, 2000060	Housing - Reel Bearing	1	92.25	
<i>Tech Note: Includes R336962 Seal, R302-5 Zerk, R170714 Relief Fitting & R254-79 Cup:</i>						
27	R170714	170714, 471240, 471242	Fitting - Pressure Relief	1	2.25	
28	R5002151	5002151	Hardware Kit - Spring/Washer	1	5.45	
<i>Tech Note: Includes 1 ea: R304745 Washer, R363047 Spring:</i>						
29	R364900	364900	Nut - Reel Tension	1	9.80	

All original equipment manufacturers names and part numbers are used for identification purposes only, and we are in no way implying that our products are original equipment parts. Prices subject to change without notice.



Replaces Jacobsen LF-3407 Parts

5" Cutting Unit
Reel & Bedknife



Item No	R&R Part No.	OEM Part No.	Description	Qty Req	Price Each	Order Quantity
30	R337677	315257, 337677	Seal - Oil	1	5.35	
31	R363814	163892, 363814	Spacer - Seal	1	9.50	
32	R400192	400192	Bolt - Hex HD 5/16-18 x 1-1/2	8	0.39	
33	R1002224	1002224	Bolt - Rear Roller 3/8-24	2	7.40	
<i>Tech Note: Incl Grease Zerk:</i>						
34	R304745	304745	Washer - Reel	1	0.70	
35	R3001720	3001720	Coupler - Iron - Hyd Motor	1	15.70	
36	R400294	400294	Screw - 3/8 24 x 3/4 Hex C/Zinc	1	1.40	
37	R412506	412503, 412506	Screw - Bed Bar Adjusting	4	2.45	
39	R400264	400264	Bolt - Hex HD 3/8-16 x 1-1/4	2	0.40	
40	R163398	163398, 163892	Seal - Spacer Assy	1	14.95	
41	R345510	345510	Spacer	2	3.55	
42	R365009	3005692, 365009, 365170, 441674	Knob - Adjusting Roller	2	19.40	
43	R3253-3	3253-3, 446128, 446130	Washer - Lock 1/4	4	0.11	
44	R321-5	321-5, 400110	Bolt - Hex HD 1/4-20 x 7/8	2	0.29	
45	R2810043	2810043	Shield - Grass	1	59.95	
46	R403782	400018, 403782	Screw - 1/4-20 x 3/4 Truss Head	2	0.46	

All original equipment manufacturers names and part numbers are used for identification purposes only, and we are in no way implying that our products are original equipment parts. Prices subject to change without notice.



Replaces Jacobsen LF-3407 Parts

5" Cutting Unit
Reel & Bedknife



Item No	R&R Part No.	OEM Part No.	Description	Qty Req	Price Each	Order Quantity
47	R443102	443102	Nut - 1/4-20 Yellow Zinc	4	0.22	
48	R453023	453023	Washer - Flat 1/4	4	0.12	
49	R343616	343616, 443102	Stud	2	7.50	
50	R2000065	2000065	Weight - Counter	1	27.10	
51	R1004786	1004786	Housing - Bearing Quick Clip	1	106.95	
<i>Tech Note: Includes: R336962, R302-5, R254-79, R3010296, R32152-4 & R170714:</i>						
52	R352737	352737	Screw - Set 1/4 x 7/8 Sq Head	2	0.69	
53	R153980	153980, 3008438	Bracket - Front Roller	1	44.95	
54	R32152-4	32152-4, 444708	Locknut - 1/4-20 All Metal	2	0.39	
55	R153979	153979, 3008439	Bracket - Front Roller	1	44.95	
56	R3010296	3010296	Pin - Motor Mounting	2	12.95	
57	R2810165	2810165, 2810166, 3010236, 3010636	Clip - Spring Motor	1	5.80	
58	R2810166	2810166, 3010637	Clip - Spring Motor	1	5.80	
59	R445795	445795	Nut - 5/16-18 Flanged	4	0.26	
60	R322-5	400188	Bolt - Hex HD 5/16-18 x 1	2	0.40	
61	R441674	441674	Screw - 5/16-18 x 1-3/4 Carriage	2	0.70	
62	R254-78	254-78, 385174, 4121174, 4135152	Tapered Bearing Cone	2	6.05	

All original equipment manufacturers names and part numbers are used for identification purposes only, and we are in no way implying that our products are original equipment parts. Prices subject to change without notice.



Replaces Jacobsen LF-3407 Parts

5" Cutting Unit
Reel & Bedknife



Item No	R&R Part No.	OEM Part No.	Description	Qty Req	Price Each	Order Quantity
63	R254-79	254-79, 4121175	Cup - Bearing	2	3.20	
<i>Tech Note: Use R254-79M installation mandrel to properly install race.:</i>						
65	R461256	461256	Pin - 1/4 x 1	2	0.70	
74	R471219	366852, 471219	Zerk - Grease	2	0.41	
78	R363047	348846, 363047	Spring - Reel	1	4.95	
79	R453017	452012, 453017	Washer - Flat 1/2	1	0.28	
81	R3008200	3008200	Skid - Motor RH Front Reel	1	26.05	
82	R3008199	3008199	Skid - Motor LH Front Reel	1	26.05	
85	R285-14		Plug - Pipe Frame	2	2.35	
86	R3254-6	3254-6, 446140, 446142	Washer - Lock 3/8	2	0.08	
87	R453011	453011	Washer - Flat 3/8 SAE Y/Zinc	2	0.11	
88	R3008593	3008593	Shaft - Down Pressure	1	22.15	
89	R461397	461397	Pin - Roll 1/4 x 1-1/4	1	0.70	
90	R311870	311870	Spring - Compression	1	8.75	
91	R460312	460312	Pin - Hair Cotter	1	0.69	
92	R400266	400266	Bolt - Hex HD 3/8-16 x 1-1/2	1	0.66	
92	R400268	400268	Bolt - Hex HD 3/8-16 x 1-3/4	1	0.78	
93	R366974	366974	Bearing - Rod End	1	21.75	
94	R3219-3	3219-3, 443112, 443812	Nut - 3/8-24	1	0.34	

All original equipment manufacturers names and part numbers are used for identification purposes only, and we are in no way implying that our products are original equipment parts. Prices subject to change without notice.



Replaces Jacobsen LF-3407 Parts

*5" Cutting Unit
Reel & Bedknife*



Item No	R&R Part No.	OEM Part No.	Description	Qty Req	Price Each	Order Quantity
95	R352435	352435	Spacer	1	3.15	
96	R443110	306562, 443110, 444762	Nut - 3/8-16 Hex	1	0.14	
98	R5003087	5003087	Frame - 5 Reel	1	303.40	

All original equipment manufacturers names and part numbers are used for identification purposes only, and we are in no way implying that our products are original equipment parts. Prices subject to change without notice.