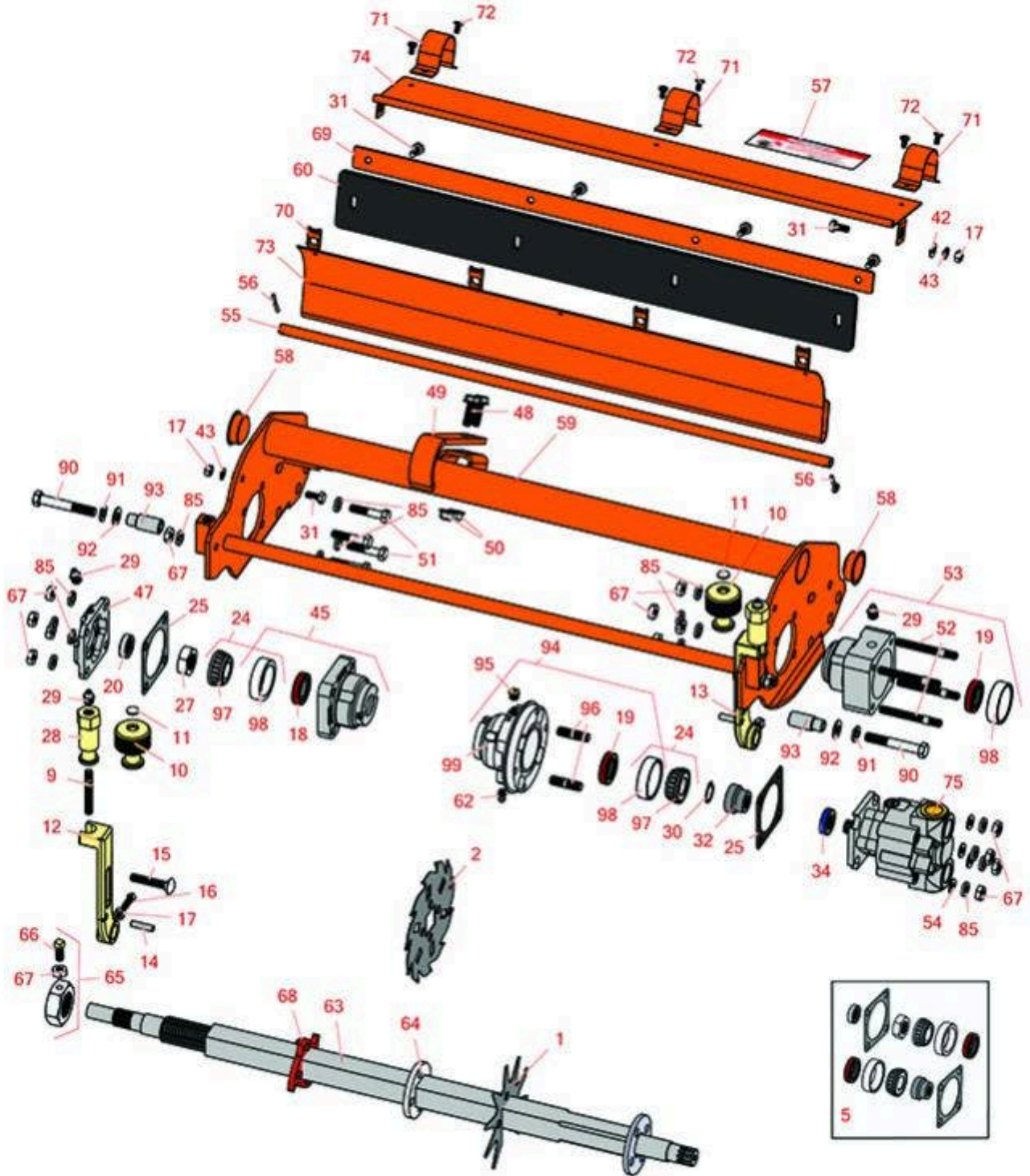




Replaces Jacobsen LF-100 Parts

Verti-Cut Unit

Verti-Cut Reel & Frame



All original equipment manufacturers names and part numbers are used for identification purposes only, and we are in no way implying that our products are original equipment parts. Prices subject to change without notice.



Replaces Jacobsen LF-100 Parts

Verti-Cut Unit

Verti-Cut Reel & Frame



Item No	R&R Part No.	OEM Part No.	Description	Qty Req	Price Each	Order Quantity
---------	--------------	--------------	-------------	---------	------------	----------------

Verti-Cut Blades

1	R335449	335449	Blade - Vertical Slotted	26	7.40	
2	R101109C		Verti-Cut Blade - Carbide Tipped 1mm	26	12.35	
2	R101209C		Verti-Cut Blade - Carbide Tipped 2mm	26	11.95	

Overhaul Kits

5	R506565		Overhaul Kit - Verti-Cut Unit	0	40.40	
---	----------------	--	-------------------------------	---	--------------	--

Tech Note: Includes: 2 ea.: R325472 Seal, R345473 Gasket, R254-78 Bearing, R254-79 cup; 1 ea.: R315257 Seal, R337370 Coupling, R458013 Ring, R444742 Nut:

Other Parts Available

9	R343616	343616, 443102	Stud	2	7.50	
10	R343617	343617	Knob - Adjusting	2	17.50	
11	R472518	472518	Plug - Adjusting Knob	2	0.54	
12	R153980	153980, 3008438	Bracket - Front Roller	1	44.95	
13	R153979	153979, 3008439	Bracket - Front Roller	1	44.95	
14	R461256	461256	Pin - 1/4 x 1	2	0.70	
15	R441674	441674	Screw - 5/16-18 x 1-3/4 Carriage	2	0.70	
16	R352737	352737	Screw - Set 1/4 x 7/8 Sq Head	2	0.69	
17	R443102	443102	Nut - 1/4-20 Yellow Zinc	4	0.22	
18	R325472	325472	Seal	2	5.05	
19	R336962	336962	Seal	2	5.85	
20	R315257	315257	Seal	1	6.30	

All original equipment manufacturers names and part numbers are used for identification purposes only, and we are in no way implying that our products are original equipment parts. Prices subject to change without notice.



Replaces Jacobsen LF-100 Parts

Verti-Cut Unit

Verti-Cut Reel & Frame



Item No	R&R Part No.	OEM Part No.	Description	Qty Req	Price Each	Order Quantity
24	R500534	500534, R500534	Bearing - with Cup	2	11.80	
25	R345473	345473	Gasket - Reel Motor	1	0.72	
27	R444742	444742	Nut - 3/4-16 Gripco Centerlock	1	2.30	
28	R365009	3005692, 365009, 365170, 441674	Knob - Adjusting Roller	2	19.40	
29	R471219	366852, 471219	Zerk - Grease	2	0.41	
30	R458013	458013	Ring - Retaining	1	0.54	
31	R400106	400106	Bolt - Hex HD 1/4-20 x 5/8	6	0.28	
32	R4247911	162567, 337370, 4247911	Coupling - Hyd Motor - Glass Filled	1	5.85	
34	R353-585		Seal - High Pressure - Reel Motor	1	19.20	
42	R453023	453023	Washer - Flat 1/4	2	0.12	
43	R3253-3	3253-3, 446128, 446130	Washer - Lock 1/4	2	0.11	
45	R239055	239055	Housing - Reel Bearing Short	1	44.30	
<i>Tech Note: Includes R336962 Seal & R254-79 Bearing Cup:</i>						
47	R269025	269025	Cap - Bearing Housing V-Cut	1	40.90	
48	R403751	403751	Bolt - Serrated Washer HD	2	1.30	
49	R354928	354928	Stop - Mower	1	14.55	
50	R445722	445722	Nut - Serrated Washer	2	0.66	
51	R400192	400192	Bolt - Hex HD 5/16-18 x 1-1/2	4	0.39	

All original equipment manufacturers names and part numbers are used for identification purposes only, and we are in no way implying that our products are original equipment parts. Prices subject to change without notice.



Replaces Jacobsen LF-100 Parts

Verti-Cut Unit

Verti-Cut Reel & Frame



Item No	R&R Part No.	OEM Part No.	Description	Qty Req	Price Each	Order Quantity
52	R361097	361097	Stud - Reel Brg Housing	4	6.80	
53	R162558	162558	Housing - Reel Bearing Tall	1	60.80	
<i>Tech Note: Includes: 4 ea: R361097 Stud; 1 ea: R254-79 Cup, R336962 Seal, R471219 Grease Fitting:</i>						
54	R453009	3256-23, 452004, 452006, 452008, 453009	Washer - Flat 5/16 SAE	4	0.13	
54	R310266	310266, 452004, 452006, 452008	Washer - Flat 5/16 USS	4	0.23	
55	R351521	351521	Rod - V-Cut Grass Shield	1	11.75	
56	R460026	460026	Pin - Cotter 1/8 x 3/4	2	0.26	
57	R354083	354083, 361877, 4127335	Decal - Danger	1	1.25	
58	R285-14		Plug - Pipe Frame	2	2.35	
59	R122685	119245, 122685, 503325	Frame	1	370.25	
60	R351522	351522	Scraper - Rubber V-Cut	1	12.90	
62	R302-5	302-5, 471214, 471223, 471226	Fitting - Grease	1	0.27	
63	R131161	131161	Shaft - 22 in Vertical Mower	1	184.70	
64	R352221	352221	Spacer - Nylon V-Cut Shaft	76	1.60	
65	R352437	352437	Nut - V-Cut Shaft	1	11.95	
66	R412017	412017	Screw - Sq. HD Set	1	1.25	

All original equipment manufacturers names and part numbers are used for identification purposes only, and we are in no way implying that our products are original equipment parts. Prices subject to change without notice.



Replaces Jacobsen LF-100 Parts

Verti-Cut Unit

Verti-Cut Reel & Frame



Item No	R&R Part No.	OEM Part No.	Description	Qty Req	Price Each	Order Quantity
67	R443106	443106	Nut - 5/16-18 Y/Zinc Plated	1	0.19	
69	R351526	351526	Retainer - Scraper	1	12.85	
70	R445260	445260	Nut - 1/4-20 Tinnerman	4	1.20	
71	R351520	351520	Clip - V-Cut Shield	3	6.05	
72	R409020	409020	Screw - NO.10 x 3/8 Slotted	6	0.24	
73	R335214	335214	Shield - Rear Grass	1	47.25	
74	R158823	158823	Shield - Front Grass V-Cut	1	53.30	
75	R122164	122164	Motor - Reel	3	490.55	
85	R446136	446134, 446136	Washer - Lock 5/16 Zinc	10	0.14	
90	R101526	101526	Bolt - Hex HD 3/8-16 x 2-1/2 GR5	2	0.91	
91	R3254-6	3254-6, 446140, 446142	Washer - Lock 3/8	2	0.08	
92	R453011	453011	Washer - Flat 3/8 SAE Y/Zinc	4	0.11	
93	R101525	101525	Spacer - Mower Mounting Assy	2	6.55	
94	R101328		Housing - Bearing Motor End	1	100.05	
<i>Tech Note: Includes R302-5,R336962, R170714, R101327 & Cup Portion of R500534. Housing has 2 studs, uses no bolts:</i>						
95	R170714	170714, 471240, 471242	Fitting - Pressure Relief	2	2.25	
96	R101327		Stud - Housing	2	4.20	

Tech Note: Fits R101328 Only:

All original equipment manufacturers names and part numbers are used for identification purposes only, and we are in no way implying that our products are original equipment parts. Prices subject to change without notice.



Replaces Jacobsen LF-100 Parts

Verti-Cut Unit

Verti-Cut Reel & Frame



Item No	R&R Part No.	OEM Part No.	Description	Qty Req	Price Each	Order Quantity
97	R254-78	254-78, 385174, 4121174, 4135152	Tapered Bearing Cone	2	6.05	
98	R254-79	254-79, 4121175	Cup - Bearing	2	3.20	
<i>Tech Note: Use R254-79M installation mandrel to properly install race.:</i>						
99	R164146	163679, 164146	Housing - Reel Bearing - Motor End	1	100.05	
<i>Tech Note: Includes: 1 ea: R170714 Fitting, R254-79 Cup, R302-5 Fitting & R336962 Seal:</i>						

All original equipment manufacturers names and part numbers are used for identification purposes only, and we are in no way implying that our products are original equipment parts. Prices subject to change without notice.