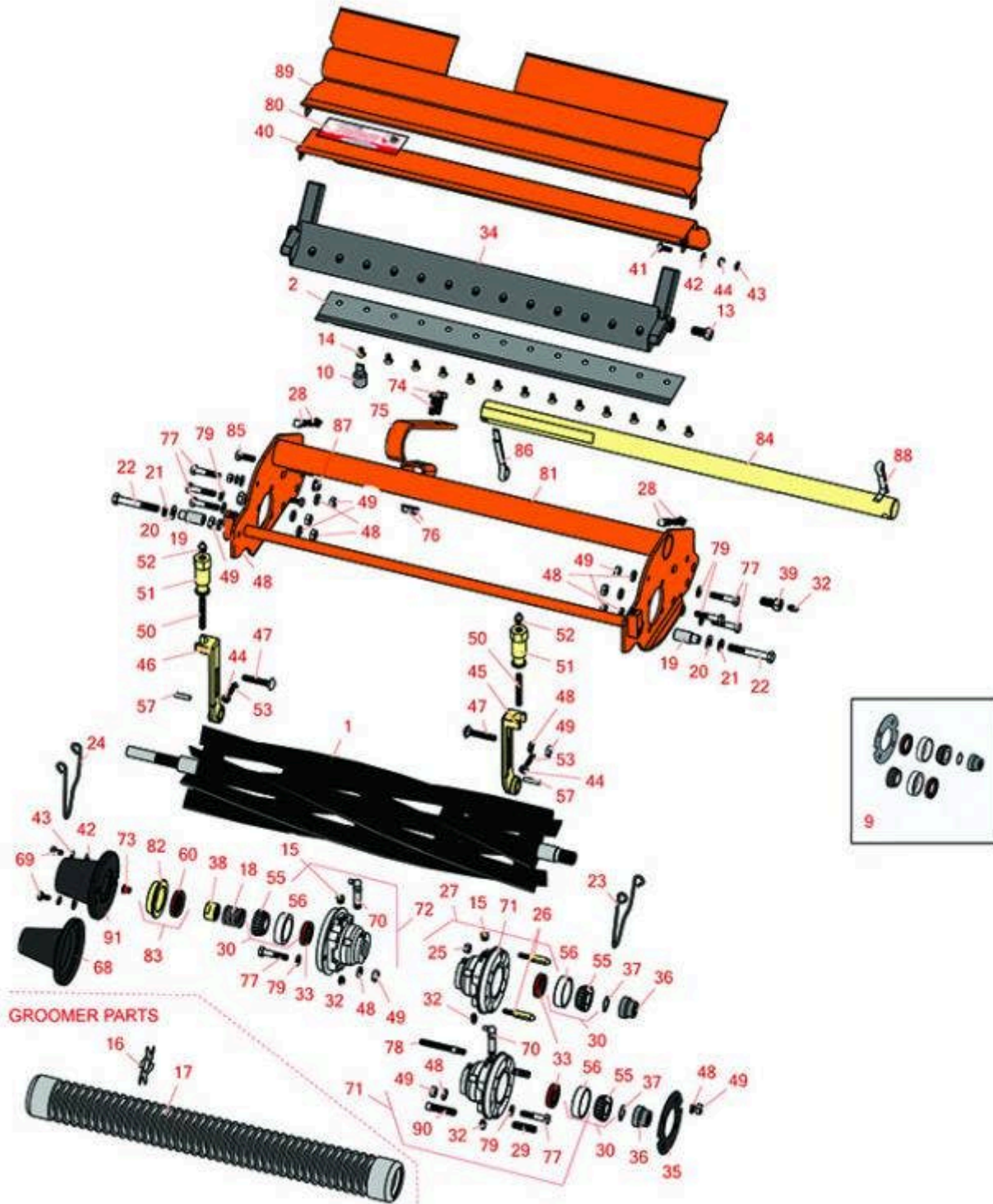




# Replaces Jacobsen LF-100 Parts

Cutting Unit  
Reel & Bedknife



All original equipment manufacturers names and part numbers are used for identification purposes only, and we are in no way implying that our products are original equipment parts. Prices subject to change without notice.



# Replaces Jacobsen LF-100 Parts

Cutting Unit  
Reel & Bedknife



Item No	R&R Part No.	OEM Part No.	Description	Qty Req	Price Each	Order Quantity
---------	--------------	--------------	-------------	---------	------------	----------------

### R&R Reels, Lifetime Guaranteed

1	R503319	5001095, 5003053, 503319	Reel - 7 Blade LH	2	267.60	
1	R503320	5001096, 5003054, 5003064, 503320	Reel - 7 Blade RH	3	267.60	
1	R503321	5001097, 503321	Reel - 5 Blade LH	2	252.30	
1	R503322	5001098, 503322	Reel - 5 Blade RH	3	252.30	
2	R503460	503257, 503460	Bedknife - 22 in 13 Hole	0	45.50	

### R&R Razor Tool Steel Bedknives, Lifetime Guaranteed

2	R101523		Bedknife - Razor Tool Steel - 22 High Cut	1	101.60	
---	---------	--	---	---	--------	--

### Overhaul Kits & Service Tools

9	R100125		Overhaul Kit - Cutting Unit	0	43.65	
<i>Tech Note: Includes 2 ea.: R336962 Seals, R254-78 Bearings, R254-79 Cups; 1 ea.:R337677 Seal, R458013 Ring, R364901Gasket, R337370 Coupling:</i>						
10	R101272T		Bedknife Screw Driver Tool	0	35.65	
<i>Tech Note: Easily install and remove bed knife screws with the help of a ratchet. Tool manufactured with hardened alloy steel.:</i>						

### Other Parts Available

13	R315298	315298	Bolt - Bed Bar	2	2.45	
14	R101272	101272, 3009138, 402578, 800813	Screw - Bedknife 1/4-20 x 1/2	13	0.35	

All original equipment manufacturers names and part numbers are used for identification purposes only, and we are in no way implying that our products are original equipment parts. Prices subject to change without notice.



# Replaces Jacobsen LF-100 Parts

Cutting Unit  
Reel & Bedknife



Item No	R&R Part No.	OEM Part No.	Description	Qty Req	Price Each	Order Quantity
15	<b>R170714</b>	170714, 471240, 471242	Fitting - Pressure Relief	2	<b>2.25</b>	
16	<b>R365230</b>	365230	Verti-Cut Blade - 2-1/2 Dia.	40	<b>1.45</b>	
17	<b>R390900</b>	390900	Roller - Grooved 2-1/2 x 22	1	<b>167.05</b>	
<i>Tech Note: Note: w/ 1/2 Spacing:</i>						
18	<b>R363047</b>	348846, 363047	Spring - Reel	1	<b>4.95</b>	
19	<b>R101525</b>	101525	Spacer - Mower Mounting Assy	2	<b>6.55</b>	
20	<b>R453011</b>	453011	Washer - Flat 3/8 SAE Y/Zinc	4	<b>0.11</b>	
21	<b>R3254-6</b>	3254-6, 446140, 446142	Washer - Lock 3/8	2	<b>0.08</b>	
22	<b>R101526</b>	101526	Bolt - Hex HD 3/8-16 x 2-1/2 GR5	2	<b>0.91</b>	
23	<b>R2810166</b>	2810166, 3010637	Clip - Spring Motor	1	<b>5.80</b>	
24	<b>R2810165</b>	2810165, 2810166, 3010236, 3010636	Clip - Spring Motor	1	<b>5.80</b>	
25	<b>R32152-4</b>	32152-4, 444708	Locknut - 1/4-20 All Metal	2	<b>0.39</b>	
26	<b>R3010296</b>	3010296	Pin - Motor Mounting	2	<b>12.95</b>	
27	<b>R1004786</b>	1004786	Housing - Bearing Quick Clip	1	<b>106.95</b>	
<i>Tech Note: Includes: R336962, R302-5, R254-79, R3010296, R32152-4 &amp; R170714:</i>						
28	<b>R412506</b>	412503, 412506	Screw - Bed Bar Adjusting	4	<b>2.45</b>	
29	<b>R101327</b>		Stud - Housing	2	<b>4.20</b>	

All original equipment manufacturers names and part numbers are used for identification purposes only, and we are in no way implying that our products are original equipment parts. Prices subject to change without notice.



# Replaces Jacobsen LF-100 Parts

Cutting Unit  
Reel & Bedknife



Item No	R&R Part No.	OEM Part No.	Description	Qty Req	Price Each	Order Quantity
<i>Tech Note: Fits R101328 Only:</i>						
30	<b>R500534</b>	500534, R500534	Bearing - with Cup	2	<b>11.80</b>	
32	<b>R302-5</b>	302-5, 471214, 471223, 471226	Fitting - Grease	2	<b>0.27</b>	
33	<b>R336962</b>	336962	Seal	2	<b>5.85</b>	
34	<b>R220278</b>	121856, 220278, 5000415	Backing Bar - Cast	1	<b>196.25</b>	
34	<b>R2000068</b>	2000068	Bed Bar	1	<b>206.50</b>	
35	<b>R364901</b>	364901	Gasket - Reel Motor	1	<b>1.35</b>	
36	<b>R4247911</b>	162567, 337370, 4247911	Coupling - Hyd Motor - Glass Filled	1	<b>5.85</b>	
36	<b>R3001720</b>	3001720	Coupler - Iron - Hyd Motor	1	<b>15.70</b>	
37	<b>R458013</b>	458013	Ring - Retaining	1	<b>0.54</b>	
38	<b>R364900</b>	364900	Nut - Reel Tension	1	<b>9.80</b>	
39	<b>R345470</b>	1002226, 345470	Bolt - Rear Roller 7/16-20	2	<b>6.90</b>	
<i>Tech Note: Incl. Grease Zerk:</i>						
40	<b>R390950</b>	126724, 2810043, 390950	Shield - Grass	1	<b>57.60</b>	
41	<b>R400106</b>	400106	Bolt - Hex HD 1/4-20 x 5/8	2	<b>0.28</b>	
42	<b>R453023</b>	453023	Washer - Flat 1/4	4	<b>0.12</b>	
43	<b>R3253-3</b>	3253-3, 446128, 446130	Washer - Lock 1/4	4	<b>0.11</b>	

All original equipment manufacturers names and part numbers are used for identification purposes only, and we are in no way implying that our products are original equipment parts. Prices subject to change without notice.



# Replaces Jacobsen LF-100 Parts

Cutting Unit  
Reel & Bedknife



Item No	R&R Part No.	OEM Part No.	Description	Qty Req	Price Each	Order Quantity
44	<b>R443102</b>	443102	Nut - 1/4-20 Yellow Zinc	2	<b>0.22</b>	
45	<b>R153979</b>	153979, 3008439	Bracket - Front Roller	1	<b>44.95</b>	
46	<b>R153980</b>	153980, 3008438	Bracket - Front Roller	1	<b>44.95</b>	
47	<b>R441674</b>	441674	Screw - 5/16-18 x 1-3/4 Carriage	2	<b>0.70</b>	
48	<b>R446136</b>	446134, 446136	Washer - Lock 5/16 Zinc	2	<b>0.14</b>	
49	<b>R443106</b>	443106	Nut - 5/16-18 Y/Zinc Plated	2	<b>0.19</b>	
50	<b>R343616</b>	343616, 443102	Stud	2	<b>7.50</b>	
51	<b>R365009</b>	3005692, 365009, 365170, 441674	Knob - Adjusting Roller	2	<b>19.40</b>	
52	<b>R471219</b>	366852, 471219	Zerk - Grease	2	<b>0.41</b>	
53	<b>R352737</b>	352737	Screw - Set 1/4 x 7/8 Sq Head	2	<b>0.69</b>	
55	<b>R254-78</b>	254-78, 385174, 4121174, 4135152	Tapered Bearing Cone	2	<b>6.05</b>	
56	<b>R254-79</b>	254-79, 4121175	Cup - Bearing	2	<b>3.20</b>	
<i>Tech Note: Use R254-79M installation mandrel to properly install race.:</i>						
57	<b>R461256</b>	461256	Pin - 1/4 x 1	2	<b>0.70</b>	
60	<b>R337677</b>	315257, 337677	Seal - Oil	1	<b>5.35</b>	
68	<b>R338675</b>	338675, 557775	Cover - Shaft End	1	<b>14.95</b>	

All original equipment manufacturers names and part numbers are used for identification purposes only, and we are in no way implying that our products are original equipment parts. Prices subject to change without notice.



# Replaces Jacobsen LF-100 Parts

Cutting Unit  
Reel & Bedknife



Item No	R&R Part No.	OEM Part No.	Description	Qty Req	Price Each	Order Quantity
69	<b>R400104</b>	400104	Bolt - Hex HD 1/4-20 x 1/2	2	<b>0.29</b>	
70	<b>R363896</b>	363896	Fitting - Grease w/Extension	2	<b>6.70</b>	
71	<b>R163396</b>	163396	Housing - Reel Brg Motor End	1	<b>100.05</b>	
<i>Tech Note: Includes: 4 ea: R361097 Stud; 1 ea: R254-79 Cup, R336962 Seal, R363896 Grease Fitting:</i>						
71	<b>R164146</b>	163679, 164146	Housing - Reel Bearing - Motor End	1	<b>100.05</b>	
<i>Tech Note: Housing has no studs, uses 2 bolts. Includes: 1 ea: R170714 Fitting, R254-79 Cup, R302-5 Fitting &amp; R336962 Seal:</i>						
71	<b>R101328</b>		Housing - Bearing Motor End	1	<b>100.05</b>	
<i>Tech Note: Includes R302-5, R336962, R170714, R101327 &amp; Cup Portion of R500534. Housing has 2 studs, uses no bolts:</i>						
72	<b>R164144</b>	1000480, 163397, 164144, 2000060	Housing - Reel Bearing	1	<b>92.25</b>	
<i>Tech Note: Includes R336962 Seal, R302-5 Zerk, R170714 Relief Fitting &amp; R254-79 Cup:</i>						
73	<b>R352132</b>	352132	Caplug - Reel Shaft End	1	<b>0.23</b>	
74	<b>R403751</b>	403751	Bolt - Serrated Washer HD	2	<b>1.30</b>	
75	<b>R354928</b>	354928	Stop - Mower	1	<b>14.55</b>	
76	<b>R445722</b>	445722	Nut - Serrated Washer	2	<b>0.66</b>	
77	<b>R400192</b>	400192	Bolt - Hex HD 5/16-18 x 1-1/2	8	<b>0.39</b>	
78	<b>R361097</b>	361097	Stud - Reel Brg Housing	1	<b>6.80</b>	
79	<b>R453009</b>	3256-23, 452004, 452006, 452008, 453009	Washer - Flat 5/16 SAE	4	<b>0.13</b>	

All original equipment manufacturers names and part numbers are used for identification purposes only, and we are in no way implying that our products are original equipment parts. Prices subject to change without notice.



# Replaces Jacobsen LF-100 Parts

Cutting Unit  
Reel & Bedknife



Item No	R&R Part No.	OEM Part No.	Description	Qty Req	Price Each	Order Quantity
80	<b>R354083</b>	354083, 361877, 4127335	Decal - Danger	1	<b>1.25</b>	
81	<b>R122685</b>	119245, 122685, 503325	Frame	1	<b>370.25</b>	
82	<b>R363814</b>	163892, 363814	Spacer - Seal	1	<b>9.50</b>	
83	<b>R163398</b>	163398, 163892	Seal - Spacer Assy	1	<b>14.95</b>	
84	<b>R364898</b>	364898	Shaft - Weight Bar	1	<b>53.95</b>	
85	<b>R400186</b>	400186	Bolt - Hex HD 5/16-18 x 7/8	1	<b>0.43</b>	
86	<b>R460080</b>	460080	Pin - Cotter 3/8 x 3	1	<b>0.70</b>	
87	<b>R445781</b>	445781	Nut - 5/16-18 Whiz	1	<b>0.39</b>	
88	<b>R460068</b>	460068	Pin - Cotter 1/4 x 2	4	<b>0.33</b>	
89	<b>R390940</b>	390940, 67780	Deflector - Rear Discharge	1	<b>44.50</b>	
90	<b>R441812</b>	441812	Screw - 3/8-1-1/2 Sq HD Set	2	<b>0.87</b>	
91	<b>R2000065</b>	2000065	Weight - Counter	1	<b>27.10</b>	

All original equipment manufacturers names and part numbers are used for identification purposes only, and we are in no way implying that our products are original equipment parts. Prices subject to change without notice.