

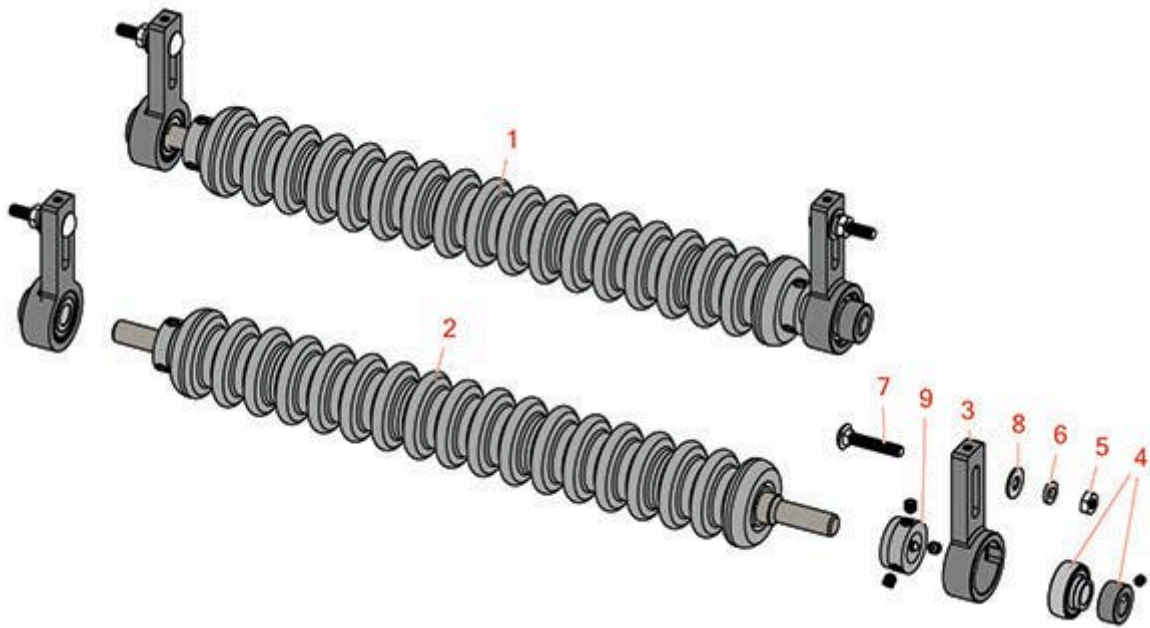


# Replaces Jacobsen Greens King 422

## Parts

*Cutting Unit*

*Minuteman Front Roller System*



All original equipment manufacturers names and part numbers are used for identification purposes only, and we are in no way implying that our products are original equipment parts. Prices subject to change without notice.



# Replaces Jacobsen Greens King 422

## Parts

Cutting Unit

Minuteman Front Roller System



Item No	R&R Part No.	OEM Part No.	Description	Qty Req	Price Each	Order Quantity
---------	--------------	--------------	-------------	---------	------------	----------------

### Complete Minuteman Roller Systems

1	<b>RMJ2201</b>		Minuteman Front 22" Grooved Roller System	0	<b>354.15</b>	
---	----------------	--	---	---	---------------	--

*Tech Note: Complete roller systems include roller and two brackets with bearings.:*

1	<b>RMJ2401</b>		Minuteman Front 18" Grooved Roller System	0	<b>354.15</b>	
---	----------------	--	---	---	---------------	--

*Tech Note: Complete roller systems include roller and two brackets with bearings.:*

### Minuteman Rollers Only

2	<b>RM511</b>		Minuteman Grooved Roller Only - 22 in	1	<b>276.20</b>	
---	--------------	--	---------------------------------------	---	---------------	--

*Tech Note: Use with Minuteman Roller Bracket System Only:*

2	<b>RM5050</b>		Minuteman Grooved Roller Only - 18 in	1	<b>276.20</b>	
---	---------------	--	---------------------------------------	---	---------------	--

*Tech Note: Use with Minuteman Roller Bracket System Only:*

### Other Parts Available

3	<b>RJ221</b>		Bracket - Front LH / RH	2	<b>82.40</b>	
---	--------------	--	-------------------------	---	--------------	--

4	<b>RMMB157</b>		Bearing w/Locking Collar	2	<b>20.95</b>	
---	----------------	--	--------------------------	---	--------------	--

5	<b>R443106</b>	443106	Nut - 5/16-18 Y/Zinc Plated	2	<b>0.19</b>	
---	----------------	--------	-----------------------------	---	-------------	--

6	<b>R446136</b>	446134, 446136	Washer - Lock 5/16 Zinc	2	<b>0.14</b>	
---	----------------	-------------------	-------------------------	---	-------------	--

7	<b>R441674</b>	441674	Screw - 5/16-18 x 1-3/4 Carriage	2	<b>0.70</b>	
---	----------------	--------	----------------------------------	---	-------------	--

8	<b>R310266</b>	310266, 452004, 452006, 452008	Washer - Flat 5/16 USS	2	<b>0.23</b>	
---	----------------	---	------------------------	---	-------------	--

9	<b>RMM3</b>		End Hub - 7/8 ID	2	<b>9.85</b>	
---	-------------	--	------------------	---	-------------	--

All original equipment manufacturers names and part numbers are used for identification purposes only, and we are in no way implying that our products are original equipment parts. Prices subject to change without notice.