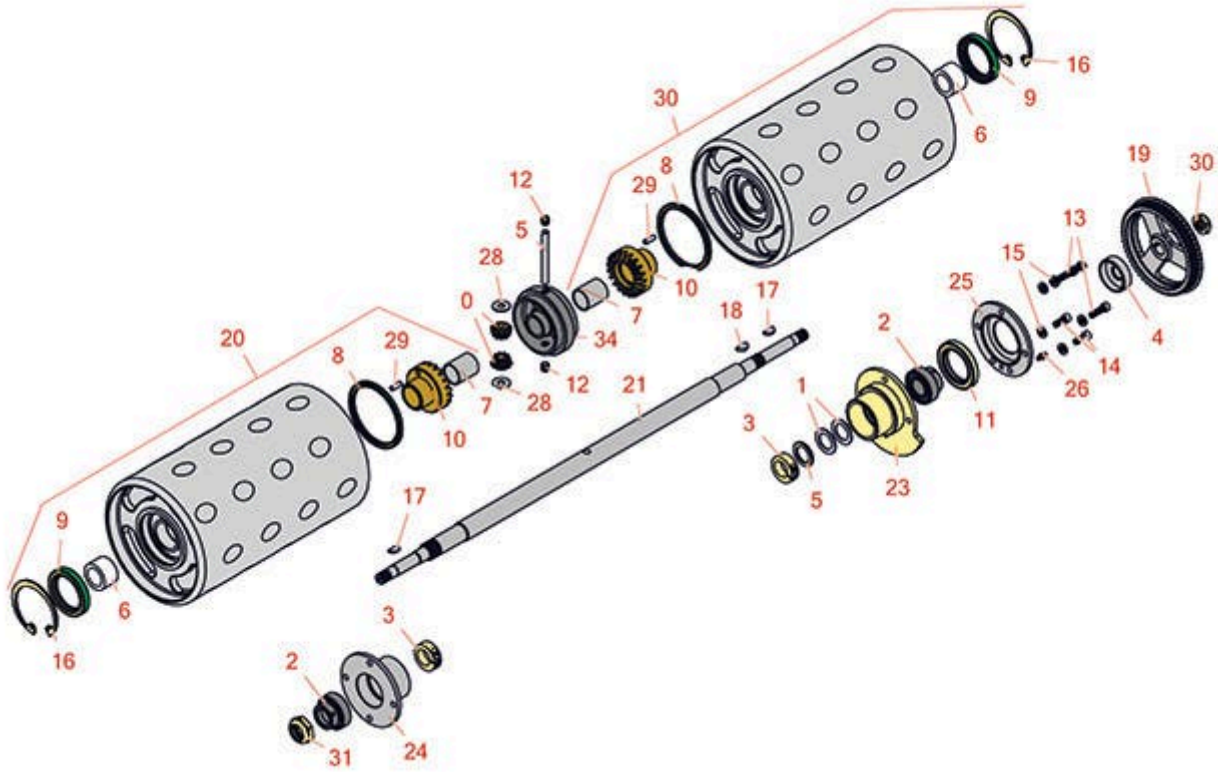




# Replaces Jacobsen Eclipse 126 Parts

Traction Unit  
Differential



All original equipment manufacturers names and part numbers are used for identification purposes only, and we are in no way implying that our products are original equipment parts. Prices subject to change without notice.



# Replaces Jacobsen Eclipse 126 Parts

Traction Unit

Differential

OEM



Item No	R&R Part No.	OEM Part No.	Description	Qty Req	Price Each	Order Quantity
1	<b>R202947</b>	202947	Gear - Pinion	2	<b>11.75</b>	
2	<b>R241836</b>	241836	Gear - Differential	2	<b>69.65</b>	
3	<b>R3004484</b>	3004484	Pulley - 56 Tooth	1	<b>212.75</b>	
4	<b>R302-5</b>	302-5, 471214, 471223, 471226	Fitting - Grease	1	<b>0.27</b>	
5	<b>R308028</b>	308028	Pin - Hardened Traction Shaft	1	<b>11.20</b>	
6	<b>R308030</b>	308030	Thrust Washer - 3/8 x 1	2	<b>2.75</b>	
7	<b>R319085</b>	319085	Pin - Gear	2	<b>2.35</b>	
8	<b>R3296-15</b>	3296-15, 367029, 444742	Locknut - 3/4-16 Nylon Jam	1	<b>2.15</b>	
9	<b>R3296-49</b>	2810096	Locknut - 1 in 14	1	<b>2.95</b>	
10	<b>R361451</b>	361451	Flat Washer 1 x 1-1/2 Hardened Thrust	2	<b>3.45</b>	
11	<b>R366693</b>	366693	Bearing - Differential	2	<b>24.15</b>	
12	<b>R366695</b>	366695	Locking Collar	2	<b>17.90</b>	
14	<b>R366696</b>	366696	Spacer - Differential	1	<b>45.25</b>	
15	<b>R366697</b>	366697	Spacer - Bronze Thrust	2	<b>3.85</b>	
16	<b>R366698</b>	366698	Bushing - Drum	2	<b>22.15</b>	
17	<b>R366699</b>	366699	Bushing - Differential	2	<b>18.80</b>	
18	<b>R366700</b>	366700	Seal - Grease	2	<b>15.05</b>	
19	<b>R366701</b>	366701	Seal - Grease	2	<b>10.95</b>	
20	<b>R366702</b>	366702	Seal - Oil	1	<b>8.75</b>	
21	<b>R415563</b>	415563	Set Screw - 7/16-20 x 3/8	2	<b>2.30</b>	

All original equipment manufacturers names and part numbers are used for identification purposes only, and we are in no way implying that our products are original equipment parts. Prices subject to change without notice.



# Replaces Jacobsen Eclipse 126 Parts

*Traction Unit*

*Differential*



Item No	R&R Part No.	OEM Part No.	Description	Qty Req	Price Each	Order Quantity
22	<b>R434004</b>	434003, 434004	Screw - Soc HD 5/16-18 x 1	3	<b>1.85</b>	
23	<b>R434024</b>	434024	Bolt - Soc HD Cap 5/16-18 x 3/4	2	<b>1.25</b>	
24	<b>R446136</b>	446134, 446136	Washer - Lock 5/16 Zinc	5	<b>0.14</b>	
25	<b>R458127</b>	458127	Snap Ring	2	<b>7.65</b>	
26	<b>R463007</b>	463007	Key	2	<b>0.67</b>	
27	<b>R463017</b>	463017	Key - Woodruff	1	<b>0.62</b>	
30	<b>R1000027</b>	1000027	Dimpled Roller - Fits 26 in	2	<b>895.25</b>	
31	<b>R395418</b>	395418	Roller Shaft - Fits 26 in	1	<b>293.65</b>	
34	<b>R241835</b>	241835	Differential	1	<b>239.75</b>	
35	<b>R220318</b>	220318	Bearing Housing - Differential	1	<b>106.95</b>	
36	<b>R220319</b>	220319	Bearing Housing - Differential	1	<b>83.55</b>	
37	<b>R164057</b>	164057	Seal Cover	1	<b>48.35</b>	

All original equipment manufacturers names and part numbers are used for identification purposes only, and we are in no way implying that our products are original equipment parts. Prices subject to change without notice.