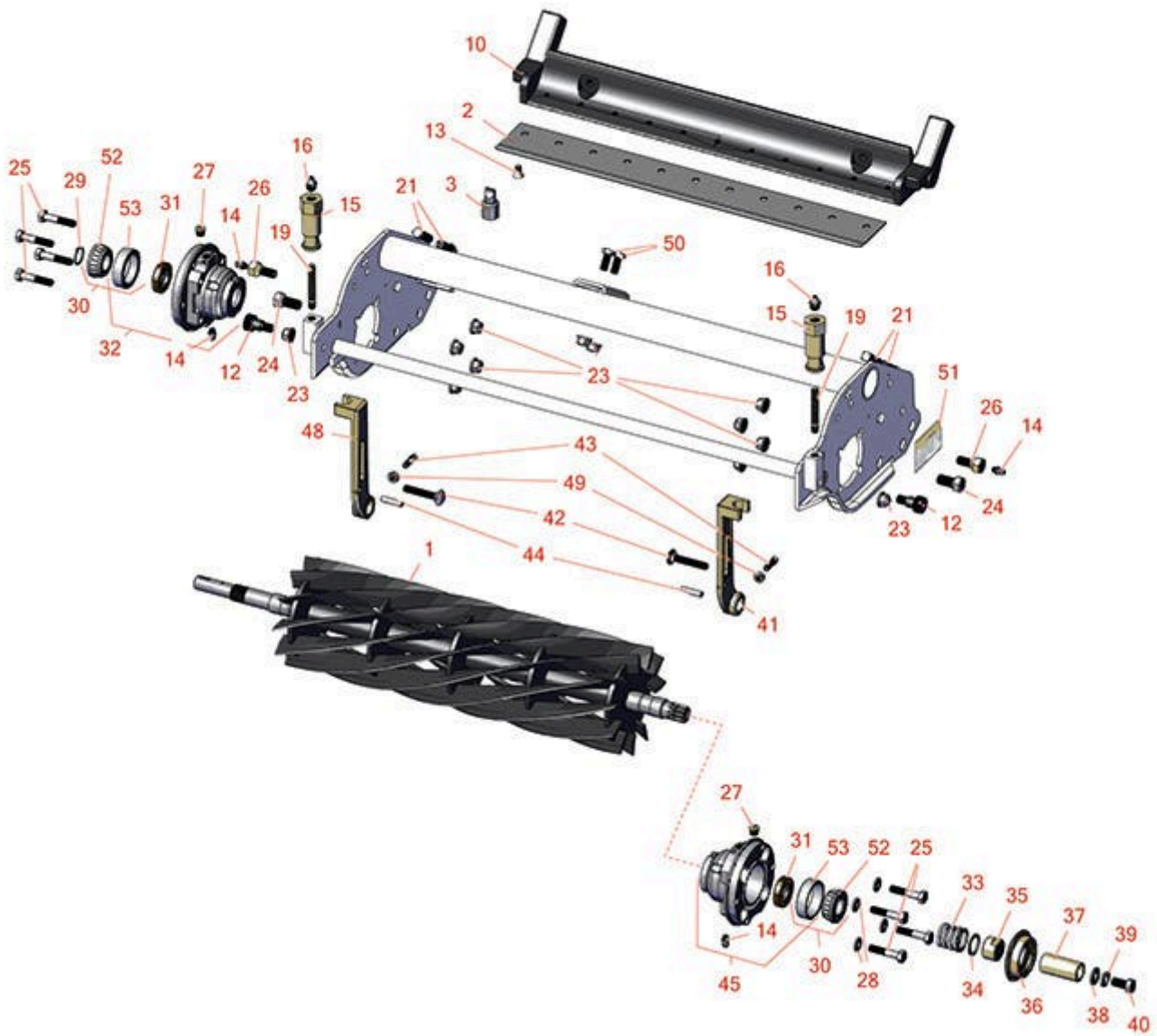




Replaces Jacobsen Eclipse 118F Parts

Floating Head Cutting Unit
Reel & Bedknife



All original equipment manufacturers names and part numbers are used for identification purposes only, and we are in no way implying that our products are original equipment parts. Prices subject to change without notice.



Replaces Jacobsen Eclipse 118F Parts

Floating Head Cutting Unit
Reel & Bedknife



Item No	R&R Part No.	OEM Part No.	Description	Qty Req	Price Each	Order Quantity
---------	--------------	--------------	-------------	---------	------------	----------------

R&R Reels, Lifetime Guaranteed

1	R4170220	4170220	Reel - 11 Blade 18 in	1	292.25	
---	-----------------	---------	-----------------------	---	---------------	--

R&R Bedknives, Lifetime Guaranteed

2	R5000098	5000098	Bedknife - Low Cut 18 in	1	44.50	
2	R5002888	5001056, 5002888	Bedknife - Tournament 18" - .082- .109	1	47.55	

Service Tools

3	R101272T		Bedknife Screw Driver Tool	0	35.65	
---	-----------------	--	----------------------------	---	--------------	--

Tech Note: Easily install and remove bed knife screws with the help of a ratchet. Tool manufactured with hardened alloy steel.:

Other Parts Available

10	R2811055	2811055	Bed Bar	1	163.45	
12	R365246	365246	Bolt - Shoulder w/Nyloc Patch	2	10.60	
13	R101272	101272, 3009138, 402578, 800813	Screw - Bedknife 1/4-20 x 1/2	13	0.35	
14	R302-5	302-5, 471214, 471223, 471226	Fitting - Grease	1	0.27	
15	R365009	3005692, 365009, 365170, 441674	Knob - Adjusting Roller	2	19.40	
16	R471219	366852, 471219	Zerk - Grease	2	0.41	
19	R343616	343616, 443102	Stud	2	7.50	

All original equipment manufacturers names and part numbers are used for identification purposes only, and we are in no way implying that our products are original equipment parts. Prices subject to change without notice.



Replaces Jacobsen Eclipse 118F Parts

Floating Head Cutting Unit
Reel & Bedknife



Item No	R&R Part No.	OEM Part No.	Description	Qty Req	Price Each	Order Quantity
21	R412506	412503, 412506	Screw - Bed Bar Adjusting	4	2.45	
23	R445795	445795	Nut - 5/16-18 Flanged	8	0.26	
24	R315298	315298	Bolt - Bed Bar	2	2.45	
25	R400192	400192	Bolt - Hex HD 5/16-18 x 1-1/2	8	0.39	
26	R1002224	1002224	Bolt - Rear Roller 3/8-24	2	7.40	
<i>Tech Note: Incl Grease Zerk:</i>						
27	R170714	170714, 471240, 471242	Fitting - Pressure Relief	1	2.25	
28	R453009	3256-23, 452004, 452006, 452008, 453009	Washer - Flat 5/16 SAE	4	0.13	
29	R458013	458013	Ring - Retaining	1	0.54	
30	R500534	500534, R500534	Bearing - with Cup	1	11.80	
31	R336962	336962	Seal	1	5.85	
32	R1004756	1004756	Housing - Bearing Drive End	1	92.25	
<i>Tech Note: Includes: R336962 Seal, R170714 Fitting, R302-5 Zerk & R254-79 Cup:</i>						
33	R5002151	5002151	Hardware Kit - Spring/Washer	1	5.45	
<i>Tech Note: Includes 1 ea: R304745 Washer, R363047 Spring:</i>						
34	R304745	304745	Washer - Reel	1	0.70	
35	R364900	364900	Nut - Reel Tension	1	9.80	
36	R163398	163398, 163892	Seal - Spacer Assy	1	14.95	

All original equipment manufacturers names and part numbers are used for identification purposes only, and we are in no way implying that our products are original equipment parts. Prices subject to change without notice.



Replaces Jacobsen Eclipse 118F Parts

Floating Head Cutting Unit
Reel & Bedknife



Item No	R&R Part No.	OEM Part No.	Description	Qty Req	Price Each	Order Quantity
37	R367164	367164	Spacer - Reel	1	5.40	
38	R453011	453011	Washer - Flat 3/8 SAE Y/Zinc	1	0.11	
39	R3254-6	3254-6, 446140, 446142	Washer - Lock 3/8	1	0.08	
40	R400294	400294	Screw - 3/8 24 x 3/4 Hex C/Zinc	1	1.40	
41	R153979	153979, 3008439	Bracket - Front Roller	1	44.95	
42	R441674	441674	Screw - 5/16-18 x 1-3/4 Carriage	2	0.70	
43	R352737	352737	Screw - Set 1/4 x 7/8 Sq Head	2	0.69	
44	R461256	461256	Pin - 1/4 x 1	1	0.70	
45	R164144	1000480, 163397, 164144, 2000060	Housing - Reel Bearing	1	92.25	
<i>Tech Note: Includes R336962 Seal, R302-5 Zerk, R170714 Relief Fitting & R254-79 Cup:</i>						
48	R153980	153980, 3008438	Bracket - Front Roller	1	44.95	
49	R443102	443102	Nut - 1/4-20 Yellow Zinc	4	0.22	
50	R400184	400184, 400194	Screw - 5/16-18 x 3/4 Hex	2	0.62	
51	R1000997	1000997	Decal - Warning	1	1.65	
52	R254-78	254-78, 385174, 4121174, 4135152	Tapered Bearing Cone	2	6.05	
53	R254-79	254-79, 4121175	Cup - Bearing	2	3.20	

All original equipment manufacturers names and part numbers are used for identification purposes only, and we are in no way implying that our products are original equipment parts. Prices subject to change without notice.



Replaces Jacobsen Eclipse 118F Parts

*Floating Head Cutting Unit
Reel & Bedknife*



Item No	R&R Part No.	OEM Part No.	Description	Qty Req	Price Each	Order Quantity
---------	--------------	--------------	-------------	---------	------------	----------------

Tech Note: Use R254-79M installation mandrel to properly install race.:

All original equipment manufacturers names and part numbers are used for identification purposes only, and we are in no way implying that our products are original equipment parts. Prices subject to change without notice.