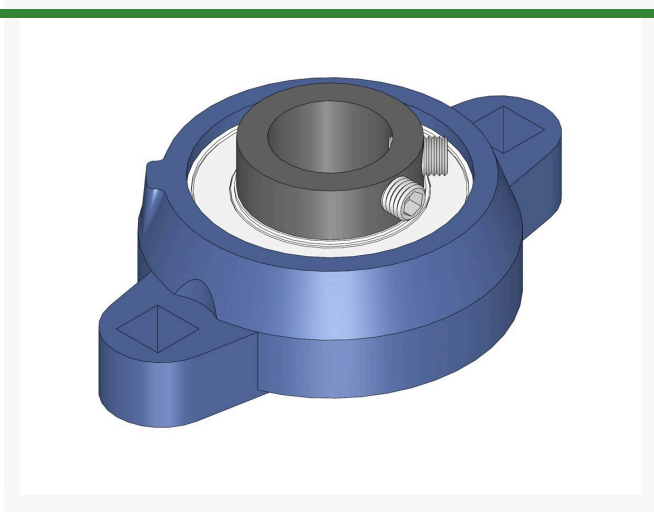




Bearing - Flange

R361441



Replaces
Jacobsen 361441

Specifications
Manufacturer R&R Products

Fits Models
Jacobsen HF-5