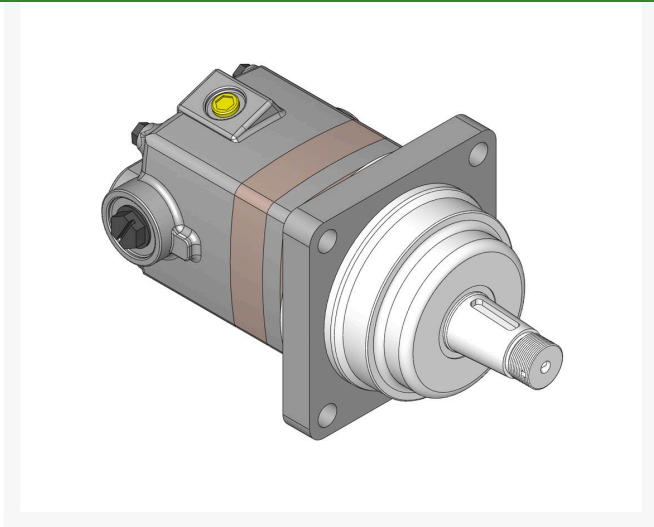




Hydraulic Motor - Wheel Front

R36-5610



Replaces

R&R Products

R29-1010, R33-3400,
R33-3490, R33-3520,
R33-3590, R56-6800

Toro

29-1010, 33-3400,
33-3490, 33-3520,
33-3590

Specifications

Manufacturer

R&R Products

R&R Products Inc

3334 E Milber St Tucson, 85714

800-528-3446

<https://www.rrproducts.com/>