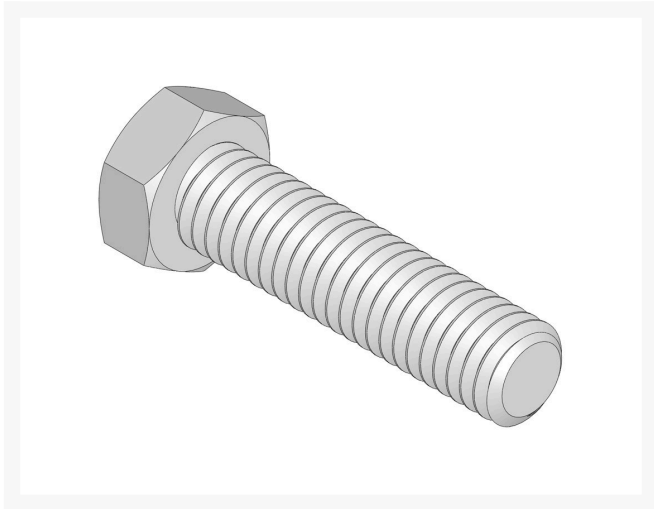




Bolt - 3/8-16 x 1-1/2

R323-50



Replaces

Exmark	323-50
John Deere	19H3124
Toro	323-50

Specifications

Manufacturer	R&R Products
--------------	--------------

Fits Models

- John Deere Aercore 800
- Toro Groundsmaster 325-D
- Toro Groundsmaster 328-D
- Toro Reelmaster 223D
- Toro Reelmaster 5100-D
- Toro Reelmaster 5300-D
- Toro Reelmaster 5400D
- Toro Z Master Professional 6000
- Toro TimeCutter 4200C
- Toro TimeCutter 4275C
- Toro TimeCutter 5000
- Toro TimeCutter 5000C
- Toro TimeCutter MX 5000
- Toro Titan 5400C
- Toro Titan MX 4880
- Toro Titan MX 5400
- Toro Titan MX 5480
- Toro Titan MX 6000
- Toro Titan MX 6080
- Toro Titan ZX 4800
- Toro Titan ZX 4820
- Toro Titan ZX 5400
- Toro Titan ZX 5420
- Toro Titan ZX 6000
- Toro Titan ZX 6020
- Toro TimeCutter MX 4260
- Toro TimeCutter MX 5060
- Toro TimeCutter SS 4235

R&R Products Inc

3334 E Milber St Tucson, 85714
800-528-3446

<https://www.rrproducts.com/>



Bolt - 3/8-16 x 1-1/2

R323-50



Toro TimeCutter SS 4260
Toro TimeCutter SS 5000
Toro TimeCutter SS 5035
Toro TimeCutter SS 5060
Toro TimeCutter ZS 4200
Toro TimeCutter ZS 4200TF
Toro TimeCutter ZS 5000TF
Exmark Staris S-Series
Exmark Quest Drive Series

R&R Products Inc

3334 E Milber St Tucson, 85714
800-528-3446

<https://www.rrproducts.com/>